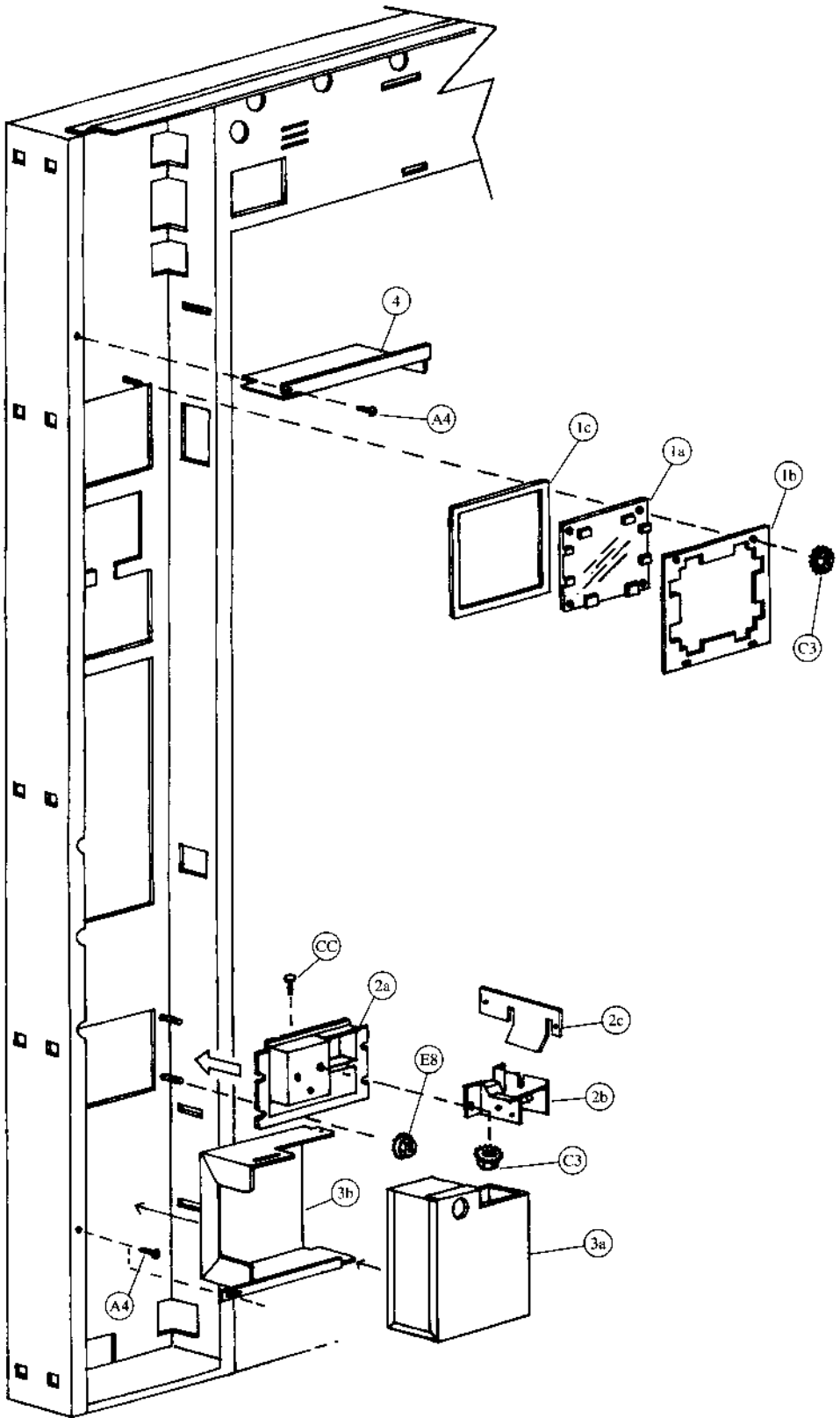


Coke (Landscape) DNCB 180CC

Dimensions	56 1/16" H x 28 5/16" W x 30 1/2" D (1440mm H x 719mm W x 775mm D)
Dimensions Less Door	56 1/16" H x 28 5/16" W x 27 1/2" D (1440mm H x 719mm W x 698mm D)
Approximate Weight	464 lbs. (211kg)
Selections/Columns	5/5
Total 12 oz. (330ml) Cans Capacity/Vend	190/180
Column Capacity 12 oz. (330ml) Cans	5 Double Columns - 38 Each

Main Door - Interior (A) - Coke (Landscape)

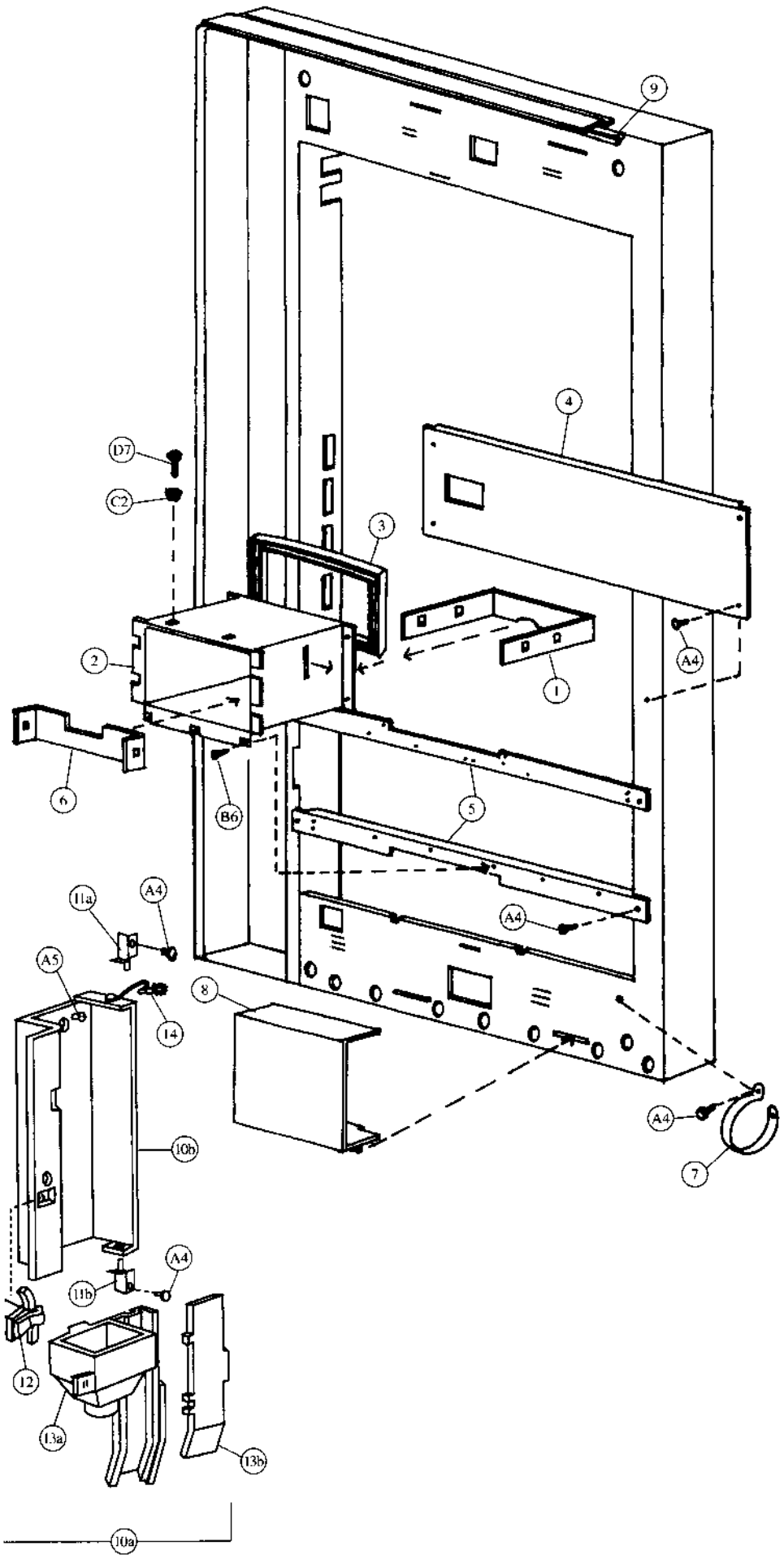


Main Door - Interior (A) - Coke (Landscape)

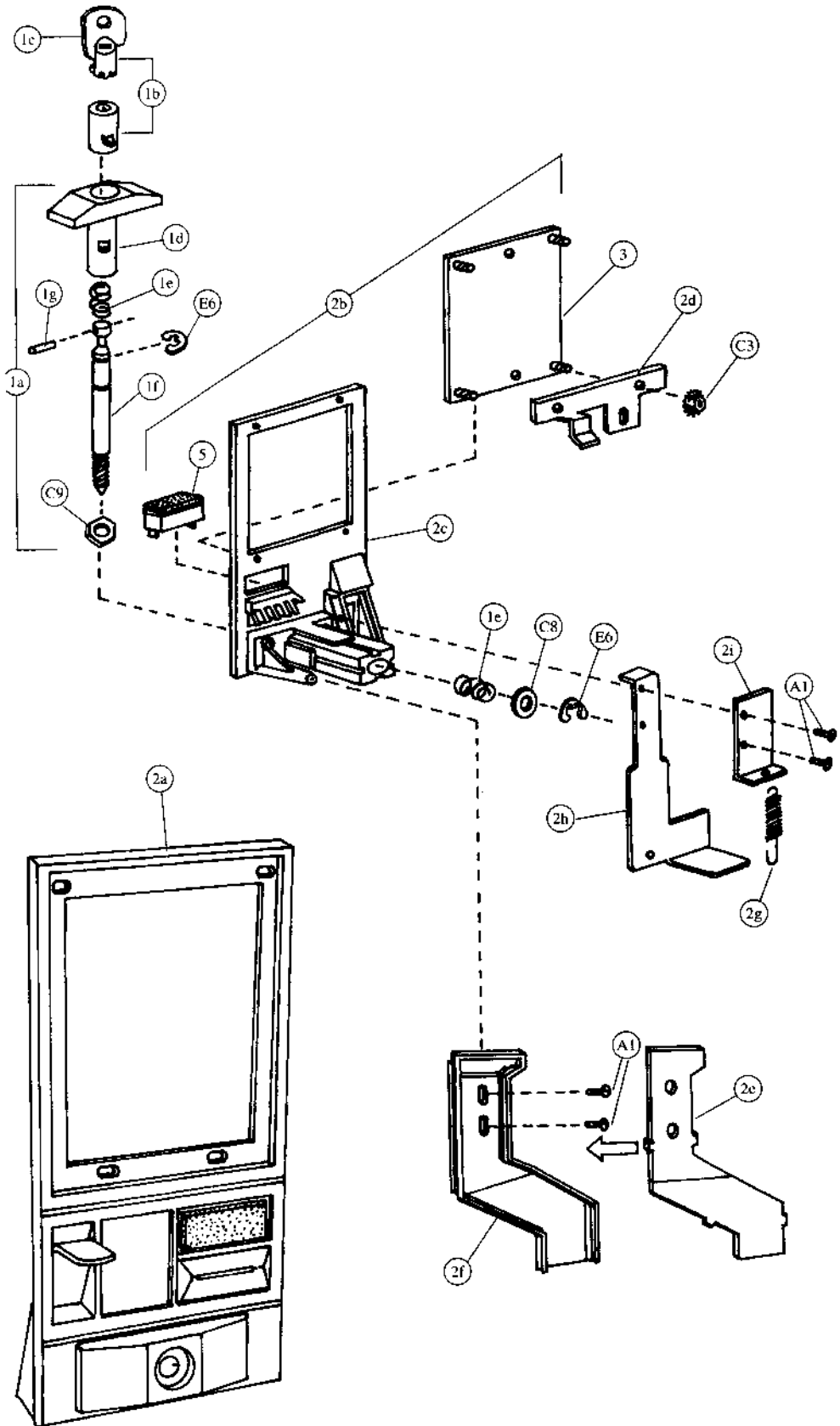
Item	Part Number	Part Name And Description
1a	801,806,930.01	Point Of Sale Window
1b	432,050,470.23	Point Of Sale Window Retainer
1c	902,001,030.01	Point Of Sale Window Gasket
1d	See list below	Point Of Sale Card (not shown)
	803,822,900.01	12 oz. Can (US & Canada)
	803,826,180.01	12 oz. Can (all others)
	803,826,360.01	"Coke Is It" (Taiwan)
	903,829,220.01	Minute Maid
	803,830,000.01	20 oz. Bottle
	803,829,230.11	16 oz. Bottle
	803,822,190.01	10 oz. Bottle
2a	801,805,610.11	Change Cup & Opener Bezel
2b	801,805,530.11	Change Cup
2c	399,050,270.13	Opener Housing Reinforcement Plate
3a	445,050,800.03	Lockable Cash Box, w/a
3b	445,050,170.23	Cash Box Shelf
4	432,050,340.43	Security Shelf
5	521,050,050.13	P.O.S. Window Security Channel (not shown)
6	901,000,190.01	Crown Puller (not shown)
7	432,050,400.03	Crown Catcher (not shown)
8	432,050,280.23	Crown Chute (not shown)

CC	901,201,220.11	Screw, Machine #8 - 32 x 3/4
E8	900,800,510.01	Elastic Stop Nut #8 - 32
B6	900,301,650.01	Screw, Phil Pan (with washer) #8 - 18 x 1/2 (not shown) (2)
C3	900,800,500.01	Keps Nut #8 - 32 (9)
B4	900,201,140.01	Screw, Machine Truss #10 - 32 1/2 (2)
A4	900,301,500.01	Screw, Phil Pan (without washer) #8 x 18 x 1/2

Main Door - Interior (B) - Coke (Landscape)



Pull-Out Handle & Coin Insert - Coke (Landscape)

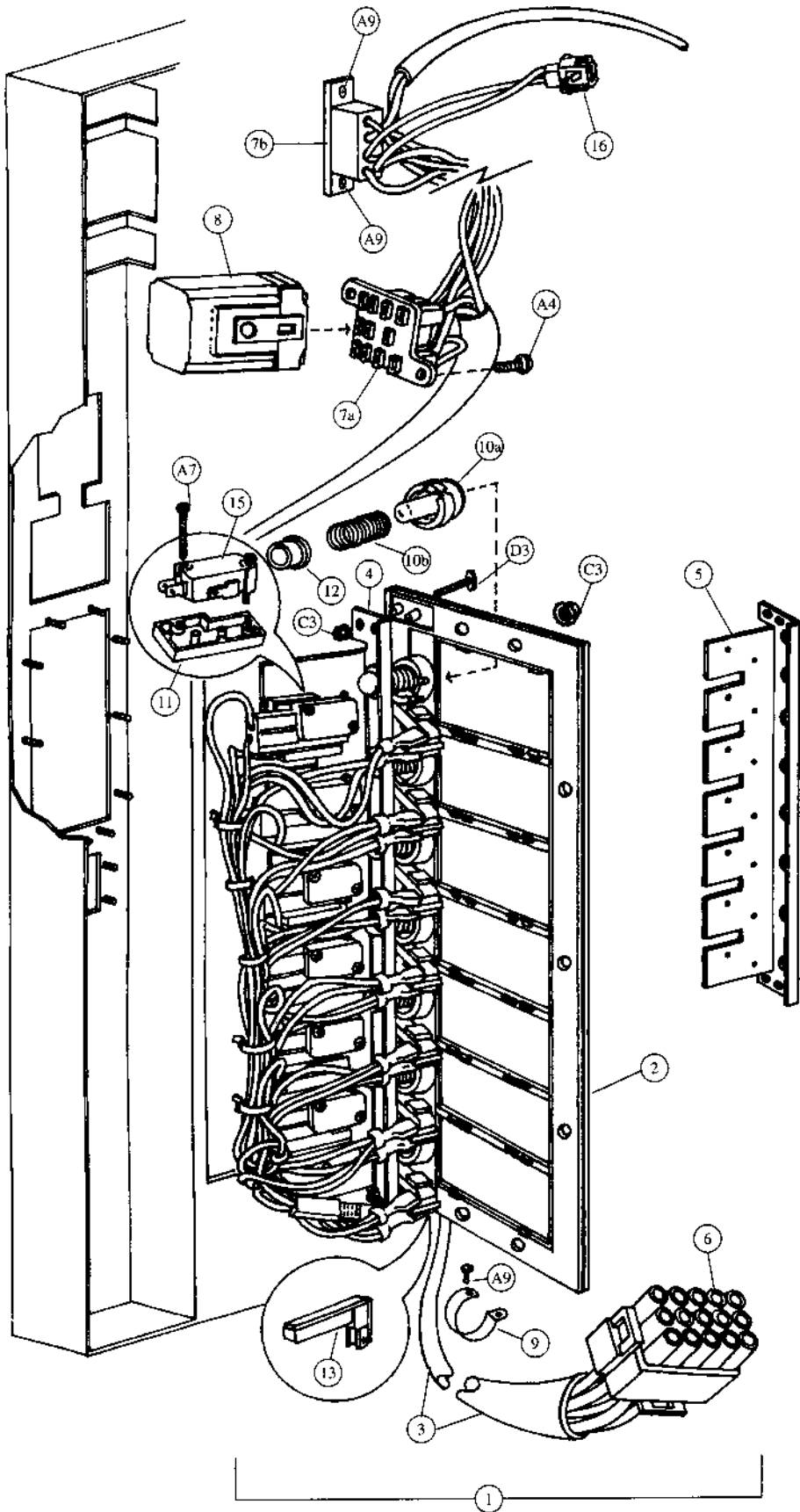


Pull-Out Handle & Coin Insert - Coke (Landscape)

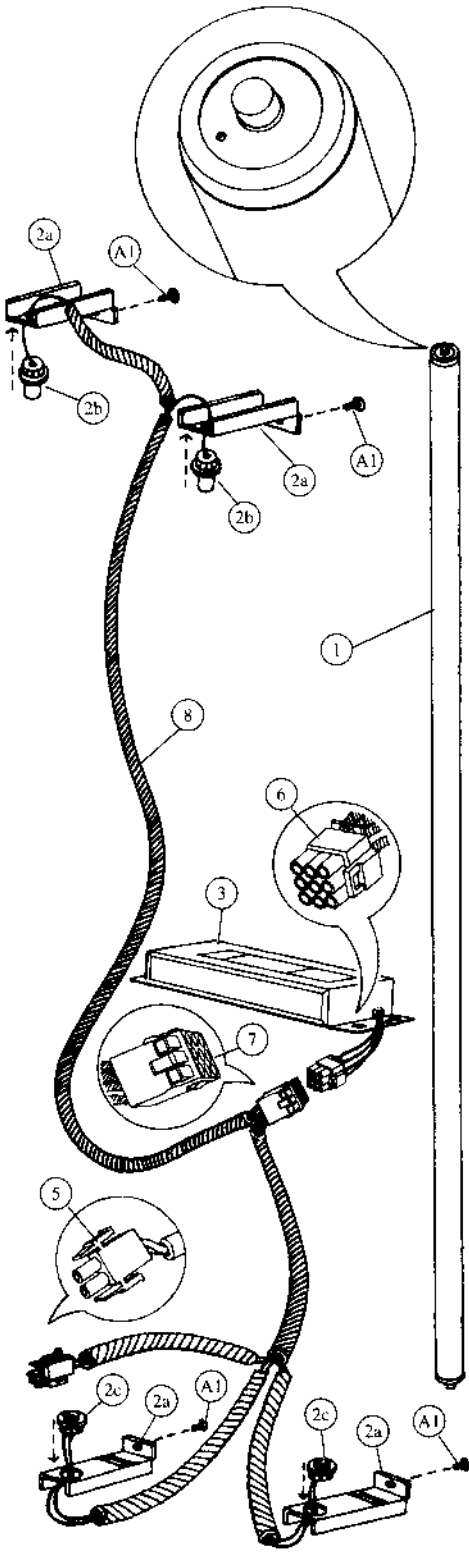
Item	Part Number	Part Name And Description
1a	801,503,040.01	T Handle Assembly
1b	Specify key number	Lock with Two Keys
1c	Specify key number	Key Only
1d	801,505,730.01	Handle Only
1e	901,503,050.01	Spring
1f	4255-6-44W	Stud
1g	901,503,090.11	Cross Pin
2a	See list below	Complete Coin Insert Kit with T Handle
	491,010,800.04	Domestic (USA and Canada)
	Not applicable	Export (All others except listed below)
	Not applicable	Mexico
	Not applicable	Argentina - Token
2b	See list below	Complete Coin Insert Kit without T Handle
	491,050,500.03	Domestic (USA and Canada)
	491,150,500.03	Export (All others except listed below)
	480,350,500.03	Mexico
	480,550,500.03	Argentina - Token
2c	See list below	Coin Insert Only
	801,201,160.41	Domestic (USA and Canada)
	801,201,170.21	Export (All others except listed below)
	801,201,280.11	Mexico
	801,201,270.21	Argentina - Token
2d	453,050,130.83	Coin Insert Retainer
2e	801,805,800.31	Coin Chute Cover
2f	801,805,790.61	Coin Chute
2g	901,700,630.11	Spring Extension
2h	453,050,800.03	Coin Return Plunger Assembly
2i	432,050,570.33	Plunger Bracket
3	432,050,210.23	Validator Plate
4	See list below	Instruction Label (not shown)
	803,822,940.01	English
	903,832,680.01	Irish
	803,825,760.01	Spanish
	803,825,410.01	French
	803,825,750.01	Italian
	803,825,740.01	German
5	See list below	Correct Change Lamp
	904,700,180.31	English "Use Correct Change"
	804,700,500.01	English, IEC Standard "Use Correct Change"
	804,700,440.01	Spanish "Importe Exacto"
	804,700,450.01	French "Faites L'Appoint"
	804,700,400.21	Italian "Usare Monete Contate"
	804,700,470.21	Turkish "Lutfen Para Atiniz"
	804,700,480.21	German "Abgezahltes Geld Verwendeb"
	904,700,490.11	Portuguese "Introduza Quantia Exacta"
6	801,806,080.11	Drip Chute (not shown)

E6	901,503,070.01	E Ring (2)
C8	901,503,060.01	Flat Washer
C9	901,503,080.01	Hex Washer
A1	900,301,700.01	Sems Screw #6-32 x 3/8 (4)
C3	900,800,500.01	Keys Nut #8-32 (4)

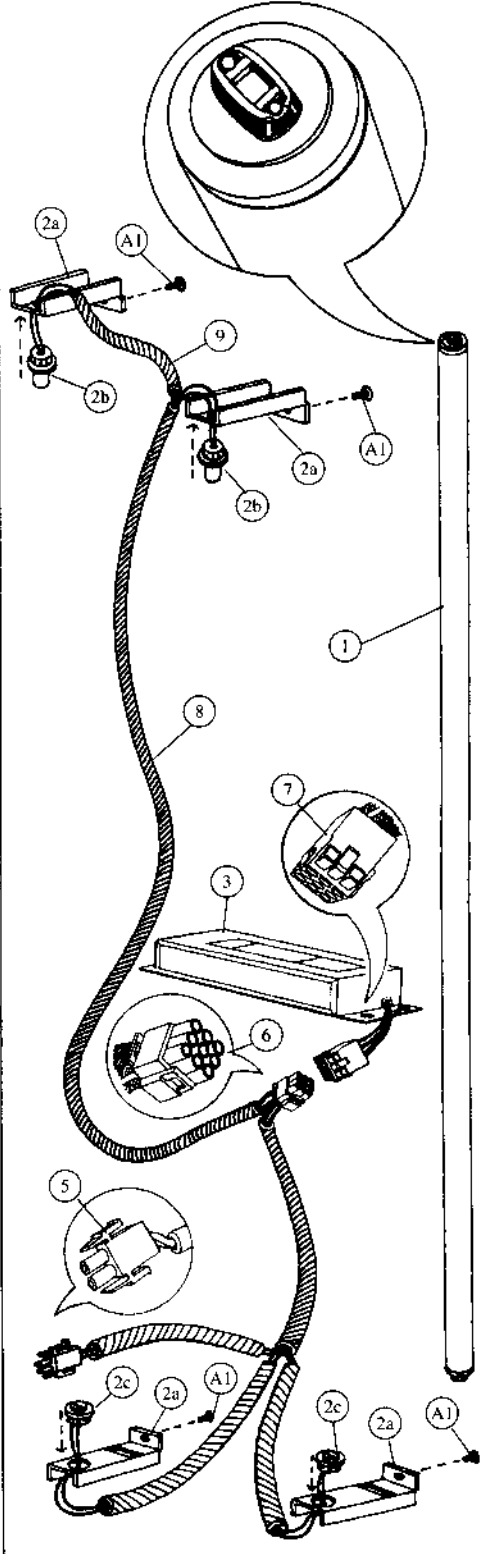
Select Panel - Coke (Landscape)



Lighting - Coke (Landscape)



Slimline



High-Output

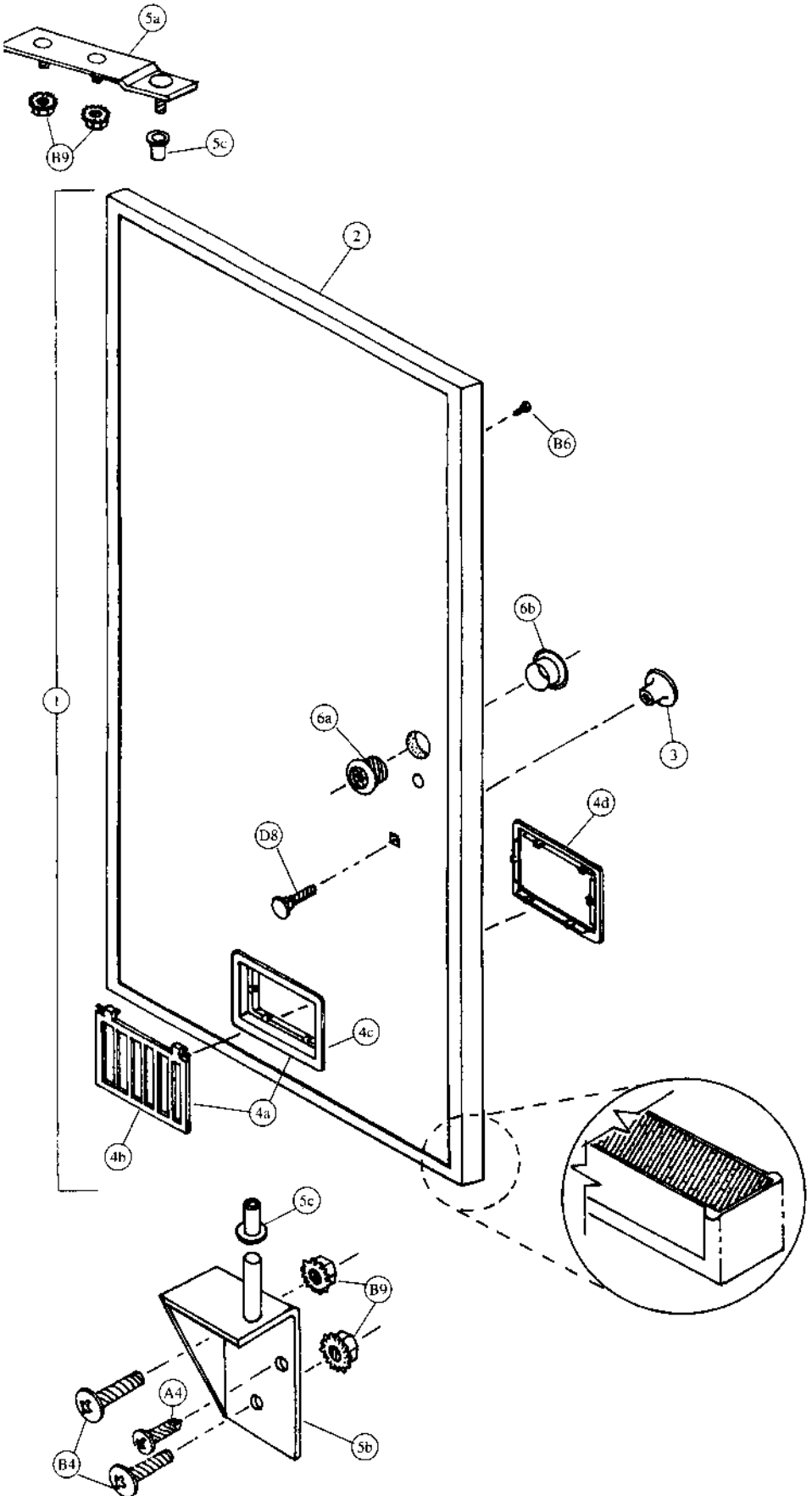
Lighting - Coke (Landscape)

Item	Part Number	Part Name And Description
High-Output Lighting		
1	804,700,390.01	Fluorescent Bulb - F48T/HO
2a	432,050,380.63	Door Bracket Lamp Socket
2b	804,901,990.01	Top Lamp Holders - 523
2c	804,902,000.01	Bottom Lamp Holders - 524
3	804,400,380.01	Plug-In Ballast, Advance #VSM/HO
4	904,800,520.01	Connector, Electrical (not shown) (scotchlock 557)
5	904,600,710.01	2-Way Plug
6	904,600,670.01	9-Way Plug
7	904,600,660.01	9-Way Cap
8	804,904,510.21	Plug-In Ballast Harness, High Output
9	804,904,920.11	Lamp Fixture Jumper, High Output

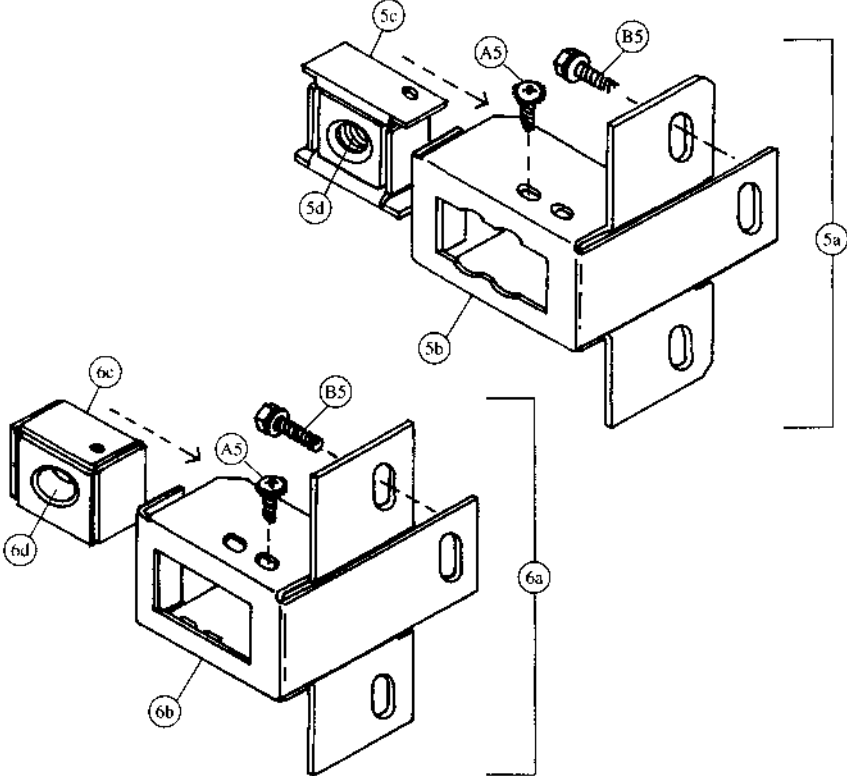
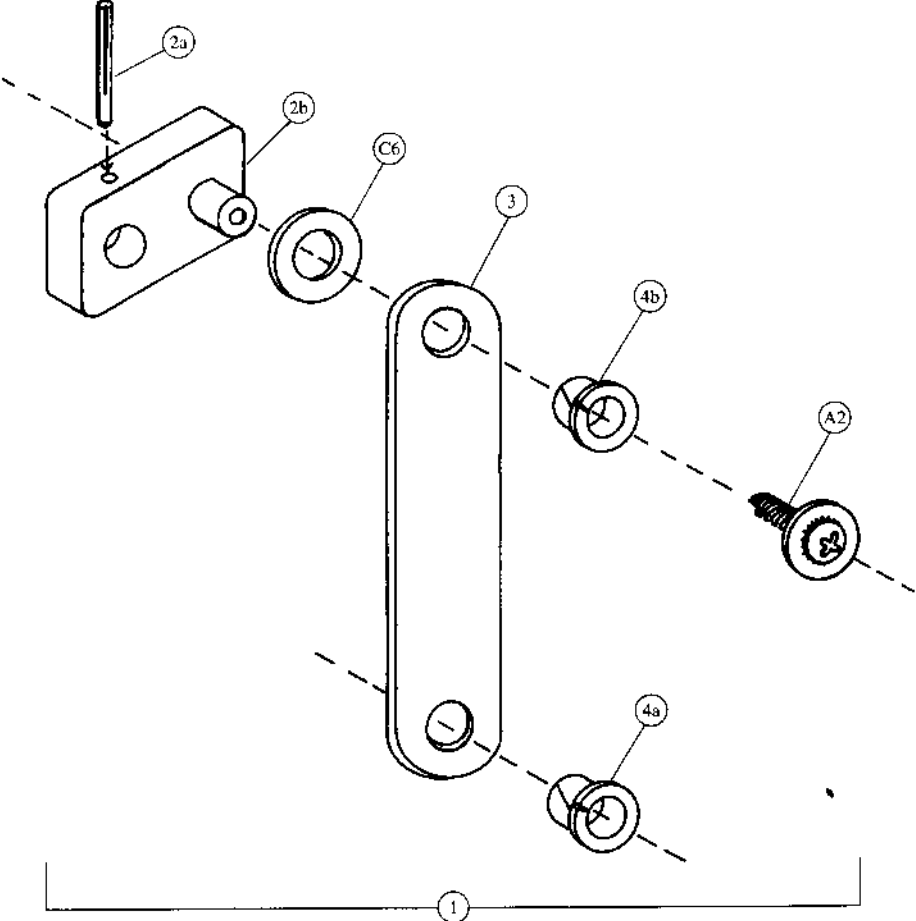
Slimline Lighting		
1	804,700,330.01	Fluorescent Bulb - F48 Slimline
2a	432,050,380.63	Door Bracket Lamp Socket
2b	804,902,020.01	Top Lamp Holders - 516
2c	804,902,030.01	Bottom Lamp Holders - 517
3	804,400,390.01	Plug-In Ballast, Slimline
4	904,800,520.01	Connector, Electrical (not shown) (scotchlock 557)
5	904,600,710.01	2-Way Plug
6	904,600,670.01	9-Way Plug
7	904,600,660.01	9-Way Cap
8	804,904,600.61	Plug-In Ballast Harness, Slimline

A1	900,301,700.01	Sheet Metal Screw #6 - 32 x 3/8 (4)
----	----------------	-------------------------------------

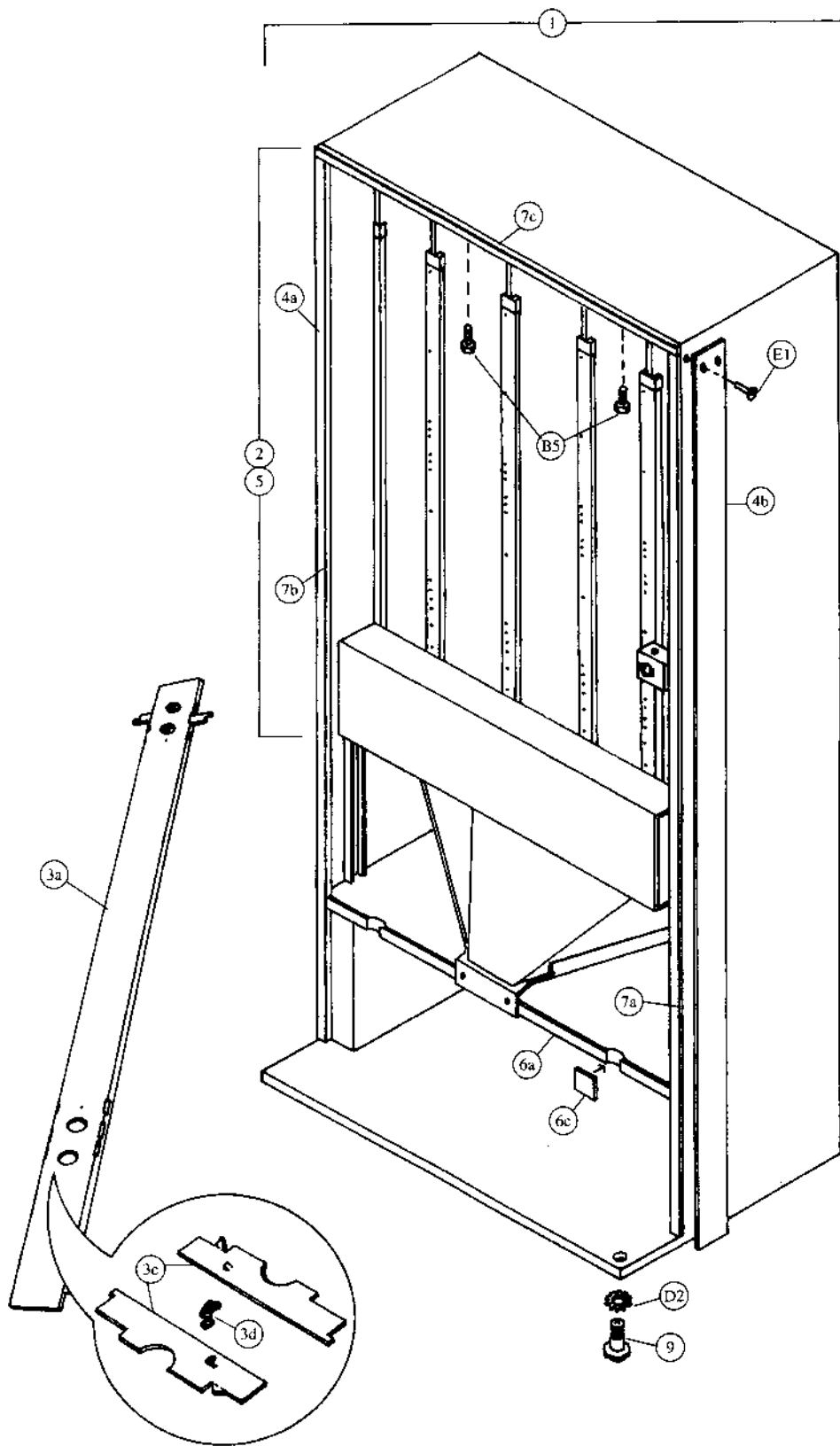
Inner Door - Coke (Landscape)



Two-Bar Linkage & Nut Retainer Housing - Coke (Landscape)



Cabinet Interior - Coke (Landscape)

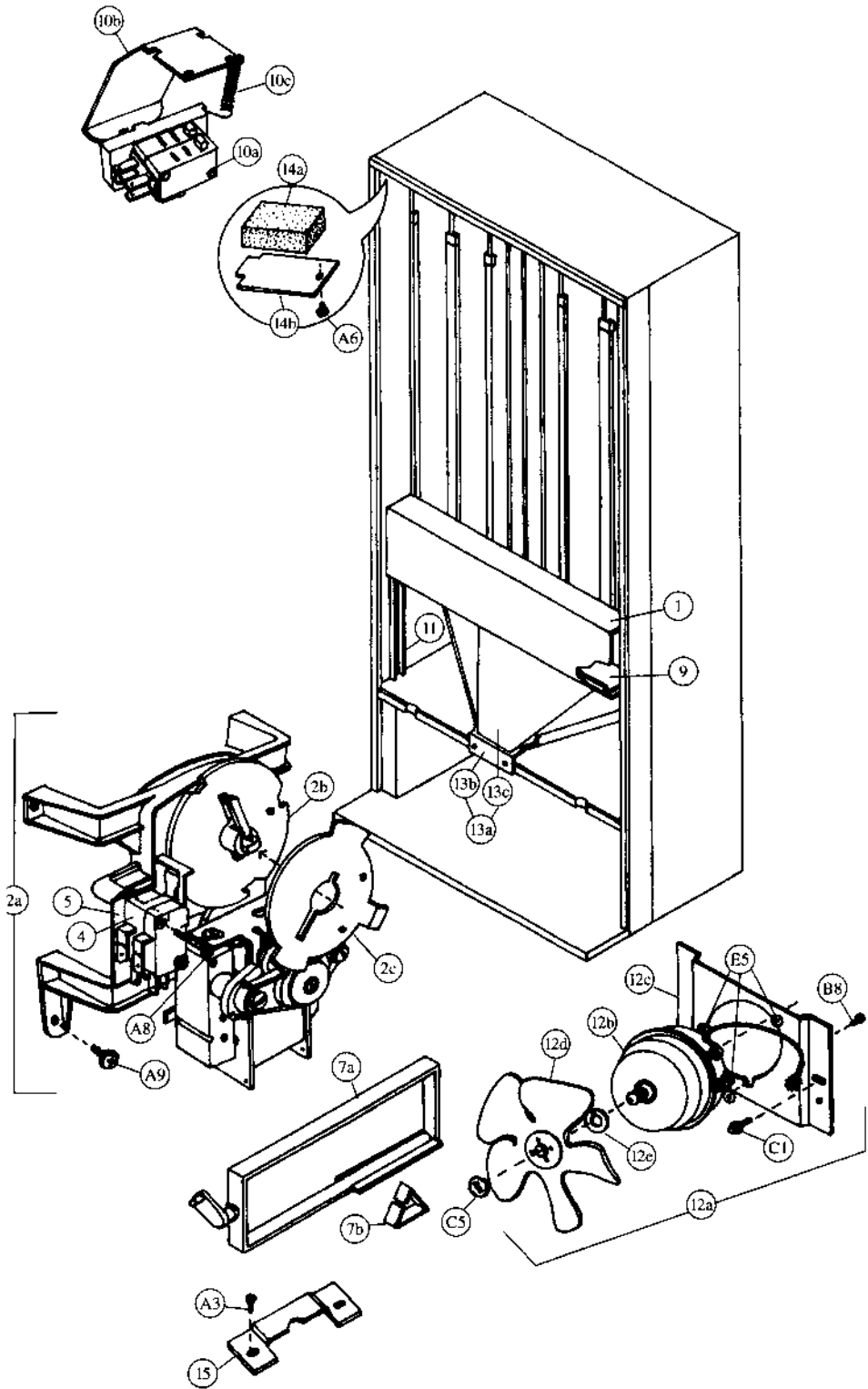


Cabinet Interior - Coke (Landscape)

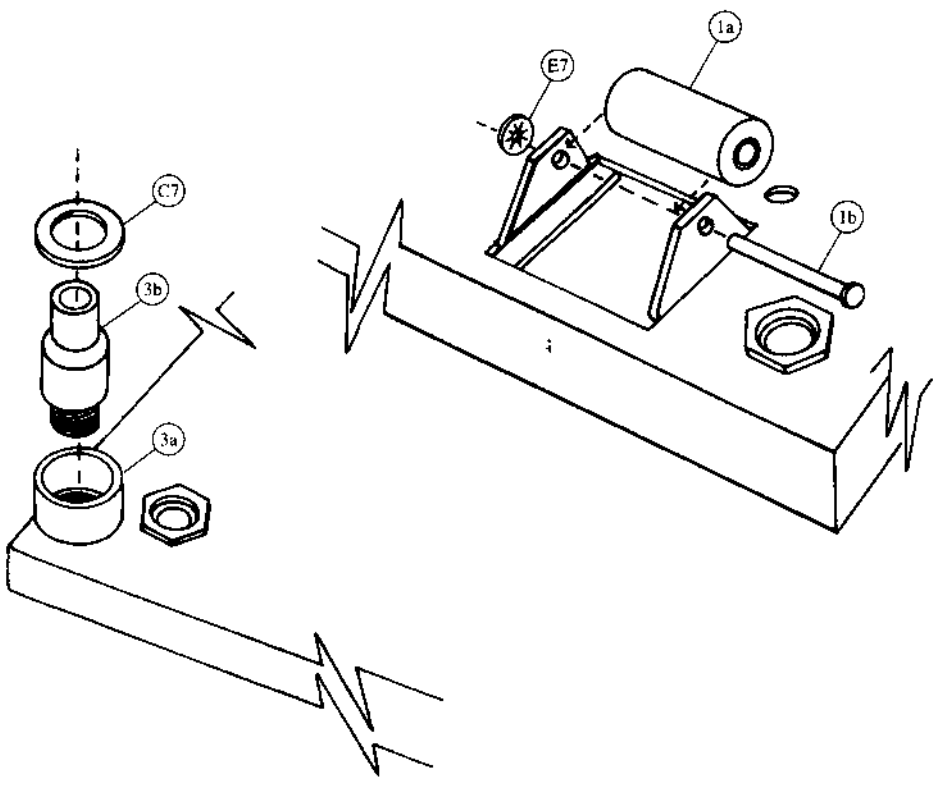
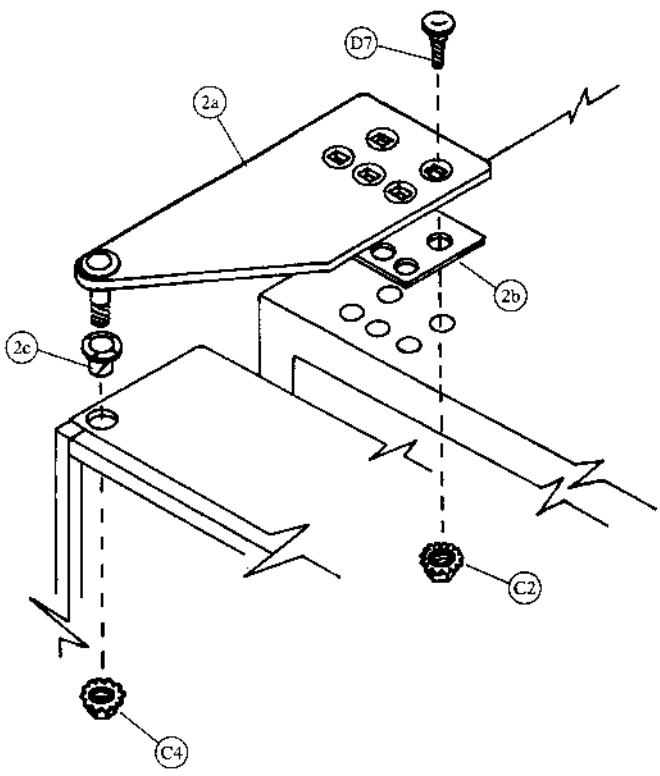
Item	Part Number	Part Name And Description
1	495,000,700.03	Foam Cabinet Assembly
2	See list below	Stack Assembly (specify harness)
	495,070,000.03	Single Price & Single Price - IEC Standard
	495,170,000.03	Two/Four Price & Two/Four Price - IEC Standard
3a	504,070,300.03	Rear Spacer, Wide Column
3c	267,070,080.53	Latch Finger, Long
3d	901,700,690.01	Rear Spacer Spring
4a	168,000,031.53	Protective Plate, LS Cabinet (not shown)
4b	168,000,041.63	Protective Plate, RS Cabinet
5	495,070,100.03	Sub Assembly Stack
6a	801,806,280.41	Mullion
6b	801,303,830.21	Mullion Cover, Metal (not shown)
6c	801,806,220.11	Mullion Cover, Plastic (obsolete)
7a	495,020,030.03	Breaker Strip, Right
7b	495,020,040.03	Breaker Strip, Left
7c	493,020,060.03	Breaker Strip, Top
8a	480,000,100.13	Ballast Plate Assembly (not shown)
	495,020,500.13	Ballast Plate Assembly - IEC Standard (not shown)
8b	432,020,070.23	Ballast Plate (not shown)
	492,050,140.03	Ballast Plate - IEC Standard (not shown)
9	900,502,490.71	Leveling Leg, 5/8" (4)
10	491,070,020.13	Mounting Bracket, Rear (not shown)
11	437,010,030.13	Rodent Guard, Narrow (not shown)
	476,010,400.13	Rodent Guard, Narrow - IEC Standard (not shown)
12	804,400,360.01	Transformer, Basler Isolation (not shown)
13	804,902,170.11	Transformer Jumper (not shown)
14	not applicable	Transformer Jumper - IEC Standard (not shown)
15a	901,902,280.01	Heyco Wire Clip #3699 (not shown)
15b	900,901,590.01	Cable Clamp, Green (not shown)

E1a	901,100,430.01	Pop Rivet, 1/4" (15)
B5	900,301,730.21	Self-Tapping Screw 1/4 - 20 x 1 (4)
E1b	901,100,440.01	Drive Rivet, 1/4" (8)
D2	900,700,890.01	Lock Washer, 5/8"
E2	901,100,520.01	Pop Rivet, 1/8" (not shown)

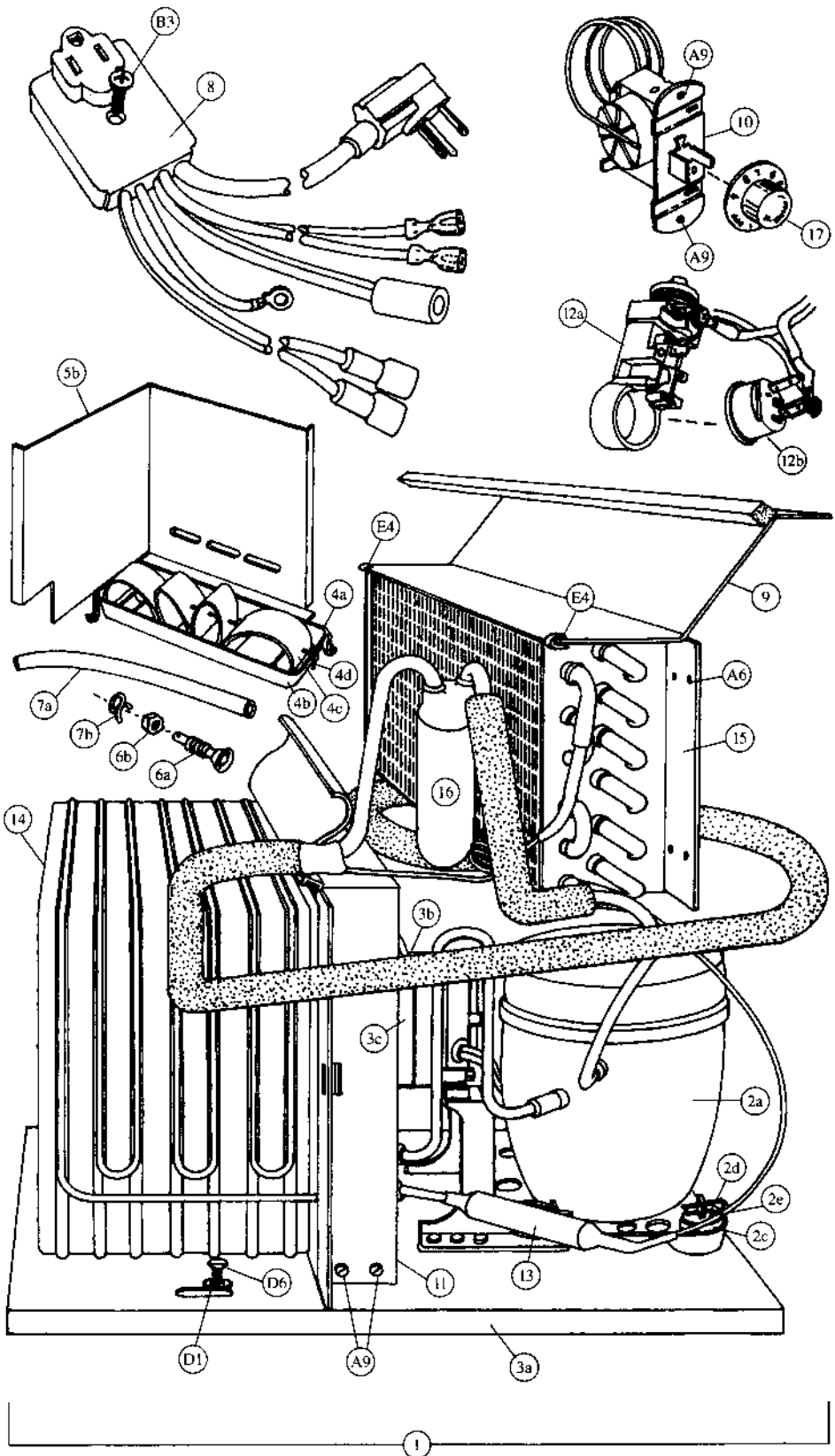
Cabinet & Vend Mechanism - Coke (Landscape)



Hinges and Rollers - Coke (Landscape)



Refrigeration - Coke (Landscape)



Refrigeration System - Coke (Landscape)

Item	Part Number	Part Name And Description
1	Provide information listed	Complete Refrigeration System: Indicate unit model number from serial plate on unit base plate, refrigerant, voltage/hertz and country.
2a	Provide information listed	Compressor ¼ HP: Indicate compressor manufacturer, voltage/hertz, refrigerant and complete manufacturer's model number.
2b	See list below	Compressor Lead Harness (not shown)
	904,900,611.01	All, except IEC Standard
	804,904,700.01	220-240v/50hz, IEC Standard
2c	902,000,570.01	Compressor Mounting Grommet
2d	900,901,880.01	Compressor Mounting Retainer Clip
2e	901,803,910.01	Compressor Grommet Plug, Plastic
3a	491,040,040.43	Condenser Base Plate
3b	See list below	Condenser Fan Motor Assembly
	491,040,200.03	115v
	491,140,300.03	220-240v
3c	See list below	Condenser Fan Motor
	804,500,670.01	115v
	804,500,700.01	220-240v
3d	800,103,370.02	Fan Blade (not shown)
4a	491,000,100.03	Drain Pan Assembly
4b	801,303,670.11	Drain Pan
4c	901,900,020.21	Soaker (8 required)
4d	901,400,060.11	Soaker Rod
5a	491,040,030.33	Condenser Baffle, Right Side (not shown)
5b	493,040,040.03	Condenser Baffle, Rear
6a	801,806,050.11	Drain Tube
6b	900,301,790.01	Drain Tube Nut
7a	901,900,500.01	Drain Hose
7b	900,901,030.01	Drain Hose Clamp
8	See listing below	Main Wiring Harness
	804,902,220.01 (a)	United States
	804,905,480.01 (b)	Australia, IEC 335
	804,905,490.01 (c)	United Kingdom, IEC 335
	804,902,160.21 (d)	Europe
	804,903,160.01 (e)	Mexico (not shown)
	804,905,450.01 (f)	Italy
	804,905,470.01 (g)	Danish, IEC 335
	804,905,360.01 (h)	Germany, Splashwater Protector
9	143,040,011.13	Top Fan Housing
10	802,800,410.01	Temperature Control
11	491,040,110.43	Fan Shroud Condenser
12a	Provide information listed	Relay: Indicate compressor manufacturer, model # and voltage/hz
12b	Provide information listed	Overload: Indicate compressor manufacturer, model # and voltage/hz
13	802,401,260.01	Dryer
14	802,600,560.01	Condenser
15	802,600,370.51	Evaporator
16	802,400,460.01	Accumulator
17	802,800,420.01	Knob, Temperature Control
A6	900,600,230.02	Sheet Metal Screw, Type "A" (not shown) (2)
A9	900,301,560.01	Sems Screw #8 - 32 x ¾ (8)
B3	900,301,810.01	Screw, #10 - 32 x 1½
D1	900,700,360.01	Lockwasher, ¾" (2)
F4	900,901,890.01	Tinnerman Clip (2)
D6	900,400,440.01	Refrigeration Bolt ¾ - 16 x 1 (2)

When Ordering Parts, Indicate Model # And Serial # Of Vender.
All Parts Numbers And Prices Are Subject To Change Without Notice.

Signs and Decals - Coke (Landscape)



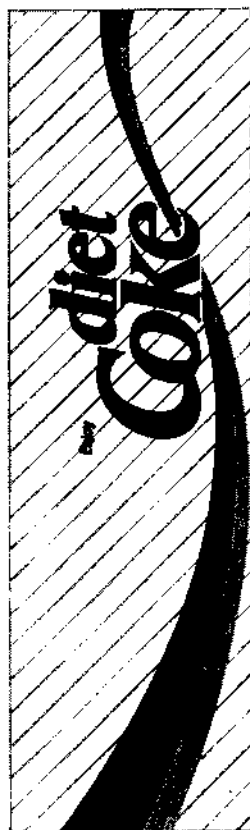
①



④

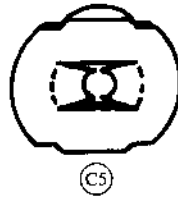
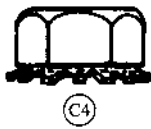
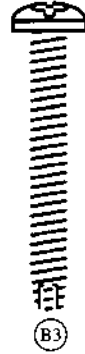


②

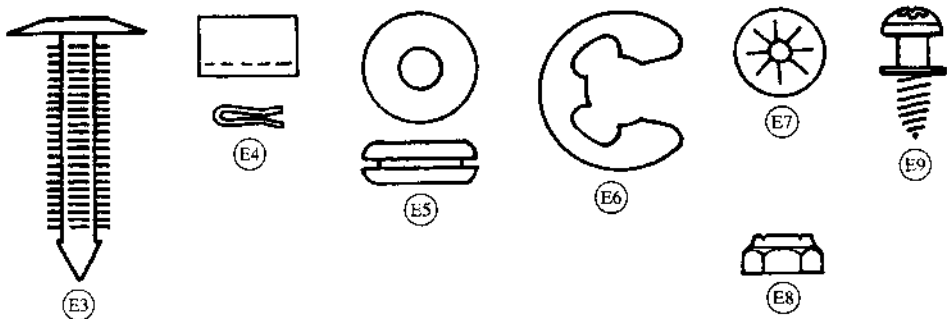
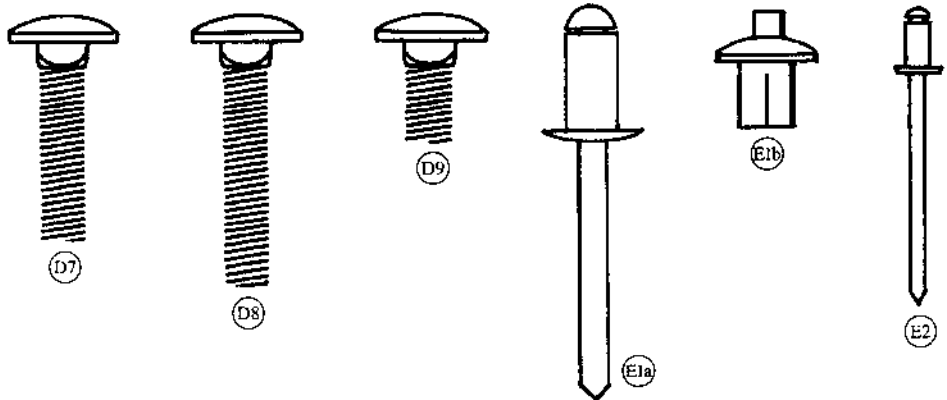
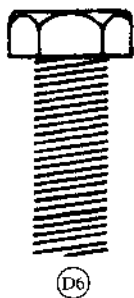
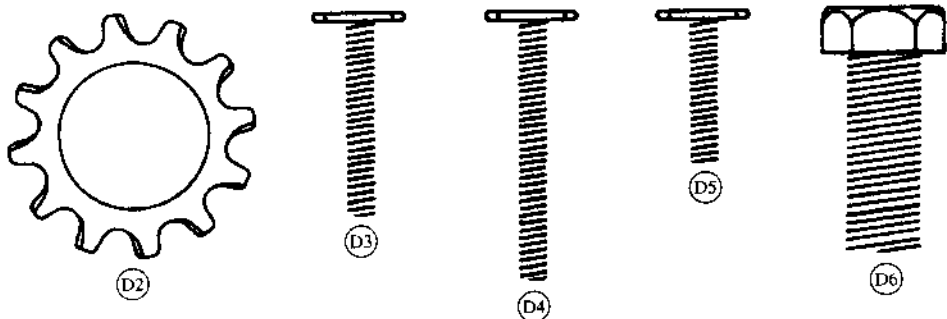
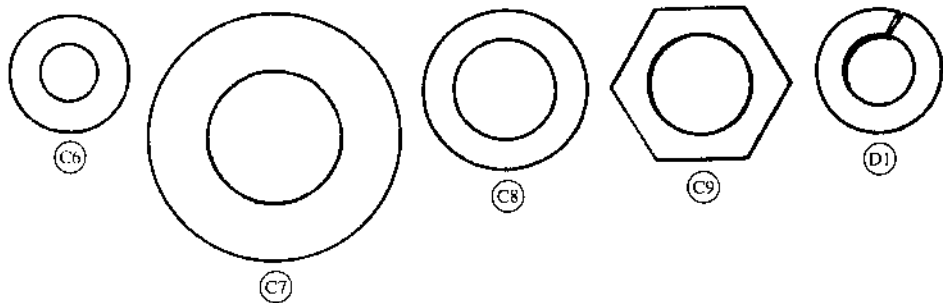


⑤

Screws & Nuts - Coke (Landscape)



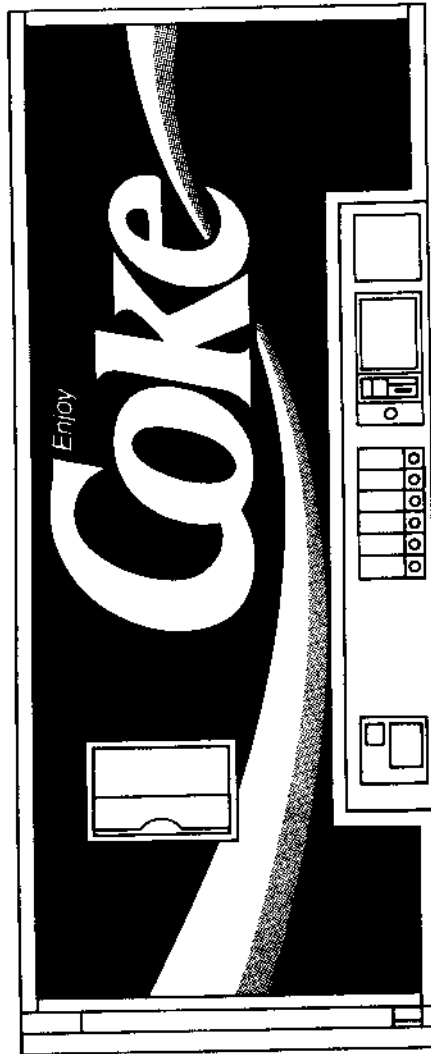
Washers, Bolts & Misc. - Coke (Landscape)



Washers, Bolts & Misc. - Coke (Landscape)

Item	Part Number	Part Name And Description
C6	900,700,600.01	Washer, Flat
C7	901,303,770.01	Washer, Hinge
C8	901,503,060.01	Washer, Flat (T-Handle)
C9	901,503,080.01	Washer, Hex (T-Handle)
D1	900,700,360.01	Lockwasher, 3/8"
D2	900,700,890.01	Lockwasher, 5/8"
D3	900,400,430.01	T-Bolt #8 - 32 x 1
D4	900,400,410.01	T-Bolt #8 - 32 x 1 3/8
D5	900,400,350.31	T-Bolt #8 - 32 x 3/4
D6	900,400,440.01	Refrigeration Bolt 3/8 - 16 x 1
D7	900,201,170.01	Carriage Bolt 1/4 - 20 x 1
D8	900,201,230.01	Carriage Bolt 1/4 - 20 x 1 1/4
D9	900,201,450.01	Carriage Bolt 1/4 - 20 x 1/2
E1a	901,100,430.01	Pop Rivet 1/4"
E1b	901,100,440.01	Drive Rivet 1/4"
E2	901,100,520.11	Pop Rivet 1/8"
E3	900,902,130.01	Christmas Tree Clip
E4	900,901,890.01	Tinnerman Clip
E5	900,401,090.01	Grommet, Black Rubber #97
E6	901,503,070.01	E Ring
E7	900,900,900.01	Retainer
E8	900,800,510.01	Elastic Stop Nut #8 - 32
E9	900,301,980.01	Phil Pan Shoulder Screw #8 - 18 x 17/32

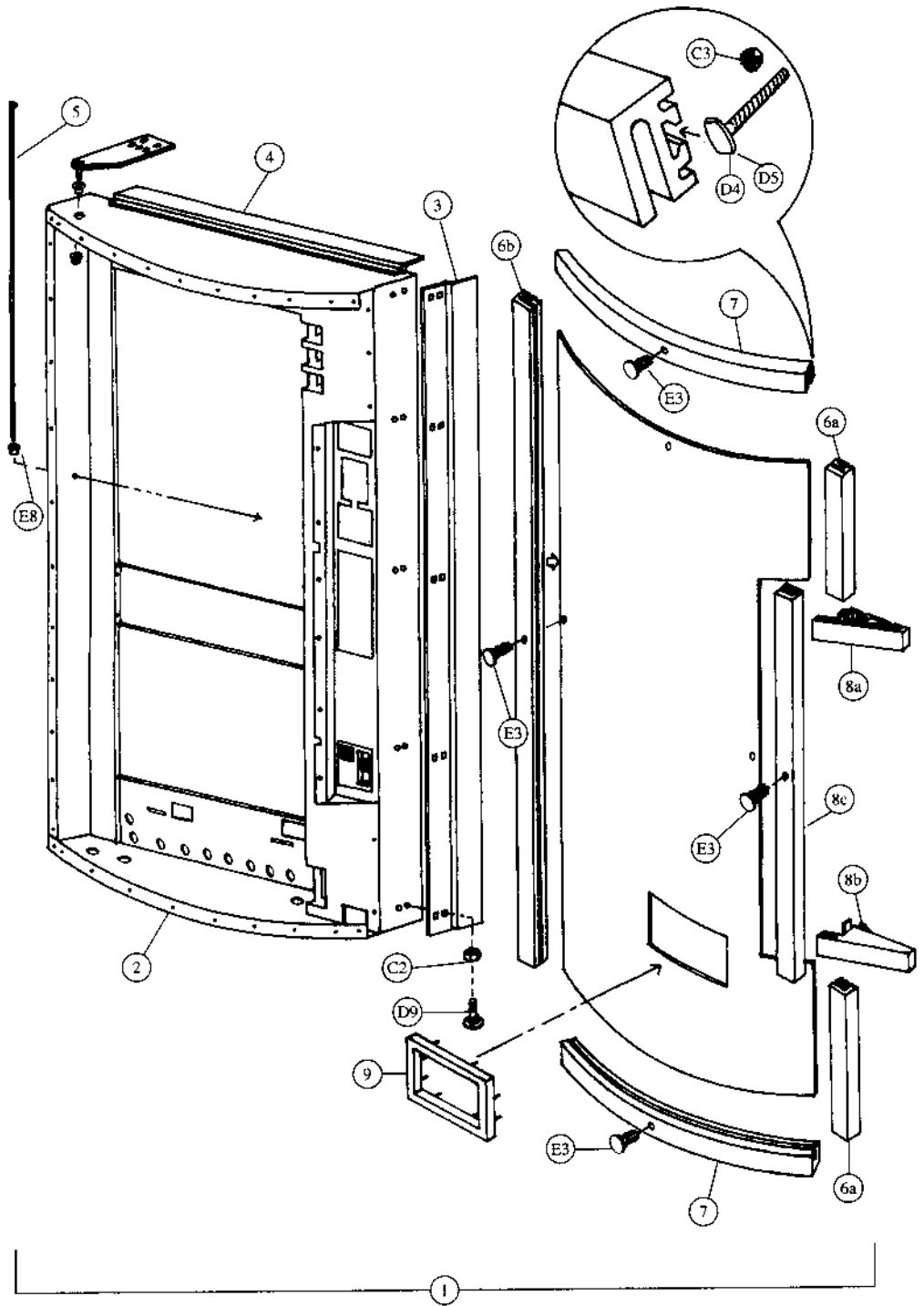
When Ordering Parts, Indicate Model # And Serial # Of Vender.
 All Parts Numbers And Prices Are Subject To Change Without Notice.



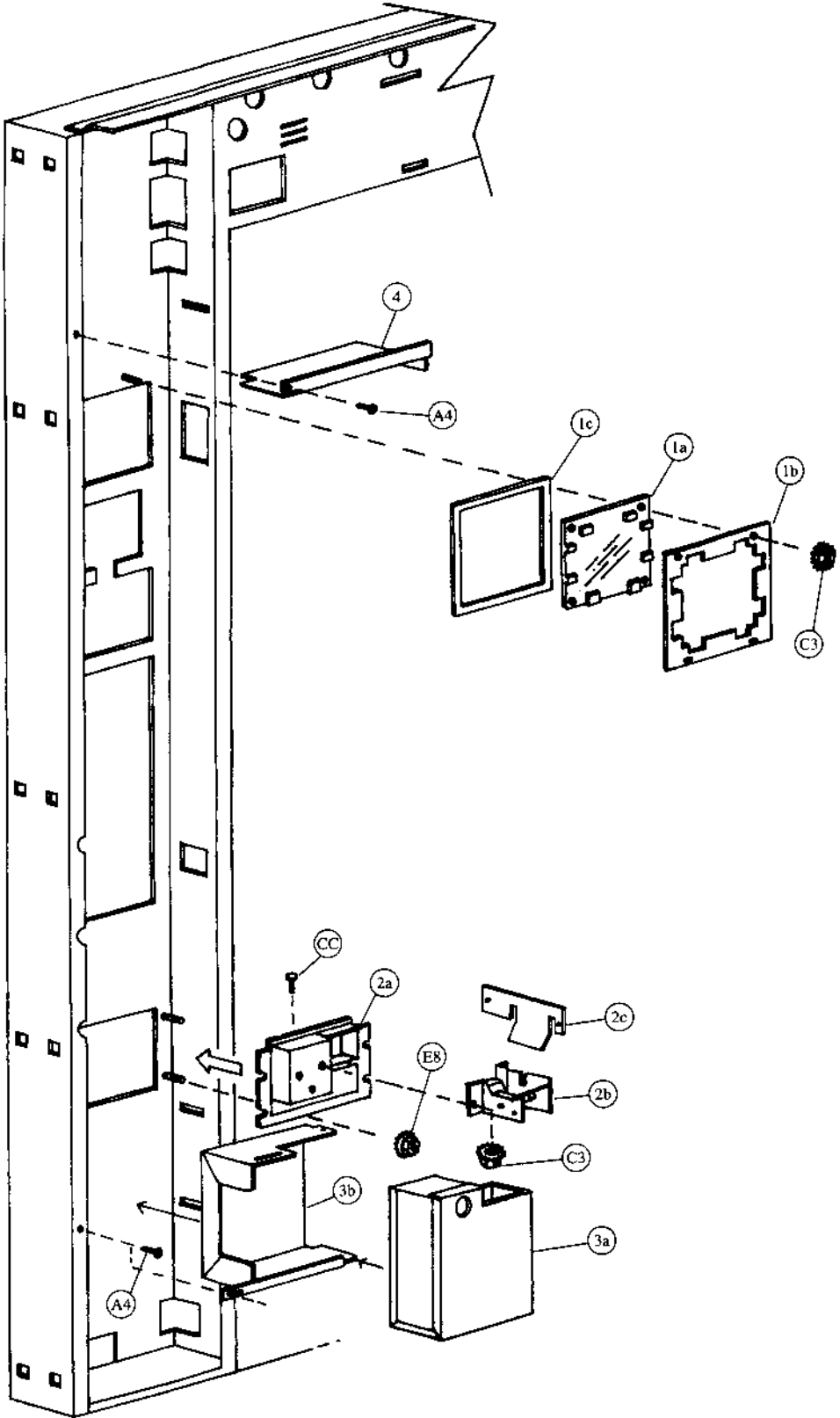
Coke (Landscape) DNCB 276CC & 300CC

Dimensions	72" H x 28 5/16" W x 30 1/2" D (1829mm H x 719mm W x 775mm D)	
Dimensions Less Door	72" H x 28 5/16" W x 27 1/2" D (1829mm H x 719mm W x 698mm D)	
Approximate Weight	574 lbs. (261kg)	
Selections/Columns	300	5/5
	276	6/6
Total 12 oz. (330ml) Cans Capacity/Vend	300	310/300
	276	282/270
Column Capacity 12 oz. (330ml) Cans	300	5 Double Columns - 62 Each
	276	3 Single Columns - 32 Each 3 Double Columns - 62 Each

Main Door - Exterior - Coke (Landscape)



Main Door - Interior (A) - Coke (Landscape)

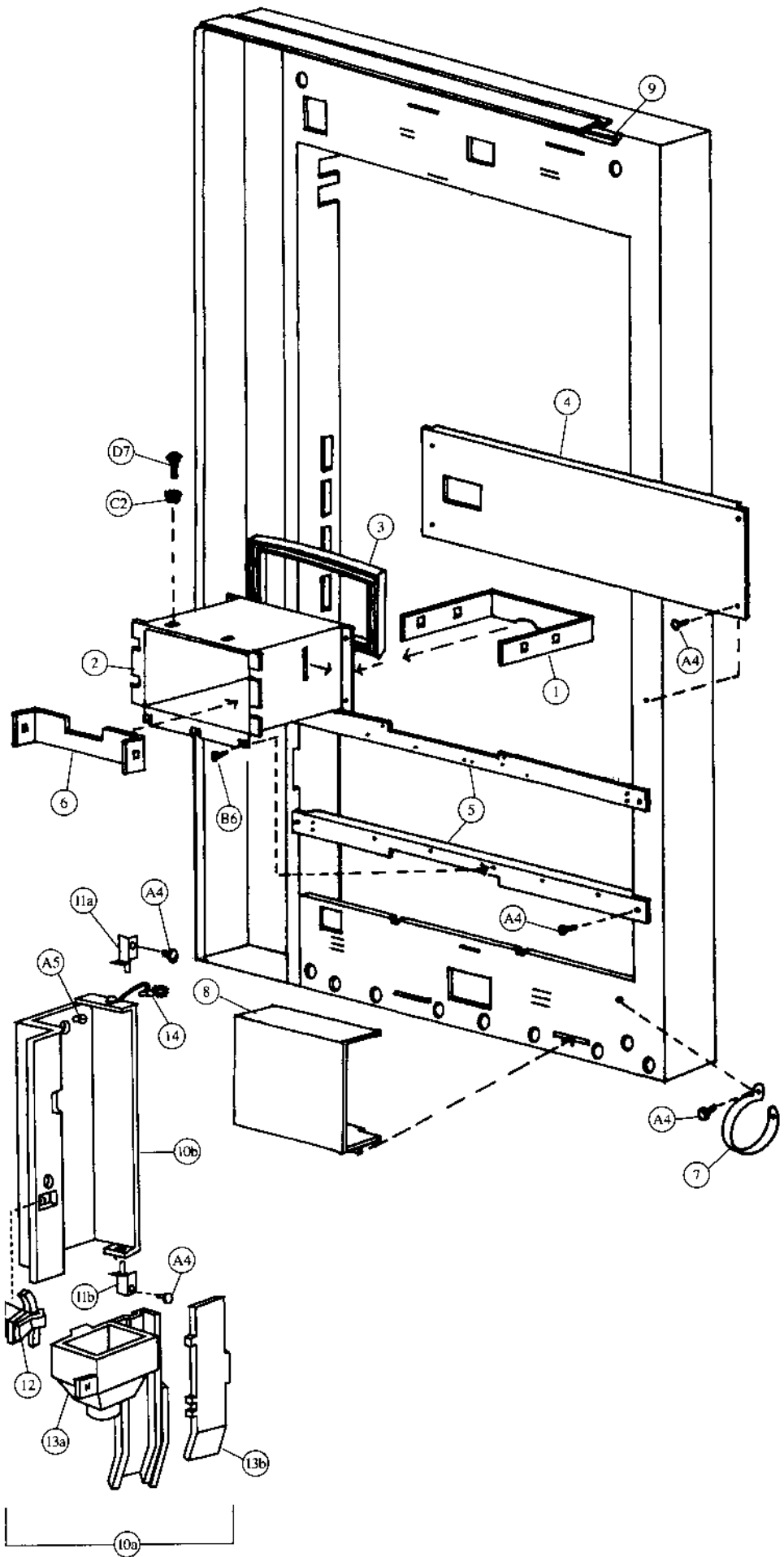


Main Door - Interior (A) - Coke (Landscape)

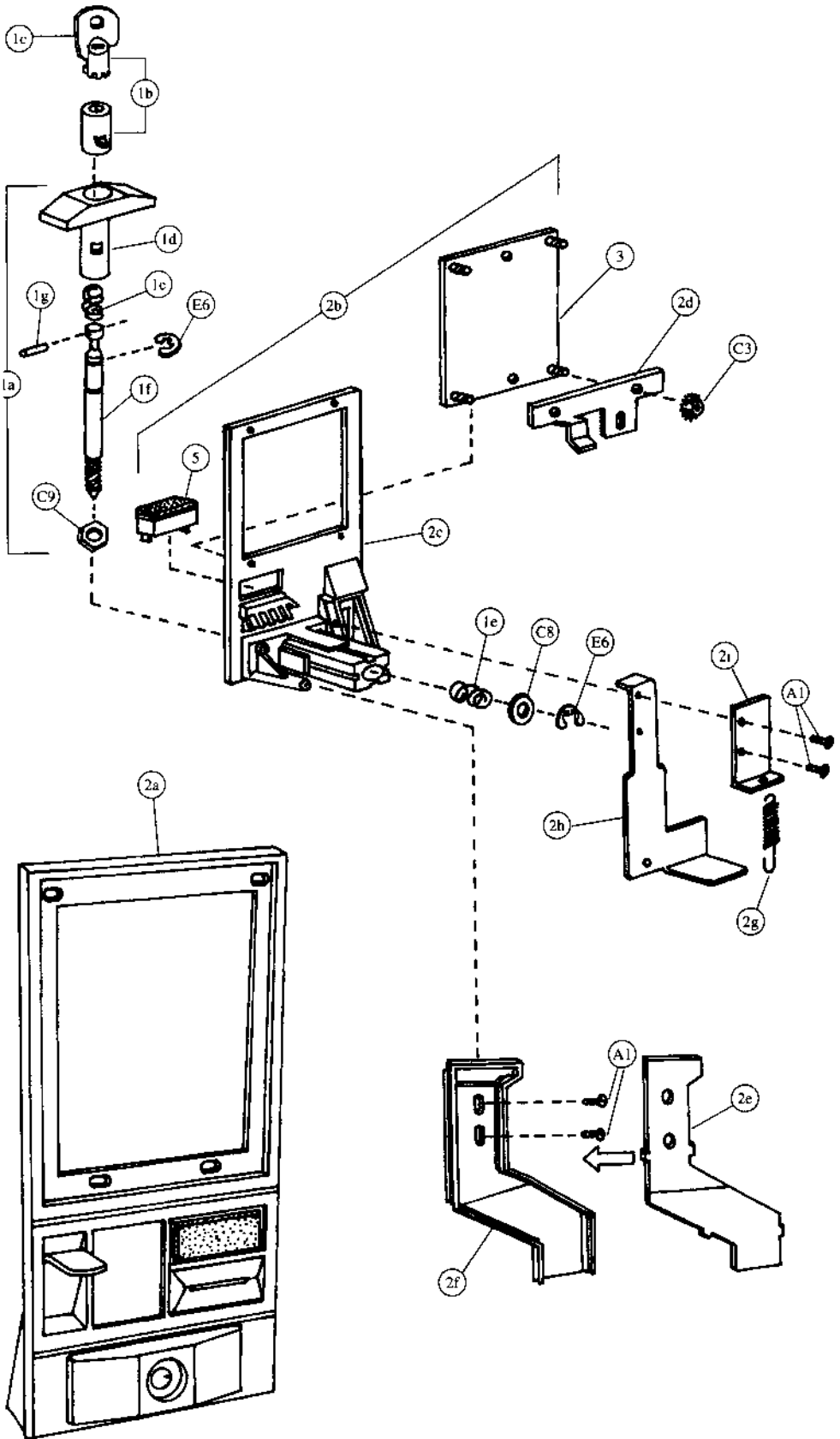
Item	Part Number	Part Name And Description
1a	801,806,930.01	Point Of Sale Window
1b	432,050,470.23	Point Of Sale Window Retainer
1c	902,001,030.01	Point Of Sale Window Gasket
1d	See list below	Point Of Sale Card (not shown)
	803,822,900.01	12 oz. Can (US & Canada)
	803,826,180.01	12 oz. Can (all others)
	803,826,360.01	"Coke Is It" (Taiwan)
	903,829,220.01	Minute Maid
	803,830,000.01	20 oz. Bottle
	803,829,230.11	16 oz. Bottle
	803,822,190.01	10 oz. Bottle
2a	801,805,610.11	Change Cup & Opener Bezel
2b	801,805,530.11	Change Cup
2c	399,050,270.13	Opener Housing Reinforcement Plate
3a	432,051,800.03	Lockable Cash Box, w/a
3b	432,050,181.43	Cash Box Shelf
4	432,050,340.43	Security Shelf
5	521,050,050.13	P.O.S. Window Security Channel (not shown)
6	901,000,190.01	Crown Puller (not shown)
7	432,050,400.03	Crown Catcher (not shown)
8	432,050,280.23	Crown Chute (not shown)

CC	901,201,220.11	Screw, Machine #8 - 32 x 3/4
E8	900,800,510.01	Elastic Stop Nut #8 - 32
B6	900,301,650.01	Screw, Phil Pan (with washer) #8 - 18 x 1/2 (not shown) (2)
C3	900,800,500.01	Keps Nut #8 - 32 (9)
B4	900,201,140.01	Screw, Machine Truss #10 - 32 1/2 (2)
A4	900,301,500.01	Screw, Phil Pan (without washer) #8 x 18 x 1/2

Main Door - Interior (B) - Coke (Landscape)



Pull-Out Handle & Coin Insert - Coke (Landscape)

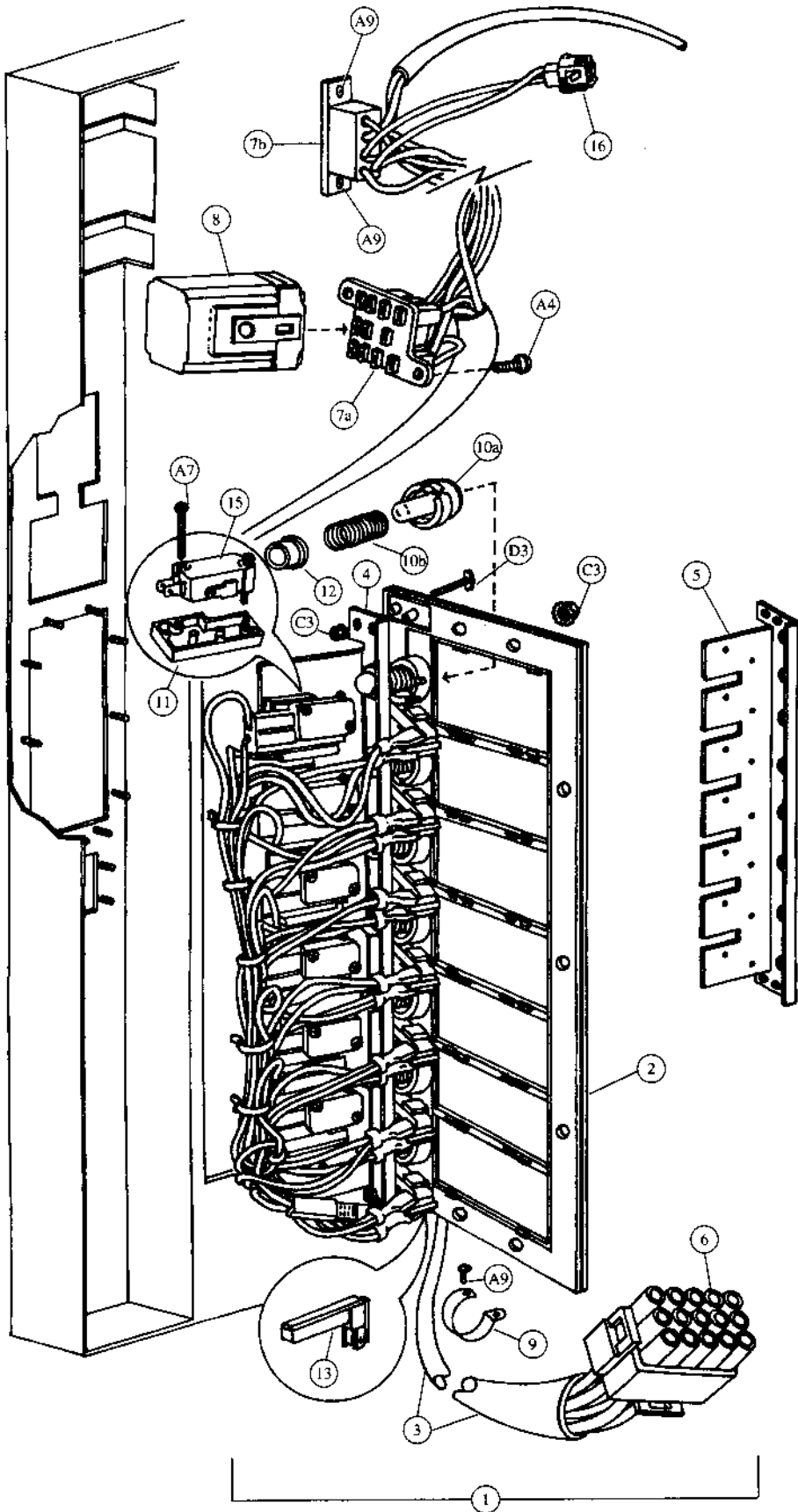


Pull-Out Handle & Coin Insert - Coke (Landscape)

Item	Part Number	Part Name And Description
1a	801,503,040.01	T Handle Assembly
1b	Specify key number	Lock with Two Keys
1c	Specify key number	Key Only
1d	801,505,730.01	Handle Only
1e	901,503,050.01	Spring
1f	4255-6-44W	Stud
1g	901,503,090.11	Cross Pin
2a	See list below	Complete Coin Insert Kit with T Handle
	491,010,800.04	Domestic (USA and Canada)
	Not applicable	Export (All others except listed below)
	Not applicable	Mexico
	Not applicable	Argentina - Token
2b	See list below	Complete Coin Insert Kit without T Handle
	491,050,500.03	Domestic (USA and Canada)
	491,150,500.03	Export (All others except listed below)
	480,350,500.03	Mexico
	480,550,500.03	Argentina - Token
2c	See list below	Coin Insert Only
	801,201,160.41	Domestic (USA and Canada)
	801,201,170.21	Export (All others except listed below)
	801,201,280.11	Mexico
	801,201,270.21	Argentina - Token
2d	453,050,130.83	Coin Insert Retainer
2e	801,805,800.31	Coin Chute Cover
2f	801,805,790.61	Coin Chute
2g	901,700,630.11	Spring Extension
2h	453,050,800.03	Coin Return Plunger Assembly
2i	432,050,570.33	Plunger Bracket
3	432,050,210.23	Validator Plate
4	See list below	Instruction Label (not shown)
	803,822,940.01	English
	903,832,680.01	Irish
	803,825,760.01	Spanish
	803,825,410.01	French
	803,825,750.01	Italian
	803,825,740.01	German
5	See list below	Correct Change Lamp
	904,700,180.31	English "Use Correct Change"
	804,700,500.11	English, IEC Standard "Use Correct Change"
	804,700,440.31	Spanish "Importe Exacto"
	804,700,450.21	French "Faites L'Appoint"
	804,700,400.21	Italian "Usare Monete Contate"
	804,700,470.21	Turkish "Lutfen Para Atiniz"
	804,700,480.21	German "Abgezahltes Geld Verwendeb"
904,700,490.21	Portuguese "Introduza Quantia Exacta"	
6	801,806,080.11	Drip Chute (not shown)

E6	901,503,070.01	E Ring	(2)
C8	901,503,060.01	Flat Washer	
C9	901,503,080.01	Hex Washer	
A1	900,301,700.01	Sems Screw #6-32 x 3/8	(4)
C3	900,800,500.01	Keps Nut #8-32	(4)

Select Panel - Coke (Landscape)

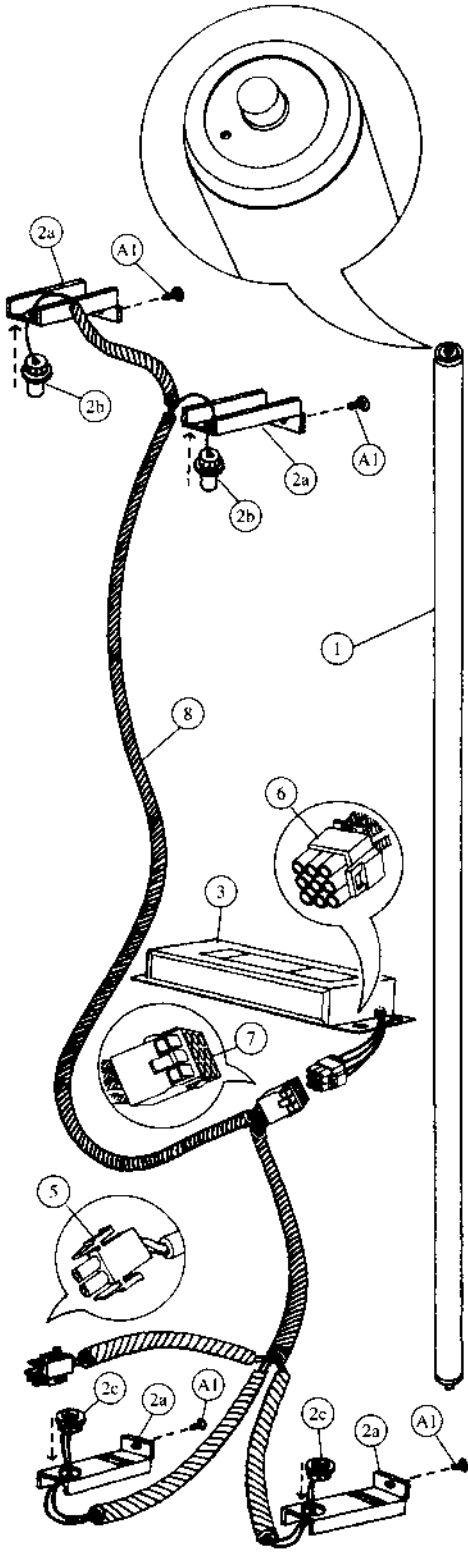


Select Panel - Coke (Landscape)

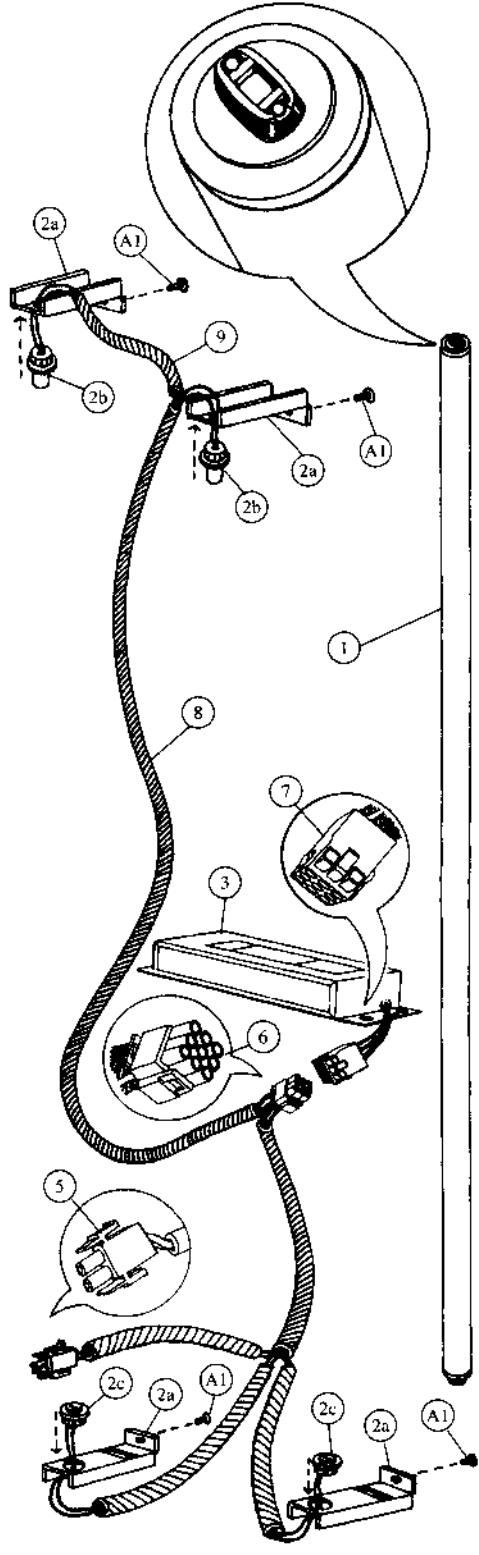
Item	Part Number	Part Name And Description
1	443,050,400.03	276 Select Panel Assembly (specify harness)
	495,050,400.03	300 Select Panel Assembly (specify harness)
2	801,805,730.01	276 Select Panel
	801,805,720.01	300 Select Panel
3a	See list below	276 Door Harness
	804,903,740.31	Single Price & Single Price - IEC Standard
	804,903,940.41	Two Price & Two Price - IEC Standard
	804,904,070.41	Four Price & Four Price - IEC Standard
3b	See list below	300 Door Harness
	804,903,760.21	Single Price & Single Price - IEC Standard
	804,903,980.31	Two Price & Two Price - IEC Standard
	804,904,100.31	Four Price & Four Price - IEC Standard
4	443,050,700.03	276 Select Switch Bar Assembly
	495,050,700.03	300 Select Switch Bar Assembly
5	443,050,030.63	276 Select Switch Bar
	445,050,150.63	300 Select Switch Bar
6	904,600,830.01	15-Way Plug
7a	904,600,620.01	Socket, Relay
7b	904,600,600.01	Socket, Coin Changer
8	804,200,170.01	Vend Relay (single price only)
9	901,901,890.01	1" Clamp
10a	801,805,710.21	Push Button
10b	901,700,720.11	Push Button Spring
11	801,805,920.21	Switch Insulator
12	902,000,580.01	Nylet
13	804,700,210.01	Sold Out Lamp
14	Indicate flavor	Flavor Cards (not shown)
15	804,100,710.01	Select Switches (single Micro)
16	904,600,700.01	2-Way Cap

A4	900,301,500.01	Screw, Phil Pan (without washer) #8 - 18 x 1/2 (2)
A9	900,301,560.01	Sems Screw #8 - 32 x 3/8 (7)
A7	900,300,470.01	Screw, Phil Pan #4 x 3/4 (14)
D3	900,400,430.01	T-Bolt #8 - 32 x 1 (4)
C3	900,800,500.01	Keps Nut #8 - 32 (14)

Lighting - Coke (Landscape)



Slimline



High-Output

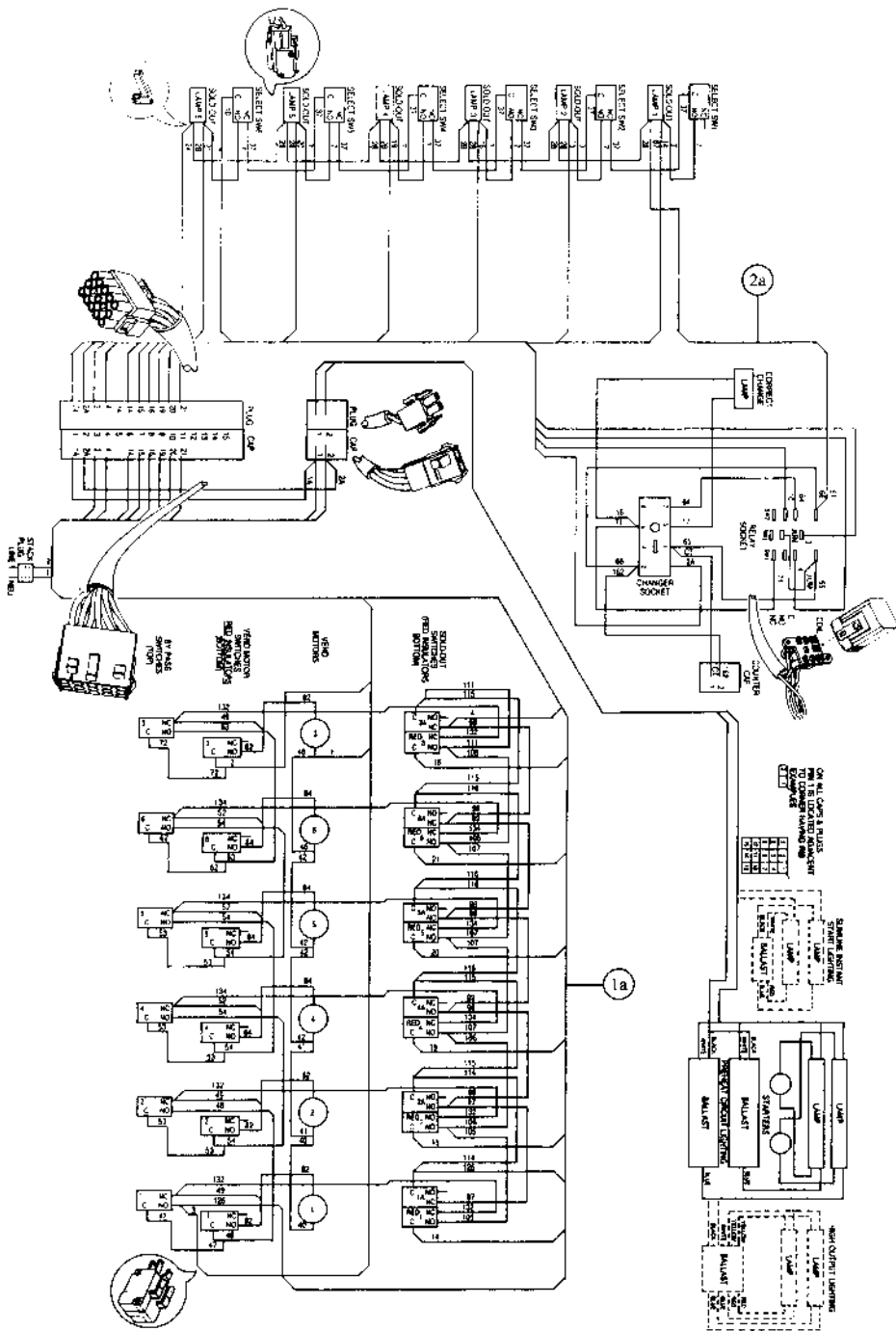
Lighting - Coke (Landscape)

Item	Part Number	Part Name And Description
High-Output Lighting		
1	804,700,370.01	Fluorescent Bulb - F64T12/D/HO
2a	432,050,380.63	Door Bracket Lamp Socket
2b	804,901,990.01	Top Lamp Holders - 523
2c	804,902,000.01	Bottom Lamp Holders - 524
3	804,400,380.01	Plug-In Ballast, Advance #VSM/HO
4	904,800,520.01	Connector, Electrical (not shown) (scotchlock 557)
5	904,600,710.01	2-Way Plug
6	904,600,670.01	9-Way Plug
7	904,600,660.01	9-Way Cap
8	804,904,510.21	Plug-In Ballast Harness, High Output
9	804,904,920.11	Lamp Fixture Jumper, High Output

Slimline Lighting		
1	804,700,300.01	Fluorescent Bulb - F64T12/DAYLT
2a	432,050,380.63	Door Bracket Lamp Socket
2b	804,902,020.01	Top Lamp Holders - 516
2c	804,902,030.01	Bottom Lamp Holders - 517
3	804,400,370.11	Plug-In Ballast - Advance Slimline
4	904,800,520.01	Connector, Electrical (not shown) (scotchlock 557)
5	904,600,710.01	2-Way Plug
6	904,600,670.01	9-Way Plug
7	904,600,660.01	9-Way Cap
8	804,904,600.61	Plug-In Ballast Harness, Slimline

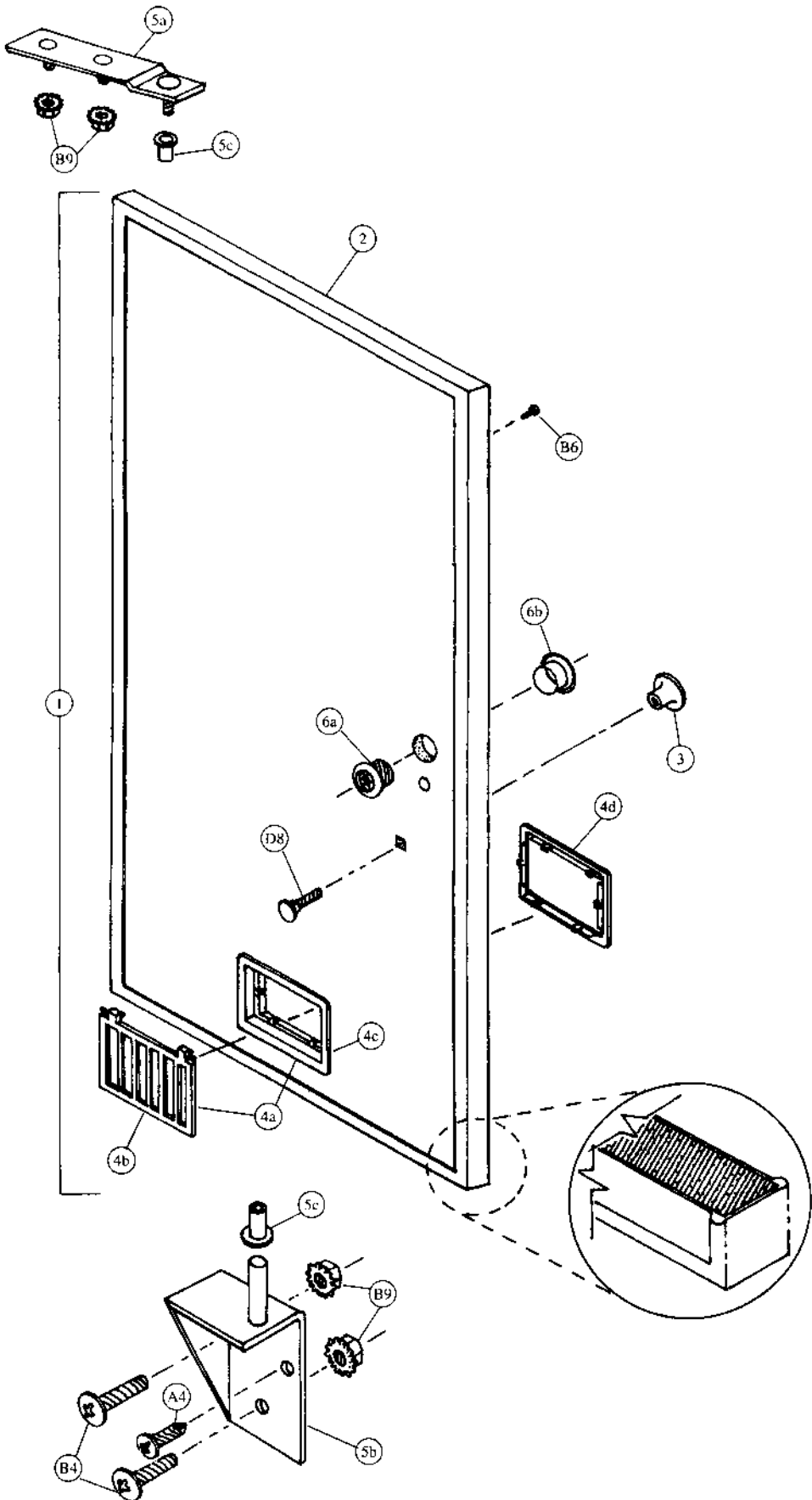
A1	900,301,700.01	Sheet Metal Screw #6 - 32 x 3/8 (4)
----	----------------	-------------------------------------

Wiring Harness - Coke (Landscape)



Sample Diagram
6 Column Dual Adaptable, Single Price

Inner Door - Coke (Landscape)

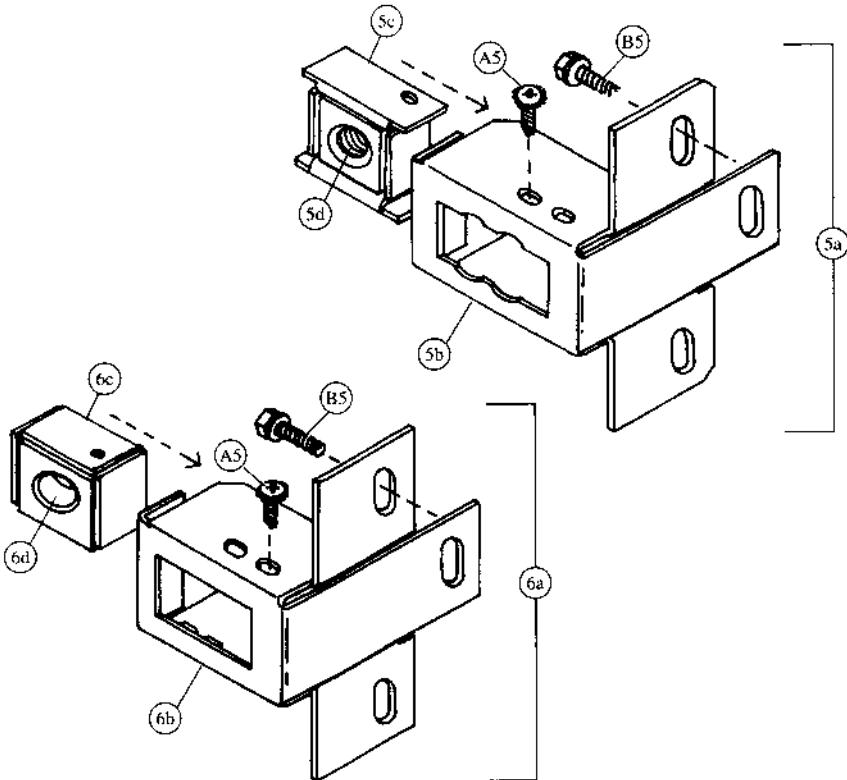
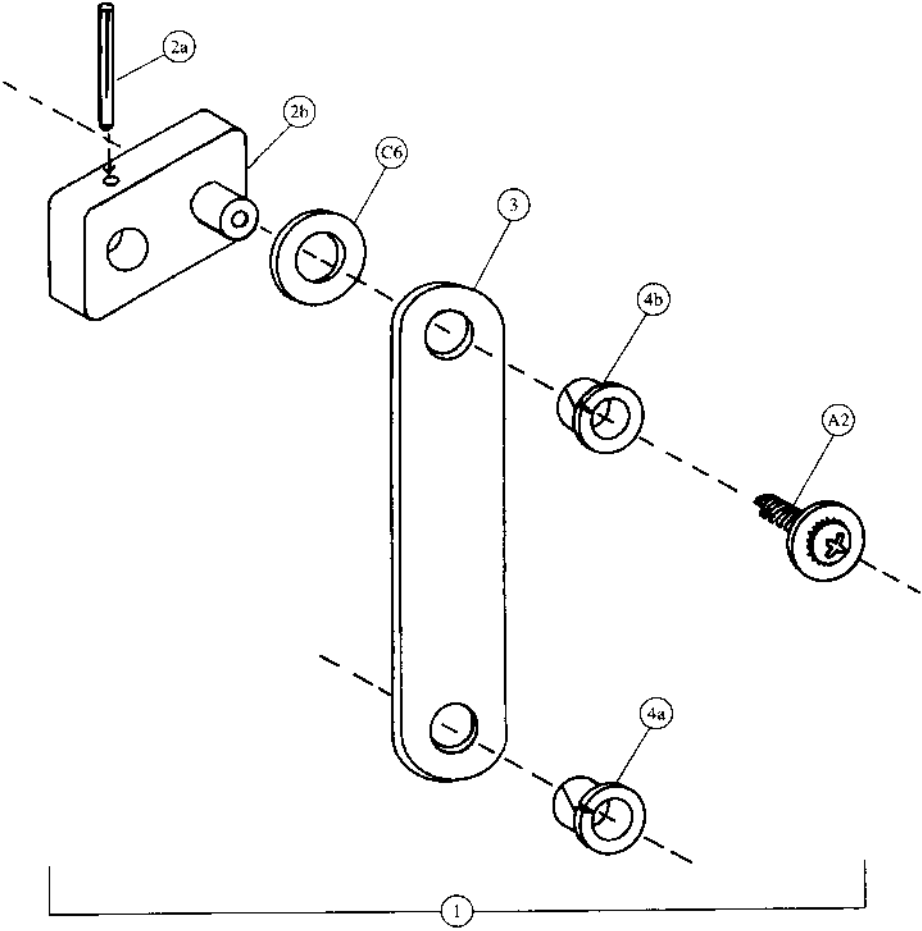


Inner Door - Coke (Landscape)

Item	Part Number	Part Name And Description
1	493,050,200.03	Inner Door Assembly
2	801,804,030.11	Inner Door Gasket
3	901,501,700.01	Knob
4a	801,806,920.01	Discharge Frame Assembly (includes 4b & 4c)
4b	801,806,600.01	Delivery Door
4c	801,806,550.01	Discharge Frame
4d	801,806,560.01	Retainer Frame Inner Door
5a	169,053,001.13	Inner Door Top Hinge, w/a
5b	169,051,101.63	Inner Door Bottom Hinge, w/a
5c	901,803,710.01	Plastic Bearing
6a	801,806,420.31	Bushing - Inner Door
6b	801,806,430.31	Bushing Retainer - Inner Door
7	904,902,610.01	4" Ground Wire (102mm) (not shown)

A4	900,301,500.01	Screw, Phil Pan (without washer) #8 - 18 x 1/2
D8	900,201,230.11	Carriage Bolt 1/4 - 20 x 1 1/4
B6	900,301,650.01	Screw, Phil Pan (with washer) #8 - 18 x 1/2 (53)
B7	900,302,010.01	Self-Tapping Screw 1/4 - 20 x 5/8
B9	900,800,650.01	Keys Nut #10 - 32 (4)
B4	900,201,140.01	Screw, Machine Truss #10 - 32 x 1/2 (2)

Two-Bar Linkage & Nut Retainer Housing - Coke (Landscape)

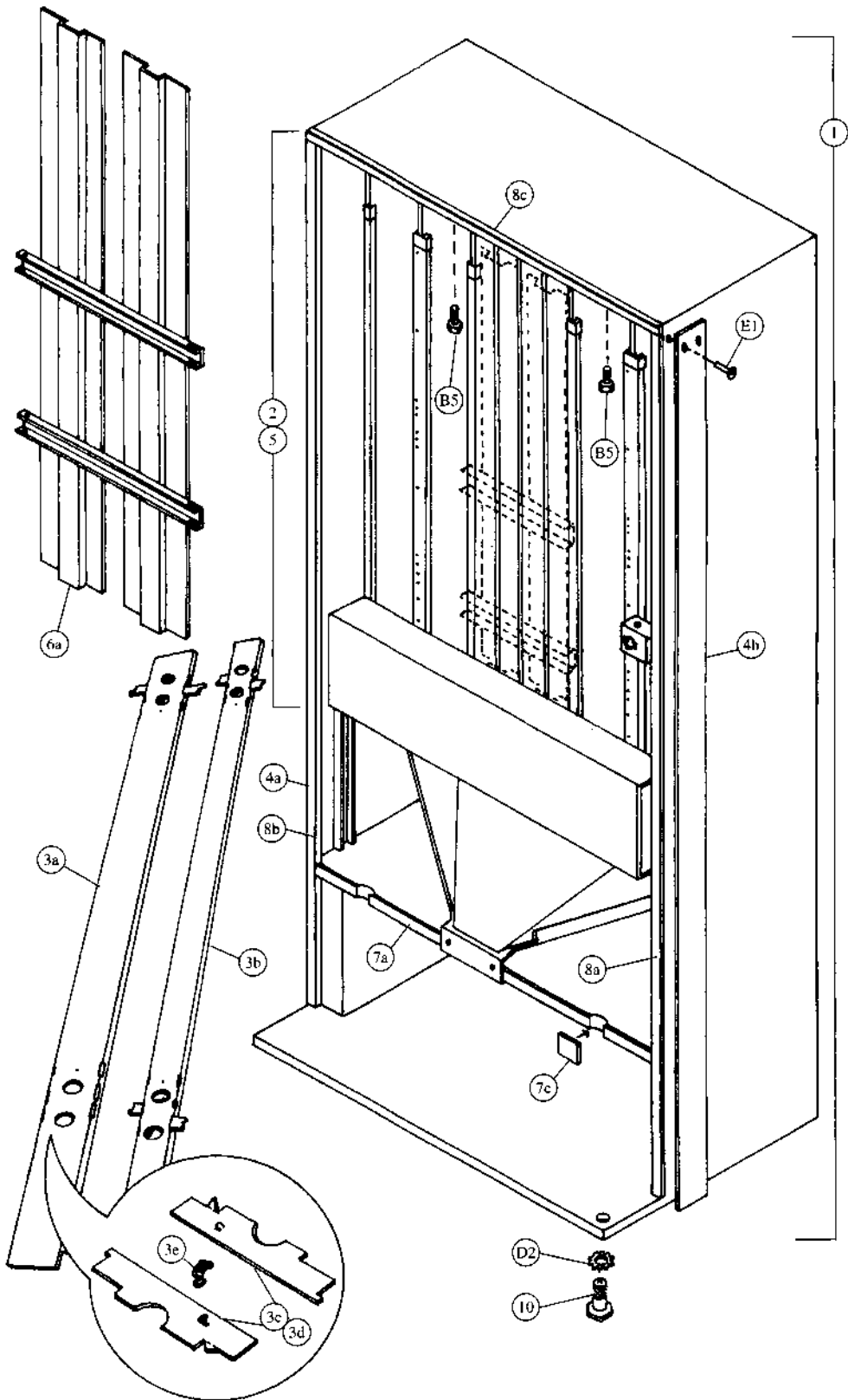


Two-Bar Linkage & Nut Retainer Housing - Coke (Landscape)

Item	Part Number	Part Name And Description
1	491,070,500.03	Linkage & Drive Arm Assembly
2a	900,901,940.01	Groove Pin, 1 ³ / ₁₆ " (30mm)
2b	801,200,950.61	Drive Arm
3	801,201,030.01	Linkage Arm
4a	801,803,160.01	Top Nyliner
4b	801,804,770.01	Bottom Nyliner
5a	432,052,500.04	Traditional Nut Retainer Housing Assembly
5b	432,050,750.03	Traditional Nut Retainer Housing
5c	801,303,850.11	Traditional Cage Nut
5d	900,800,570.11	Square Nut, ¹ / ₂ - 13 N.C.
6a	432,052,600.04	Star Lock Nut Retainer Housing Assembly
6b	432,050,760.03	Star Lock Nut Retainer Housing
6c	801,303,860.11	Cage Nut Star Lock
6d	801,505,510.01	Latch Housing Star Lock

C6	900,700,600.01	Flat Washer, Delrin .040
A2	900,301,640.01	Sems Screw #8 - 32 x ¹ / ₂
B5	900,301,730.21	Sems Screw ¹ / ₄ - 20 x 1
A5	900,301,970.01	Sems Screw #8 - 32 x ¹ / ₄

Cabinet Interior - Coke (Landscape)

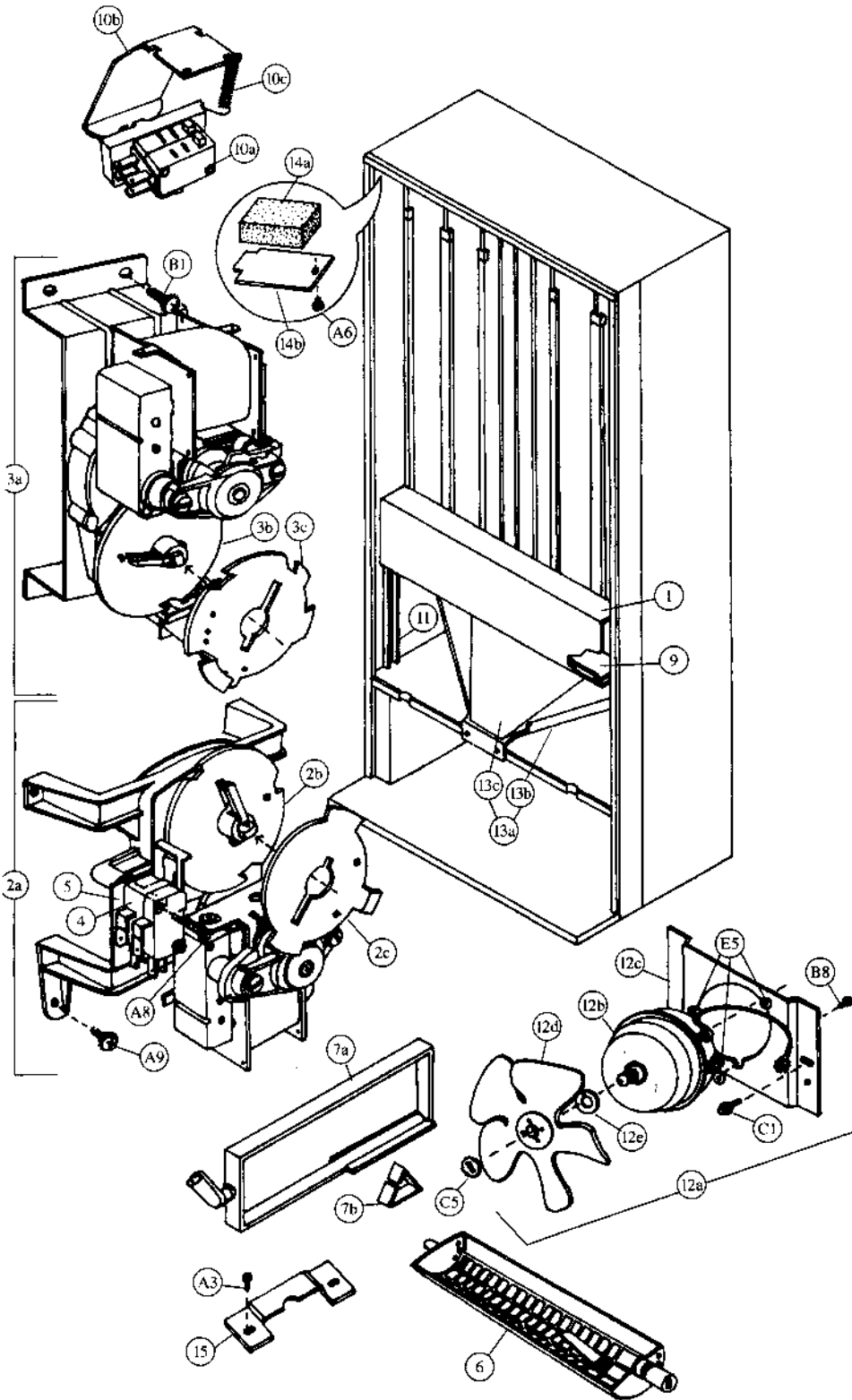


Cabinet Interior - Coke (Landscape)

Item	Part Number	Part Name And Description
1	493,000,700.03	Foam Cabinet Assembly
2a	See list below	276 Stack Assembly (specify harness)
	493,070,000.03	Single Price & Single Price - IEC Standard
	493,170,000.03	Two/Four Price & Two/Four Price - IEC Standard
2b	See list below	300 Stack Assembly (specify harness)
	534,070,000.03	Single Price & Single Price - IEC Standard
	534,170,000.03	Two/Four Price & Two/Four Price - IEC Standard
3a	492,070,200.03	Rear Spacer, Wide Column
3b	492,070,300.03	Rear Spacer, Narrow Column (276 only)
3c	267,070,080.53	Latch Finger, Long
3d	267,070,210.43	Latch Finger, Short (276 only)
3e	901,700,690.01	Rear Spacer Spring
4a	165,000,031.33	Protective Plate, LS Cabinet (not shown)
4b	165,000,041.63	Protective Plate, RS Cabinet
5	493,070,100.03	276 Stack Sub Assembly
	534,070,100.03	300 Stack Sub Assembly
6a	493,070,200.03	Gate, w/a (276 only)
6b	231,070,140.13	Gate Hinge (276 only) (not shown)
6c	231,070,260.73	Gate Latch (276 only) (not shown)
7a	801,806,280.41	Mullion
7b	801,303,830.21	Mullion Cover, Metal (not shown)
7c	801,806,220.11	Mullion Cover, Plastic (obsolete)
8a	492,020,040.03	Breaker Strip, Right
8b	492,020,050.03	Breaker Strip, Left
8c	493,020,060.03	Breaker Strip, Top
9a	480,000,100.13	Ballast Plate Assembly (not shown)
	491,020,800.23	Ballast Plate Assembly - IEC Standard (not shown)
9b	432,020,070.23	Ballast Plate (not shown)
	492,050,140.03	Ballast Plate - IEC Standard (not shown)
10	900,502,490.71	Leveling Leg, 5/8" (4)
11	491,070,020.13	Mounting Bracket, Rear (not shown)
12	437,010,030.13	Rodent Guard, Narrow (not shown)
	476,010,400.13	Rodent Guard, Narrow - IEC Standard (not shown)
13	804,400,360.01	Transformer, Basler Isolation (not shown)
14	804,902,170.11	Transformer, Jumper (not shown)
15	not applicable	Transformer, Jumper - IEC Standard (not shown)
16a	901,902,280.01	Heyco Wire Clip #3699 (not shown)
16b	900,901,590.01	Cable Clamp, Green (not shown)

E1a	901,100,430.01	Pop Rivet, 1/4" (10)
B5	900,301,730.21	Self-Tapping Screw 1/4 - 20 x 1 (4)
E1b	901,100,440.01	Drive Rivet, 1/4" (10)
D2	900,700,890.01	Lock Washer, 5/8"
E2	901,100,520.01	Pop Rivet, 1/8"

Cabinet & Vend Mechanism - Coke (Landscape)

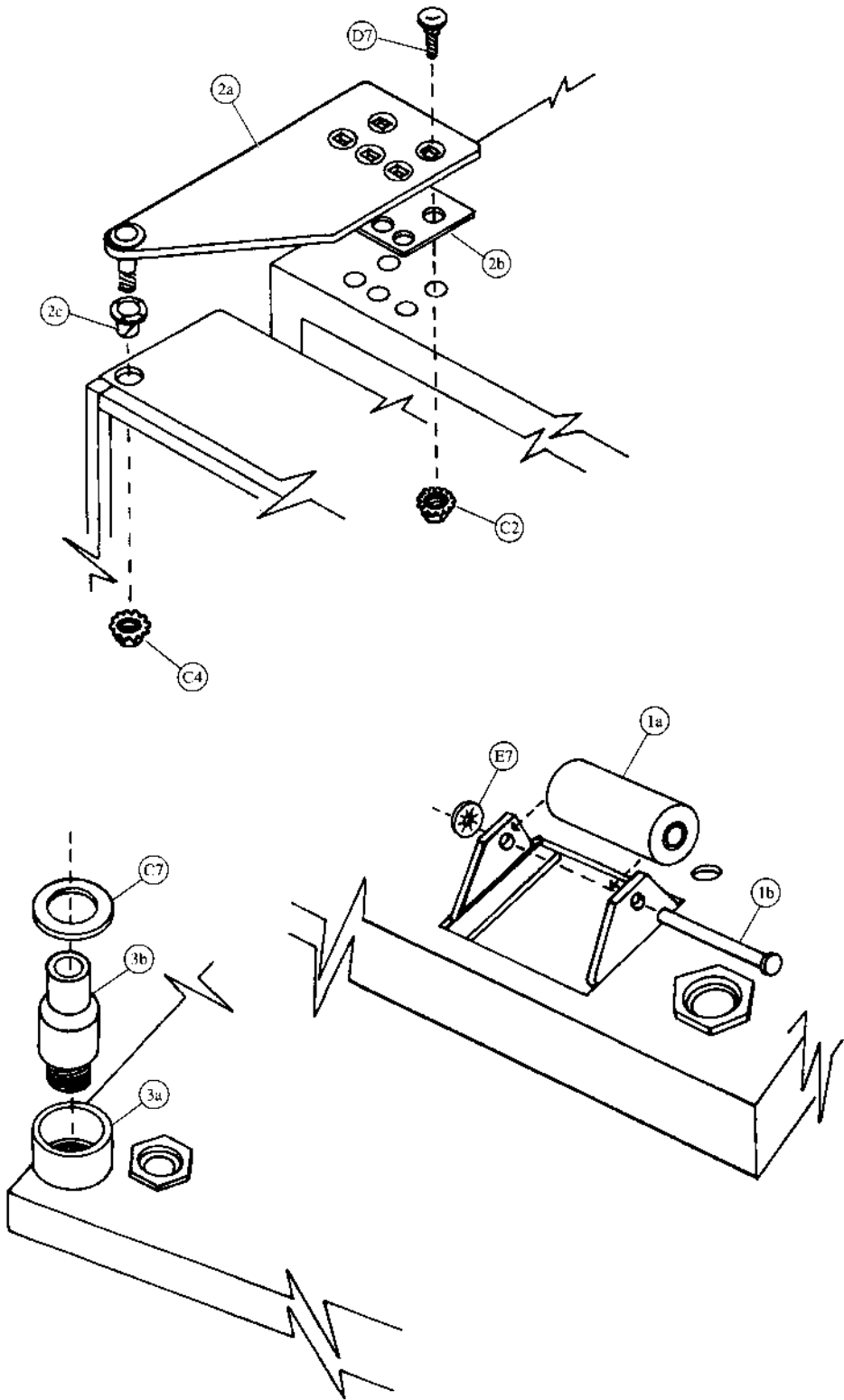


Cabinet & Vend Mechanism - Coke (Landscape)

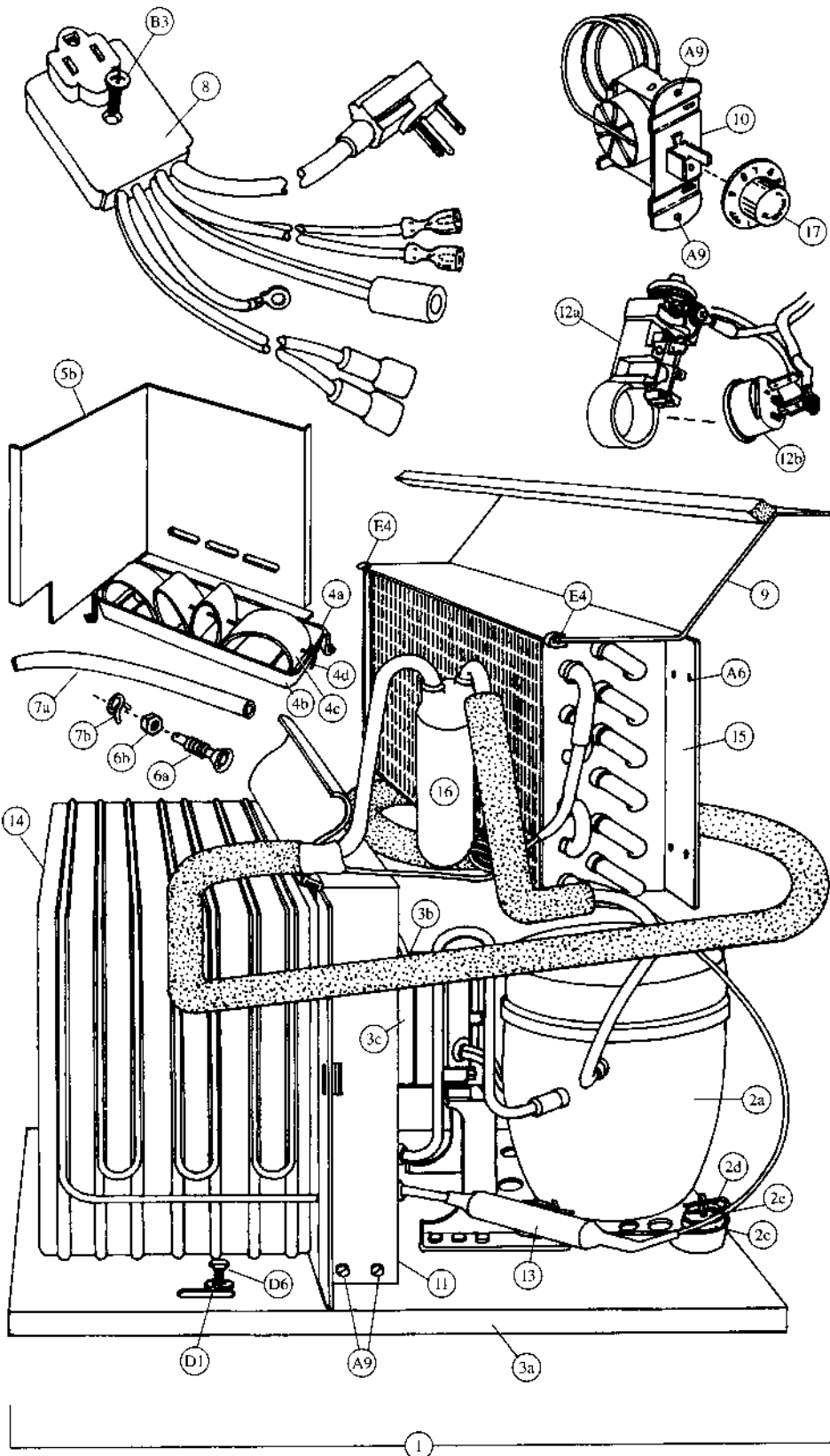
Item	Part Number	Part Name And Description
1	493,170,010.23	Vend Motor Cover, Narrow
	491,071,300.03	Vend Motor Cover, Narrow - IEC Standard
2a	See list below	Vend Motor Assembly, Wide
	491,070,300.03	Single Price
	491,170,100.03	Two/Four Price
2b	801,806,390.21	Vend Cam, Blue
2c	801,806,400.11	Adjustable Cam, Gold
3a	See list below	Vend Motor Assembly, Narrow (276 only)
	491,070,400.03	Single Price
	491,170,200.03	Two/Four Price
3b	801,806,180.21	Vend Cam, Brown (276 only)
3c	801,806,610.21	Adjustable Cam, Brown (276 only)
4	See list below	Vend Motor Switch
	804,100,600.01	Single Price (Double Switch)
	804,100,690.01	Single Price - IEC Standard (Double Switch)
	804,100,700.01	Two/Four Price - IEC Standard (Triple Switch)
5	905,800,330.11	Vend Motor Switch Insulator
6	801,201,211.61	Vend Rotor - Narrow Column (276 only)
7a	801,201,010.01	Vend Oscillator - Wide Column
7b	901,700,650.31	Can Retainer Oscillator
8a	801,803,170.21	Nyliner, Rear (not shown)
8b	901,804,230.01	Nyliner, Front - Wide Column only (not shown)
9	275,070,110.43	Wire Shield
10a	804,100,610.01	Sold Out Switch Assembly
	804,100,680.01	Sold Out Switch Assembly - IEC Standard
10b	432,070,190.13	Sold Out Paddle
10c	901,700,740.01	Sold Out Paddle Spring
11	491,020,070.33	Mechanism Support
12a	See list below	Evaporator Fan Motor Assembly
	491,000,200.03	115v
	491,140,400.03	220-240v
12b	See list below	Evaporator Fan Motor
	804,500,590.01	115v
	804,500,520.01	220-240v
12c	164,040,080.73	Evaporator Fan Motor Bracket
12d	801,303,270.11	Evaporator Fan Blade
12e	902,100,290.01	Silencer
13a	408,170,100.03	Can Chute Assembly (includes 13b & 13c)
13b	408,170,010.03	Can and Bottle Chute
13c	801,902,020.01	Chute Liner (Kydex)
14a	903,300,770.01	Foam Block
14b	169,000,130.03	Hinge Pocket Cover
15	176,072,110.13	Journal

C1	900,901,510.02	Screw, Phil Pan Tapping	
A3	900,301,830.01	Sems Screw #10 - 32 x 3/8	(8)
A6	900,600,230.02	Sheet Metal Screw, Type "A"	
B8	900,301,690.01	Hex Tap Screw #8 - 32 x 3/8	(3)
A8	900,301,820.01	Vend Motor Screw #4 x 1 1/6 - Double Switch	(16)
	900,301,610.01	Vend Motor Screw #4 x 1 1/2 - Triple Switch	
A9	900,301,560.01	Sems Screw #8 - 32 x 3/8	(28)
E5	900,401,090.01	Grommet, Black Rubber #97	(3)
C5	900,800,850.01	Speed Nut	
B1	900,301,850.01	Sems Screw #8 - 32 x 5/8	

Hinges and Rollers - Coke (Landscape)



Refrigeration - Coke (Landscape)



Refrigeration System - Coke (Landscape)

Item	Part Number	Part Name And Description
1	Provide information listed	Complete Refrigeration System: Indicate unit model number from serial plate on unit base plate, refrigerant, voltage/hertz and country.
2a	Provide information listed	Compressor ¼ HP: Indicate compressor manufacturer, voltage/hertz, refrigerant and complete manufacturer's model number.
2b	See listing below	Compressor Lead Harness (not shown)
	904,900,611.01	All, except IEC Standard
	804,904,340.01	220-240v/50hz, IEC Standard
2c	902,000,570.01	Compressor Mounting Grommet
2d	900,901,880.01	Compressor Mounting Retainer Clip
2e	901,803,910.01	Compressor Grommet Plug, Plastic
3a	491,040,040.43	Condenser Base Plate
3b	See list below	Condenser Fan Motor Assembly
	491,040,200.03	115v
	491,140,300.03	220-240v
3c	See list below	Condenser Fan Motor
	804,500,670.01	115v
	804,500,700.01	220-240v
3d	800,103,370.02	Fan Blade (not shown)
4a	491,000,100.03	Drain Pan Assembly
4b	801,303,670.11	Drain Pan
4c	901,900,020.21	Soaker (8 required)
4d	901,400,060.11	Soaker Rod
5a	491,040,030.33	Condenser Baffle, Right Side (not shown)
5b	493,040,040.03	Condenser Baffle, Rear
6a	801,806,050.11	Drain Tube
6b	900,301,790.01	Drain Tube Nut
7a	901,900,500.01	Drain Hose
7b	900,901,030.01	Drain Hose Clamp
8	See listing below	Main Wiring Harness
	804,902,220.01 (a)	United States
	804,905,480.01 (b)	Australia, IEC 335 (not shown)
	804,905,490.01 (c)	United Kingdom, IEC 335 (not shown)
	804,902,160.21 (d)	Europe (not shown)
	804,903,160.01 (e)	Mexico (not shown)
	804,905,450.01 (f)	Italy (not shown)
	804,905,470.01 (g)	Danish, IEC 335 (not shown)
804,905,360.01 (h)	Germany, with Splashwater Protector (not shown)	
9	143,040,011.13	Top Fan Housing
10	802,800,410.01	Temperature Control
11	491,040,110.43	Fan Shroud Condenser
12a	Provide information listed	Relay: Indicate compressor manufacturer, model # and voltage/hz
12b	Provide information listed	Overload: Indicate compressor manufacturer, model # and voltage/hz
13	802,401,260.01	Dryer
14	802,600,560.01	Condenser
15	802,600,370.51	Evaporator
16	802,400,460.01	Accumulator
17	802,800,420.01	Knob, Temperature Control
A6	900,600,230.02	Sheet Metal Screw, Type "A" (not shown) (2)
A9	900,301,560.01	Sems Screw #8 - 32 x ¾ (8)
B3	900,301,810.01	Screw, #10 - 32 x 1½
D1	900,700,360.01	Lockwasher, ¾" (2)
E4	900,901,890.01	Tinnerman Clip (2)
D6	900,400,440.01	Refrigeration Bolt ¾ - 16 x 1 (2)

Signs and Decals - Coke (Landscape)



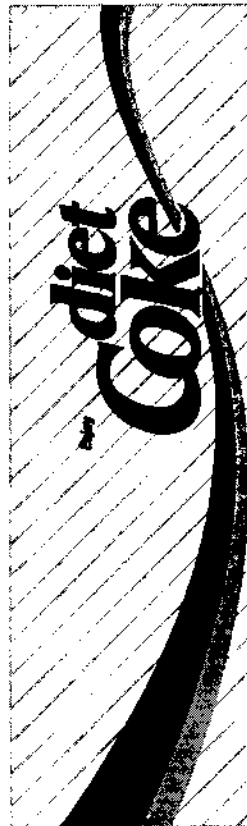
1



4



2

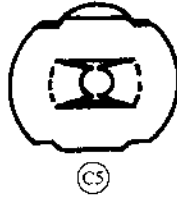
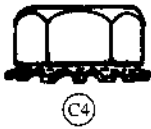
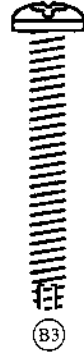


5

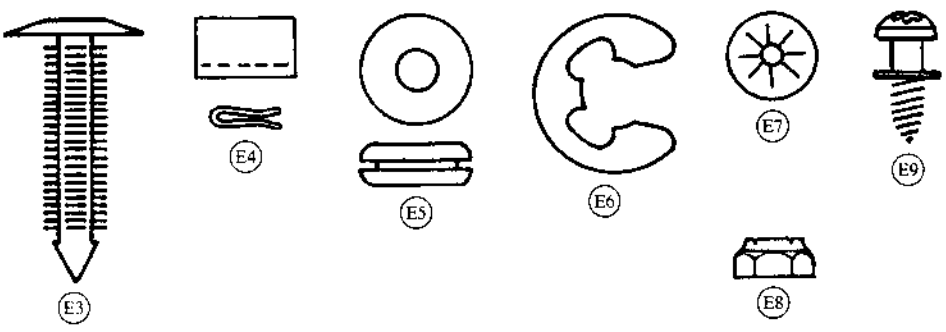
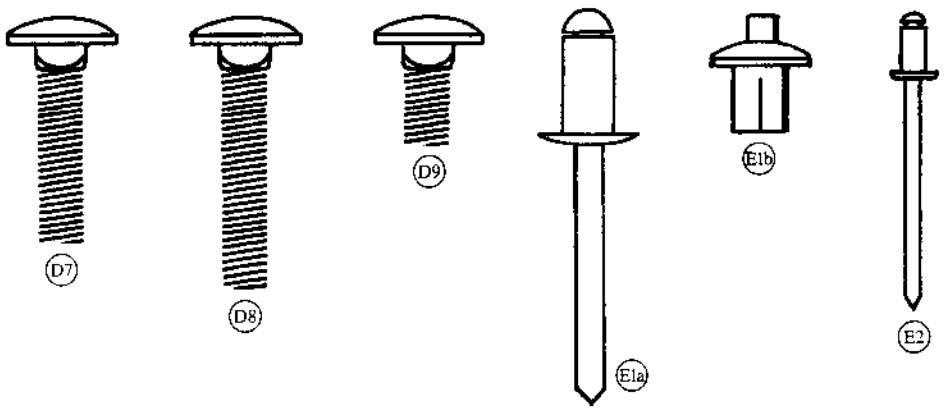
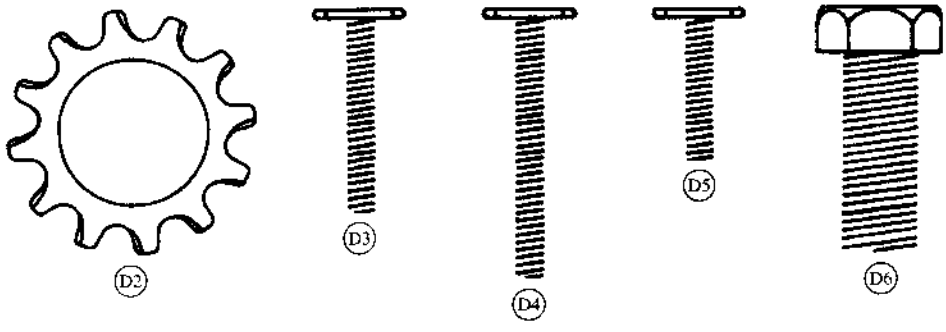
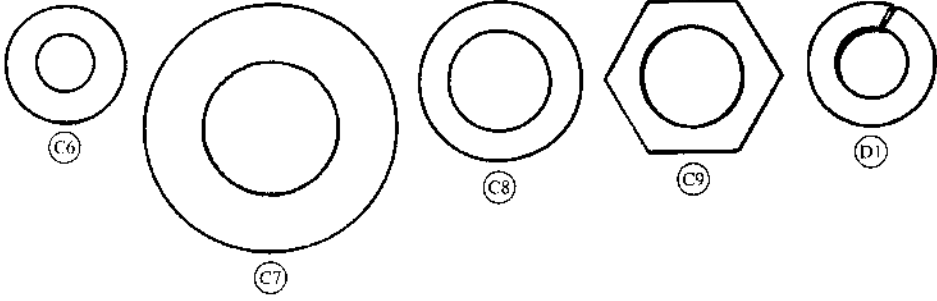
Signs & Decals - Coke (Landscape)

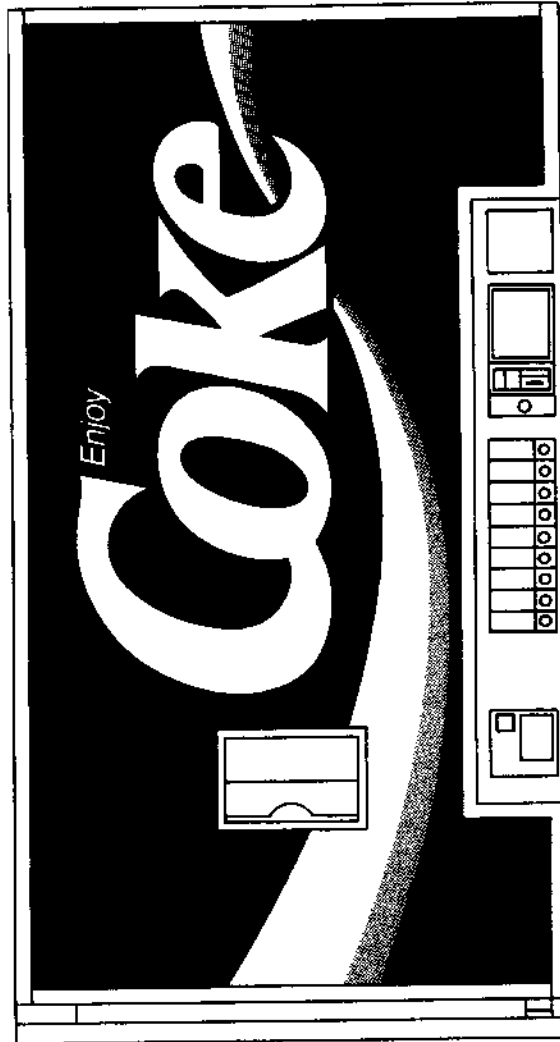
Item	Part Number	Part Name And Description
1	See list below	Circular Coke Signs
	805,006,470.31	Coca-Cola (USA) (shown)
	805,006,670.01	Coca-Cola Beba
	805,006,700.01	Coca-Cola French
	805,006,780.01	Coca-Cola International
	805,007,230.01	Coca-Cola Italy
	805,007,820.01	Coca-Cola Buvez
	805,008,050.01	Coca-Cola Australia
	805,008,450.01	Coca-Cola Dominant Chinese Front
	805,008,650.01	Coca-Cola Tome Buenos Aires
	805,009,530.01	Coca-Cola Taiwan
	805,009,680.01	Coca-Cola Can On Ice
	805,009,480.01	Coca-Cola Lit Bevette Italy
	2	805,006,600.01
3	805,009,390.01	Minute Maid Sign
4	See list below	Coca-Cola Side Decals
	803,822,210.11	Coca-Cola (USA) (shown)
	803,823,110.01	Coca-Cola Beba
	803,823,280.01	Coca-Cola CSA French
	803,823,390.01	Coca-Cola International
	803,825,030.01	Coca-Cola Italy
	803,826,140.01	Coca-Cola France
	803,827,620.01	Coca-Cola Dominant English
	803,827,670.01	Coca-Cola Tome Buenos Aires
	803,829,410.01	Coca-Cola Taiwan
	803,831,000.01	Coca-Cola Greece
	803,829,390.01	Coca-Cola Light Bevette
903,829,390.01	Coca-Cola Lit Bevette Italy	
5	803,822,970.01	Diet Coke Side Decal (shown)
6	803,826,380.01	Minute Maid Side Decal

Screws & Nuts - Coke (Landscape)



Washers, Bolts & Misc. - Coke (Landscape)

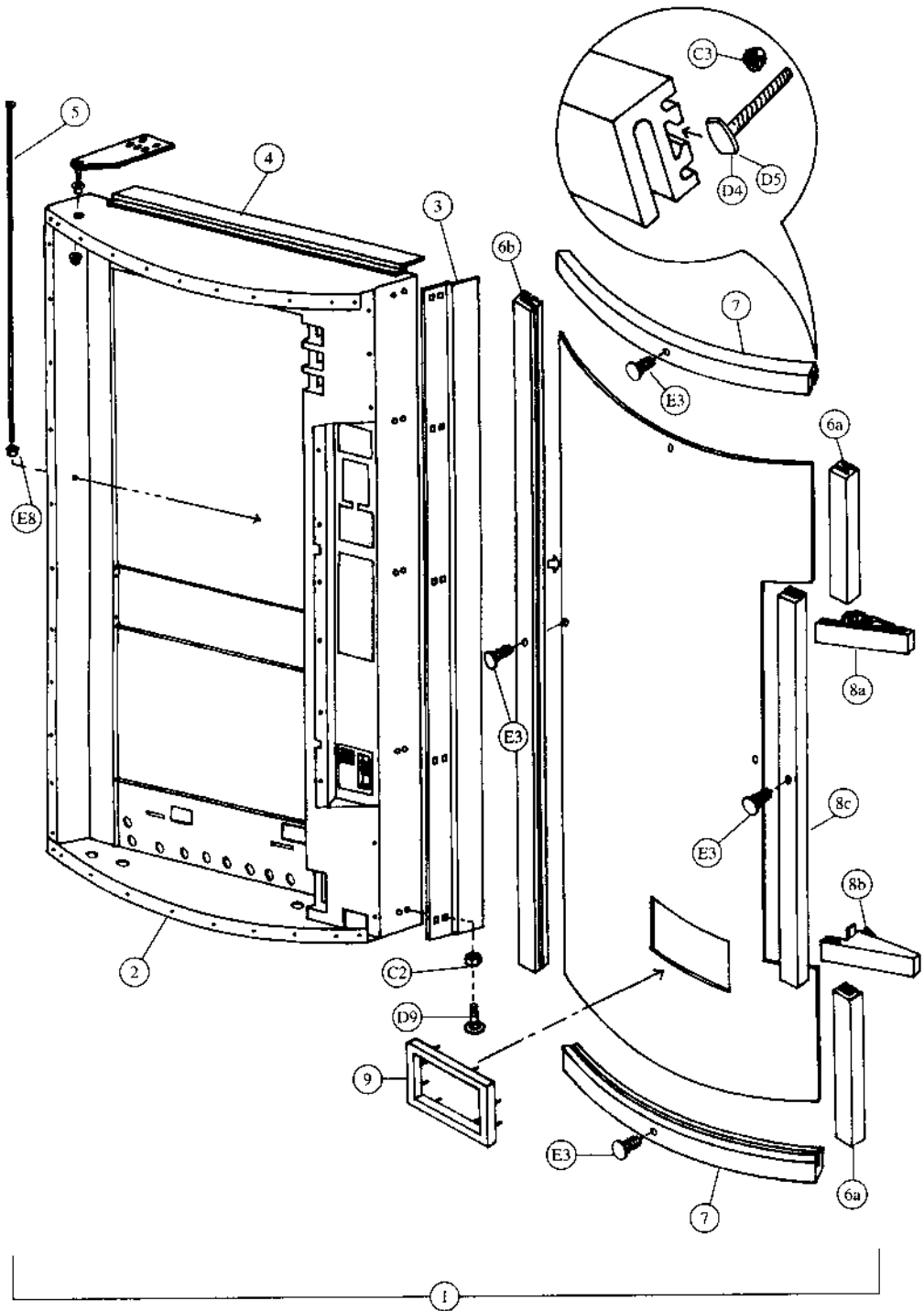




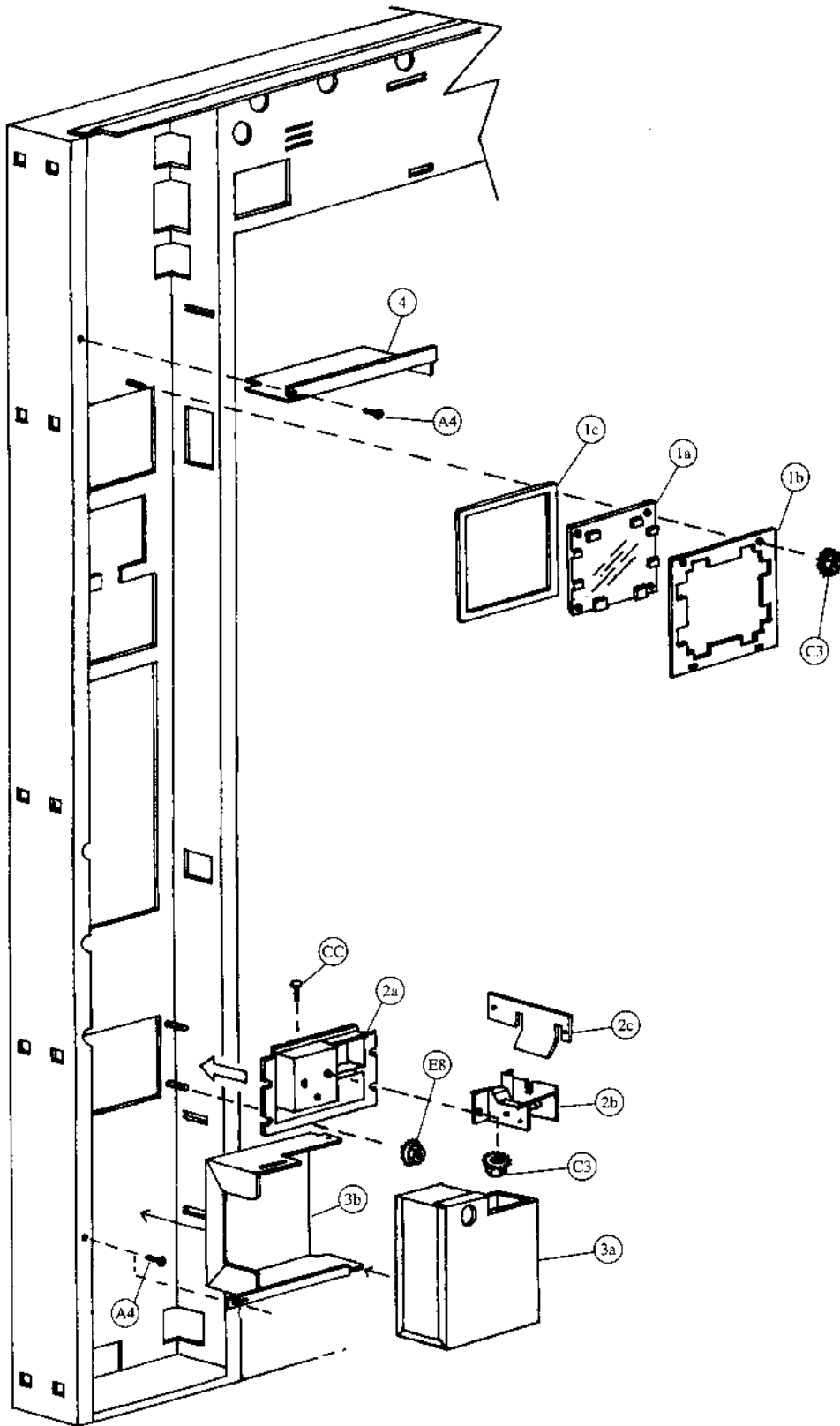
Coke (Landscape) DNCB 348CC

Dimensions	72" H x 37 1/6" W x 30 1/2" D (1829mm H x 940mm W x 775mm D)
Dimensions Less Door	72" H x 37 1/6" W x 27 1/2" D (1829mm H x 940mm W x 698mm D)
Approximate Weight	728 lbs. (330kg)
Selections/Columns	9/10
Total 12 oz. (330ml) Cans Capacity/Vend	350/330
Column Capacity 12 oz. (330ml) Cans	9 Single Columns - 32 Each 1 Double Column - 62 Each

Main Door - Exterior - Coke (Landscape)



Main Door - Interior (A) - Coke (Landscape)

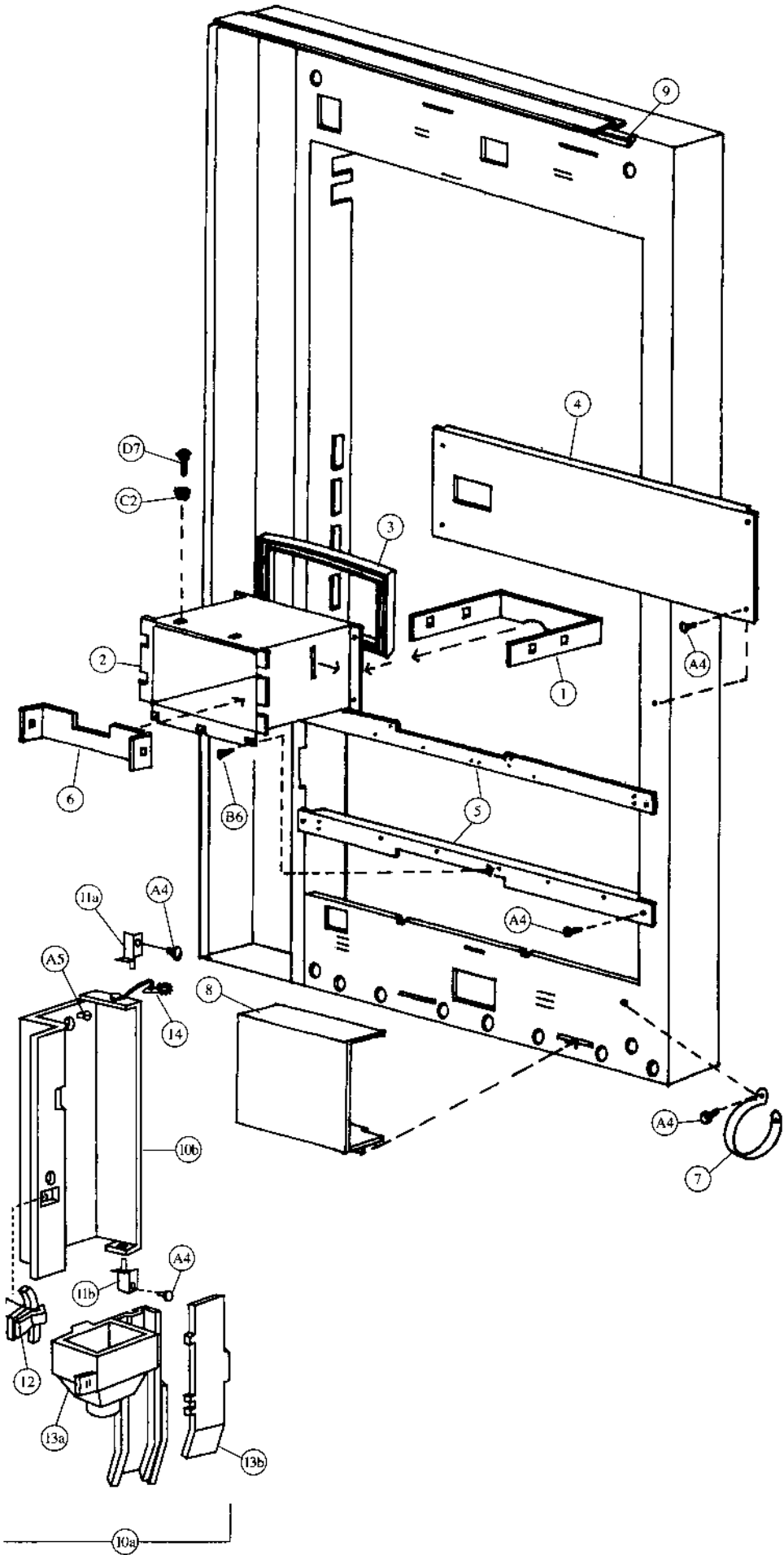


Main Door - Interior (A) - Coke (Landscape)

Item	Part Number	Part Name And Description
1a	801,806,930.01	Point Of Sale Window
1b	432,050,470.23	Point Of Sale Window Retainer
1c	902,001,030.01	Point Of Sale Window Gasket
1d	See list below	Point Of Sale Card (not shown)
	803,822,900.01	12 oz. Can (US & Canada)
	803,826,180.01	12 oz. Can (all others)
	803,826,360.01	"Coke Is It" (Taiwan)
	903,829,220.01	Minute Maid
	803,830,000.01	20 oz. Bottle
	803,829,230.11	16 oz. Bottle
	803,822,190.01	10 oz. Bottle
2a	801,805,610.11	Change Cup & Opener Bezel
2b	801,805,530.11	Change Cup
2c	399,050,270.13	Opener Housing Reinforcement Plate
3a	432,051,800.03	Lockable Cash Box, w/a
3b	432,050,181.43	Cash Box Shelf
4	432,050,340.43	Security Shelf
5	521,050,050.13	P.O.S. Window Security Channel (not shown)
6	901,000,190.01	Crown Puller (not shown)
7	432,050,400.03	Crown Catcher (not shown)
8	432,050,280.23	Crown Chute (not shown)

CC	901,201,220.11	Screw, Machine #8 - 32 x 3/4
E8	900,800,510.01	Elastic Stop Nut #8 - 32
B6	900,301,650.01	Screw, Phil Pan (with washer) #8 - 18 x 1/2 (not shown) (2)
C3	900,800,500.01	Keps Nut #8 - 32 (9)
B4	900,201,140.01	Screw, Machine Truss #10 - 32 1/2 (2)
A4	900,301,500.01	Screw, Phil Pan (without washer) #8 x 18 x 1/2

Main Door - Interior (B) - Coke (Landscape)

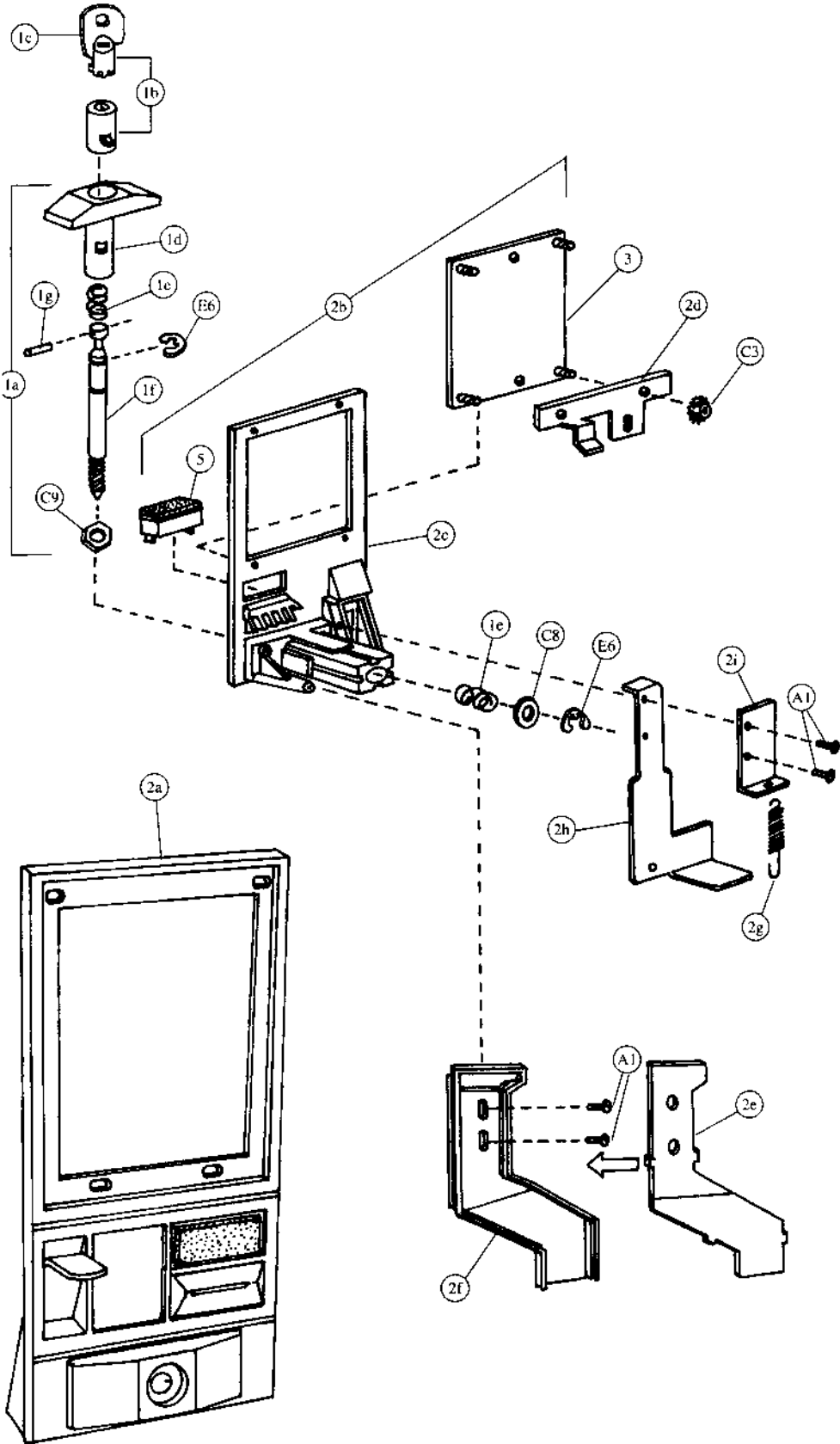


Main Door - Interior (B) - Coke (Landscape)

Item	Part Number	Part Name And Description
1	360,050,370.23	Discharge Member
2	801,806,030.61	Delivery Port (flush mount)
3	801,805,670.11	Port Spacer - Coke
4	453,150,010.23	Center Door Stiffener
5	480,050,060.03	Delivery Port Stiffener
6	432,010,510.13	Closure Strip
7	901,901,890.01	1" Clamp
8	432,050,660.03	Cover, Wire Plug
9	903,600,530.01	L-Profile Gasket
10a	491,050,600.03	Access Door Assembly (all)
10b	432,150,030.23	Access Door (all)
11a	432,051,000.03	Access Door Top Hinge, w/a
11b	432,051,101.63	Access Door Bottom Hinge, w/a
12	901,902,130.01	Access Door Latch
13a	801,806,580.11	Coin Hopper & Chute
13b	801,806,590.11	Coin Chute Front
14	804,902,610.01	4" Ground Wire (102mm)

B6	900,301,650.01	Screw, Phil Pan (with washer) #8 - 18 x 1/2 (3)
A5	900,301,970.01	Screw, Phil Pan #8 - 32 x 1/4
C3	900,800,500.01	Keps Nut #8 - 32
A4	900,301,500.01	Screw, Phil Pan (without washer) #8 - 18 x 1/2 (9)
D7	900,201,170.01	Carriage Bolt 1/4 - 20 x 1 (6)
C2	900,800,670.01	Keps Nut 1/4 - 20 (6)
A9	900,301,560.01	Sems Screw #8 - 32 x 3/8
B7	900,302,010.01	Self-Tapping Screw 1/4 - 20 x 5/8

Pull-Out Handle & Coin Insert - Coke (Landscape)

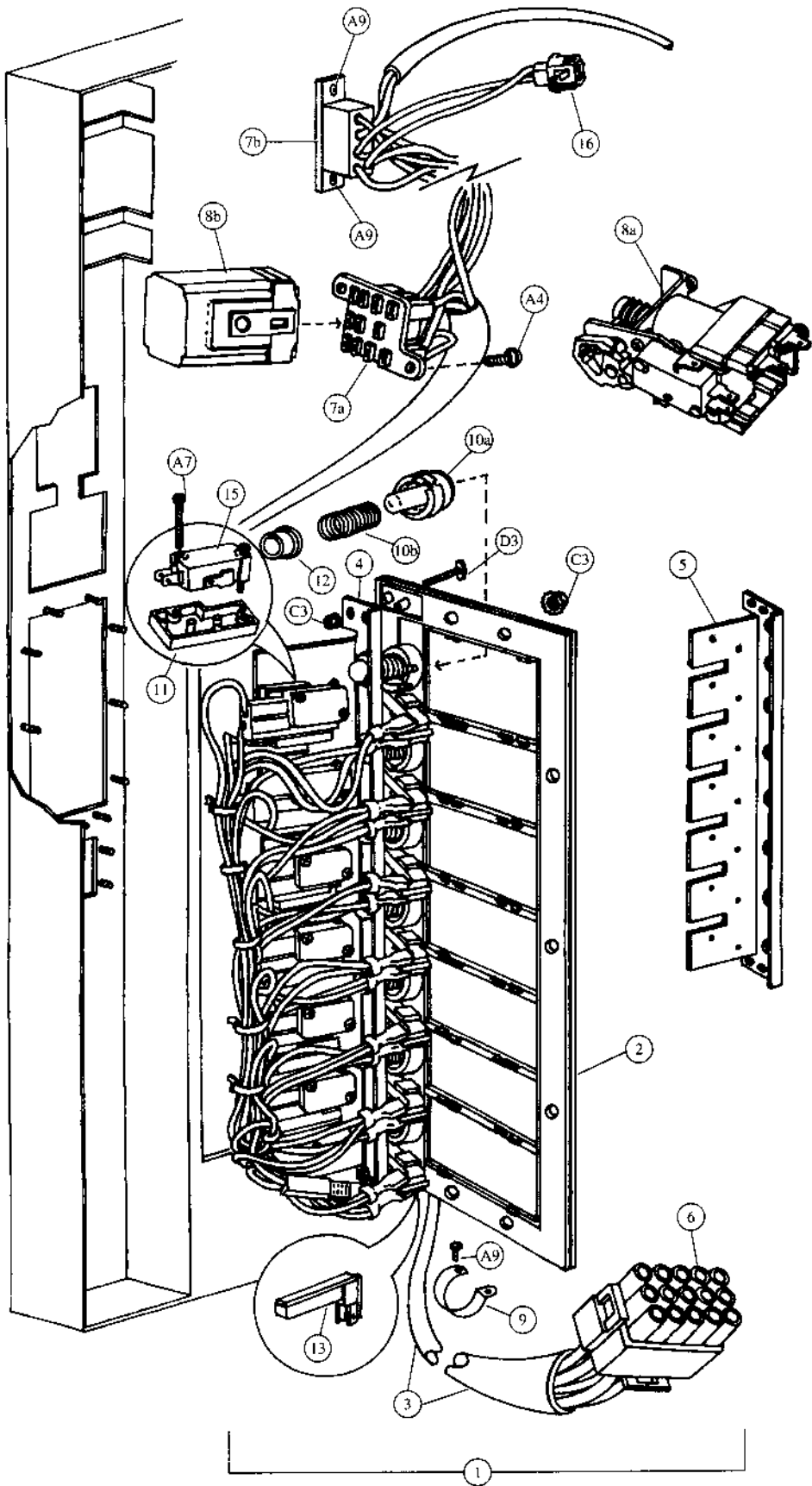


Pull-Out Handle & Coin Insert - Coke (Landscape)

Item	Part Number	Part Name And Description
1a	801,503,040.01	T Handle Assembly
1b	Specify key number	Lock with Two Keys
1c	Specify key number	Key Only
1d	801,505,730.01	Handle Only
1e	901,503,050.01	Spring
1f	4255-6-44W	Stud
1g	901,503,090.11	Cross Pin
2a	See list below	Complete Coin Insert Kit with T Handle
	491,010,800.04	Domestic (USA and Canada)
	Not applicable	Export (All others except listed below)
	Not applicable	Mexico
	Not applicable	Argentina - Token
2b	See list below	Complete Coin Insert Kit without T Handle
	491,050,500.03	Domestic (USA and Canada)
	491,150,500.03	Export (All others except listed below)
	480,350,500.03	Mexico
	480,550,500.03	Argentina - Token
2c	See list below	Coin Insert Only
	801,201,160.41	Domestic (USA and Canada)
	801,201,170.21	Export (All others except listed below)
	801,201,280.11	Mexico
	801,201,270.21	Argentina - Token
2d	453,050,130.83	Coin Insert Retainer
2e	801,805,800.31	Coin Chute Cover
2f	801,805,790.61	Coin Chute
2g	901,700,630.11	Spring Extension
2h	453,050,800.03	Coin Return Plunger Assembly
2i	432,050,570.33	Plunger Bracket
3	432,050,210.23	Validator Plate
4	See list below	Instruction Label (not shown)
	803,822,940.01	English
	903,832,680.01	Irish
	803,825,760.01	Spanish
	803,825,410.01	French
	803,825,750.01	Italian
	803,825,740.01	German
5	See list below	Correct Change Lamp
	904,700,180.31	English "Use Correct Change"
	804,700,500.11	English, IEC Standard "Use Correct Change"
	804,700,440.31	Spanish "Importe Exacto"
	804,700,450.01	French "Faites L'Appoint"
	804,700,400.21	Italian "Usare Monete Contate"
	804,700,470.21	Turkish "Lutfen Para Atiniz"
	804,700,480.21	German "Abgezahltes Geld Verwendeb"
	904,700,490.21	Portuguese "Introduza Quantia Exacta"
6	801,806,080.11	Drip Chute (not shown)

E6	901,503,070.01	E Ring (2)
C8	901,503,060.01	Flat Washer
C9	901,503,080.01	Hex Washer
A1	900,301,700.01	Sems Screw #6-32 x 3/8 (4)
C3	900,800,500.01	Keps Nut #8-32 (4)

Select Panel - Coke (Landscape)

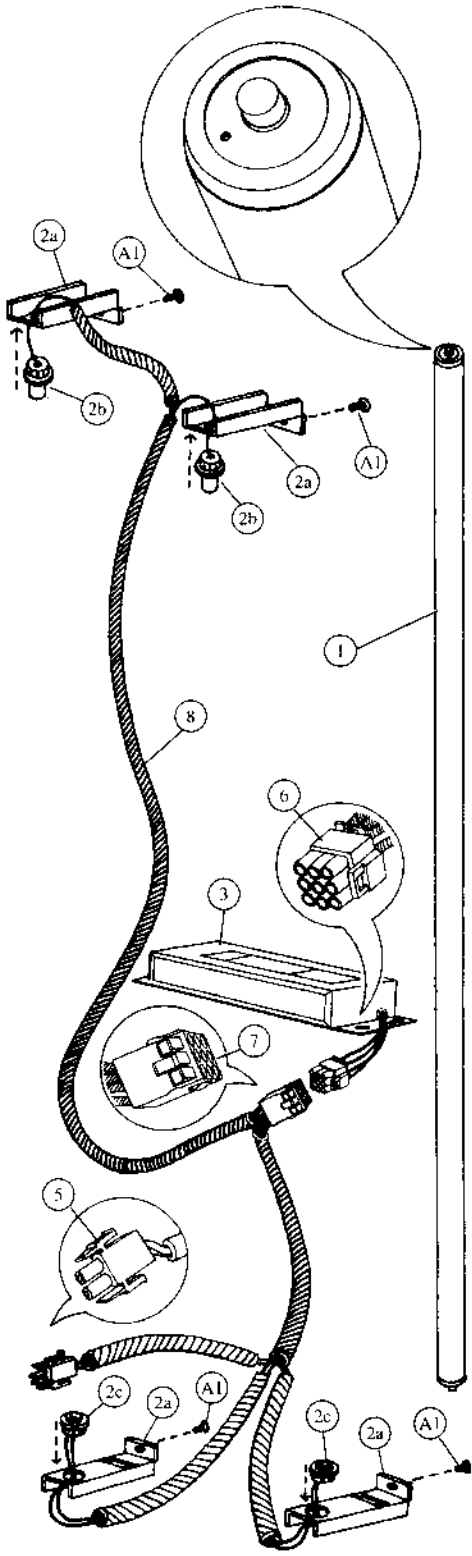


Select Panel - Coke (Landscape)

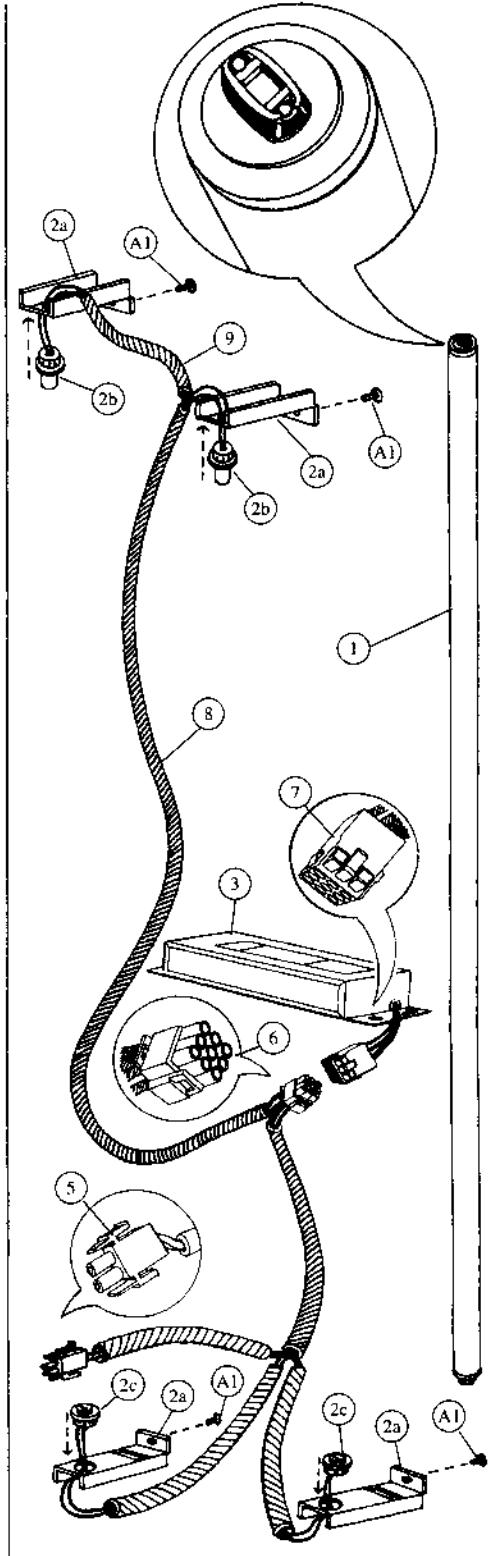
Item	Part Number	Part Name And Description
1	499,050,400.03	Select Panel Assembly (specify harness)
2	801,805,750.01	Select Panel
3	See list below	Door Harness
	804,903,730.31	Single Price & Single Price - IEC Standard
	804,903,970.41	Two Price & Two Price - IEC Standard
	804,904,140.41	Four Price & Four Price - IEC Standard
4	499,050,700.03	Select Switch Bar Assembly
5	437,050,030.63	Select Switch Bar
6	904,600,830.01	15-Way Plug
7a	904,600,620.01	Socket, Relay
7b	904,600,600.01	Socket, Coin Changer
8a	804,200,190.01	Sequence Relay
8b	804,200,170.01	Vend Relay (single price only)
9	901,901,890.01	1" Clamp
10a	801,805,710.21	Push Button
10b	901,700,720.11	Push Button Spring
11	801,805,920.21	Switch Insulator
12	902,000,580.01	Nylet
13	804,700,210.01	Sold Out Lamp
14	Indicate flavor	Flavor Cards (not shown)
15	804,100,710.01	Select Switches (single Micro)
16	904,600,700.01	2-Way Cap

A4	900,301,500.01	Screw, Phil Pan (without washer) #8 - 18 x 1/2 (2)
A9	900,301,560.01	Sems Screw #8 - 32 x 3/8 (7)
A7	900,300,470.01	Screw, Phil Pan #4 x 3/4 (14)
D3	900,400,430.01	T-Bolt #8 - 32 x 1 (4)
C3	900,800,500.01	Keps Nut #8 - 32 (14)

Lighting - Coke (Landscape)



Slimline



High-Output

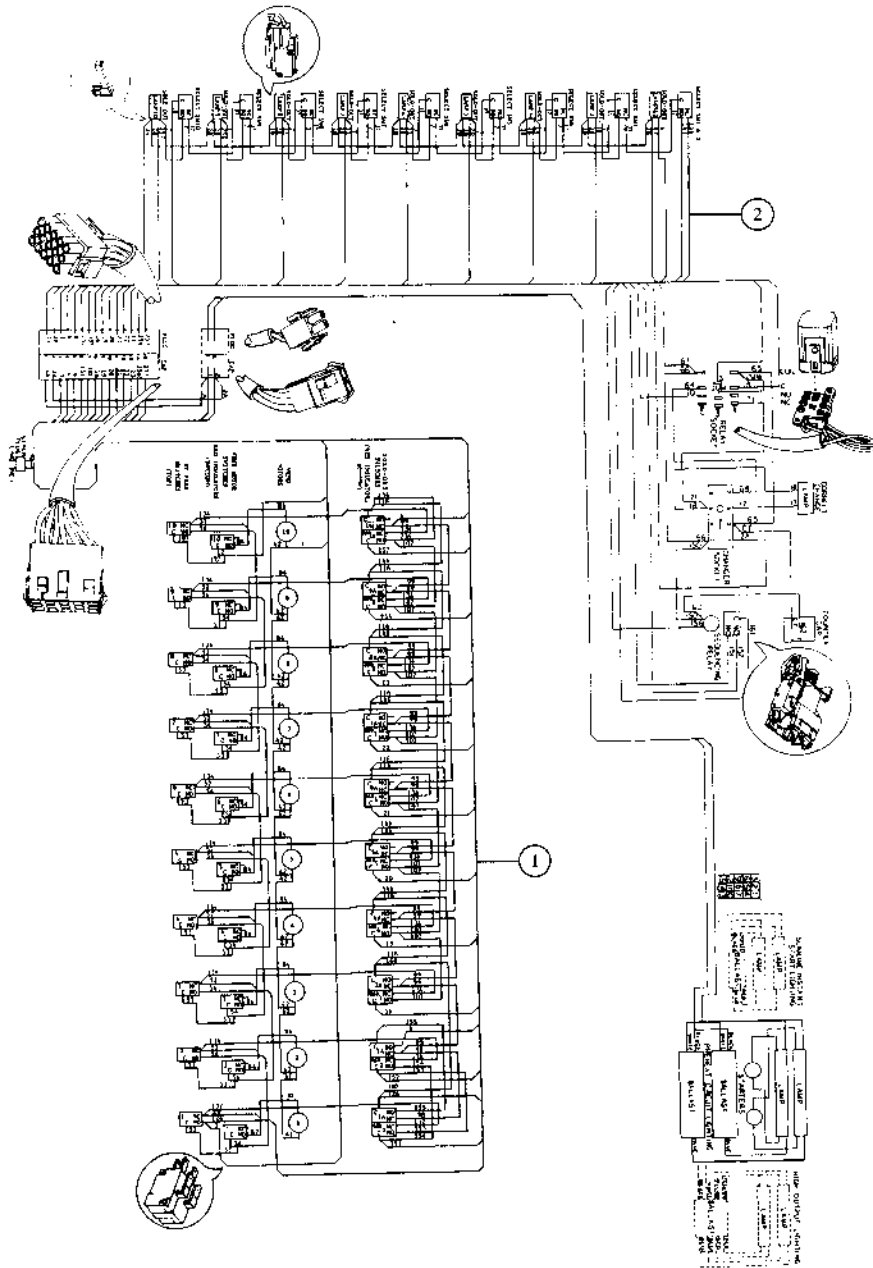
Lighting - Coke (Landscape)

Item	Part Number	Part Name And Description
High-Output Lighting		
1	804,700,370.01	Fluorescent Bulb - F64T12/D/HO
2a	432,050,380.63	Door Bracket Lamp Socket
2b	804,901,990.01	Top Lamp Holders - 523
2c	804,902,000.01	Bottom Lamp Holders - 524
3	804,400,380.01	Plug-In Ballast, Advance #VSM/HO
4	904,800,520.01	Connector, Electrical (not shown) (scotchlock 557)
5	904,600,710.01	2-Way Plug
6	904,600,670.01	9-Way Plug
7	904,600,660.01	9-Way Cap
8	804,904,510.21	Plug-In Ballast Harness, High Output
9	804,904,920.11	Lamp Fixture Jumper, High Output

Slimline Lighting		
1	804,700,300.01	Fluorescent Bulb - F64T12/DAYLT
2a	432,050,380.63	Door Bracket Lamp Socket
2b	804,902,020.01	Top Lamp Holders - 516
2c	804,902,030.01	Bottom Lamp Holders - 517
3	804,400,370.11	Plug-In Ballast - Advance Slimline
4	904,800,520.01	Connector, Electrical (not shown) (scotchlock 557)
5	904,600,710.01	2-Way Plug
6	904,600,670.01	9-Way Plug
7	904,600,660.01	9-Way Cap
8	804,904,600.61	Plug-In Ballast Harness, Slimline

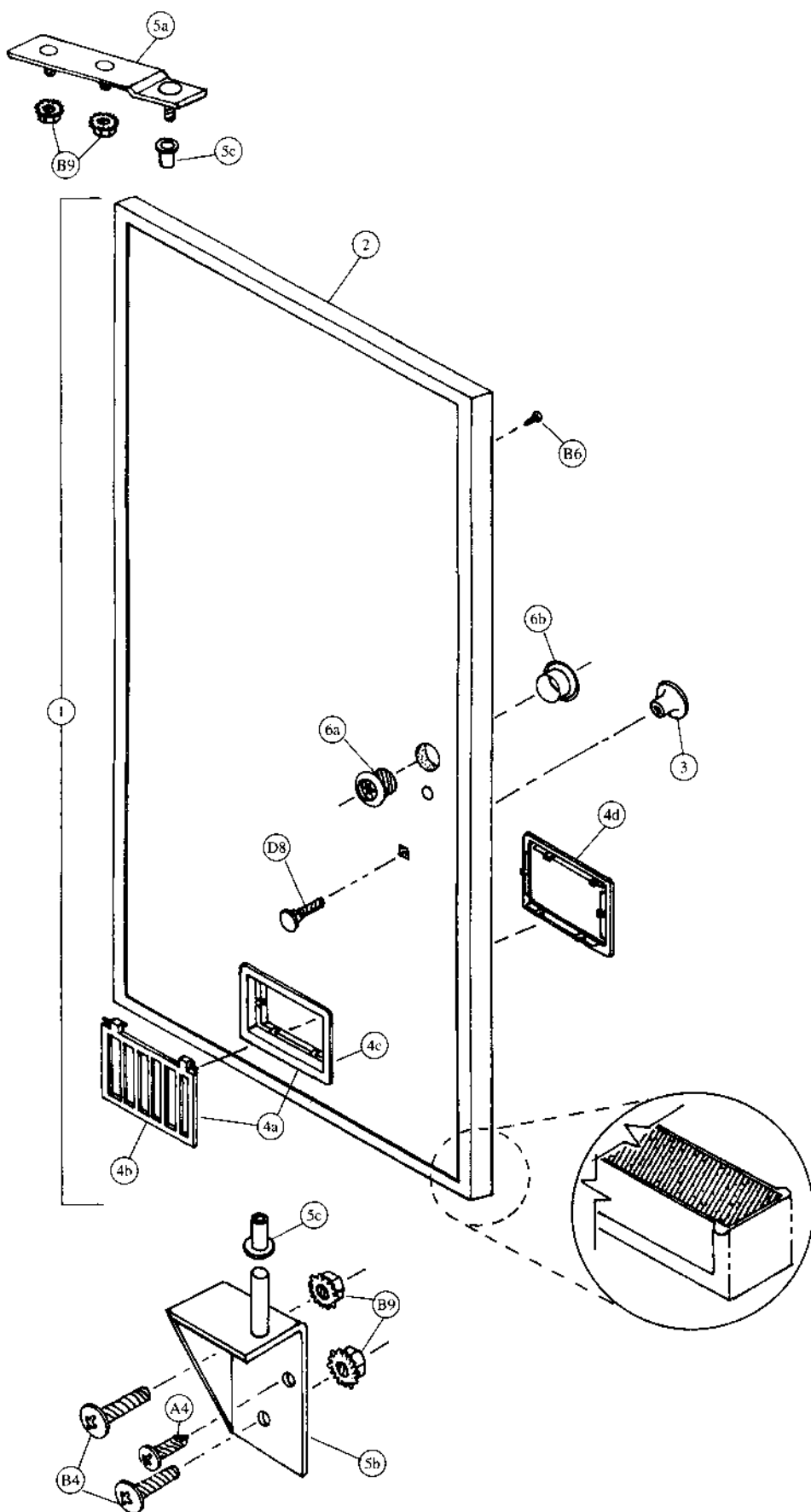
A1	900,301,700.01	Sheet Metal Screw #6 - 32 x 3/8 (4)
----	----------------	-------------------------------------

Wiring Harness - Coke (Landscape)

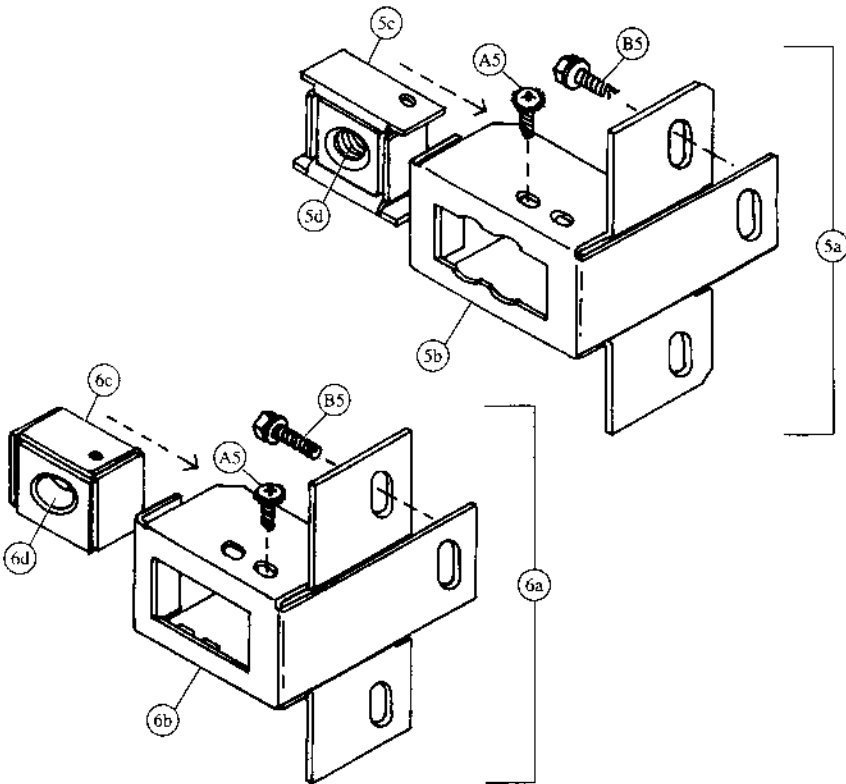
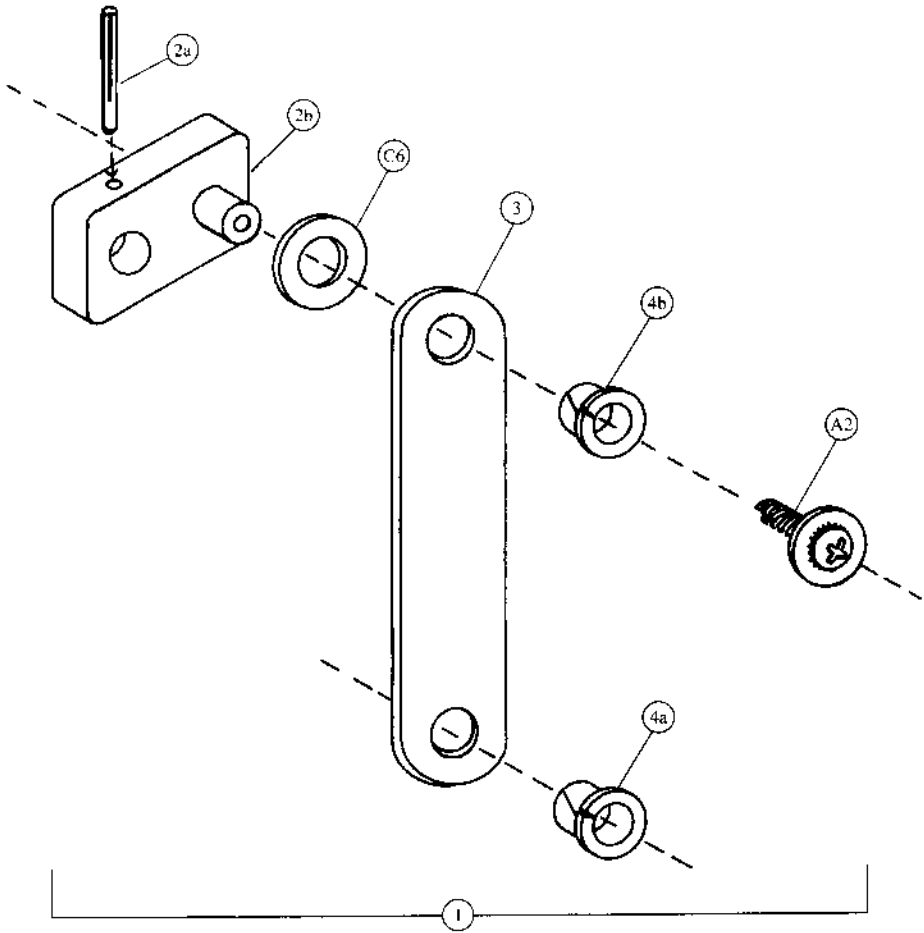


Sample Diagram
10 Column Dual Adaptable, Sequencing 1 & 2, Single Price

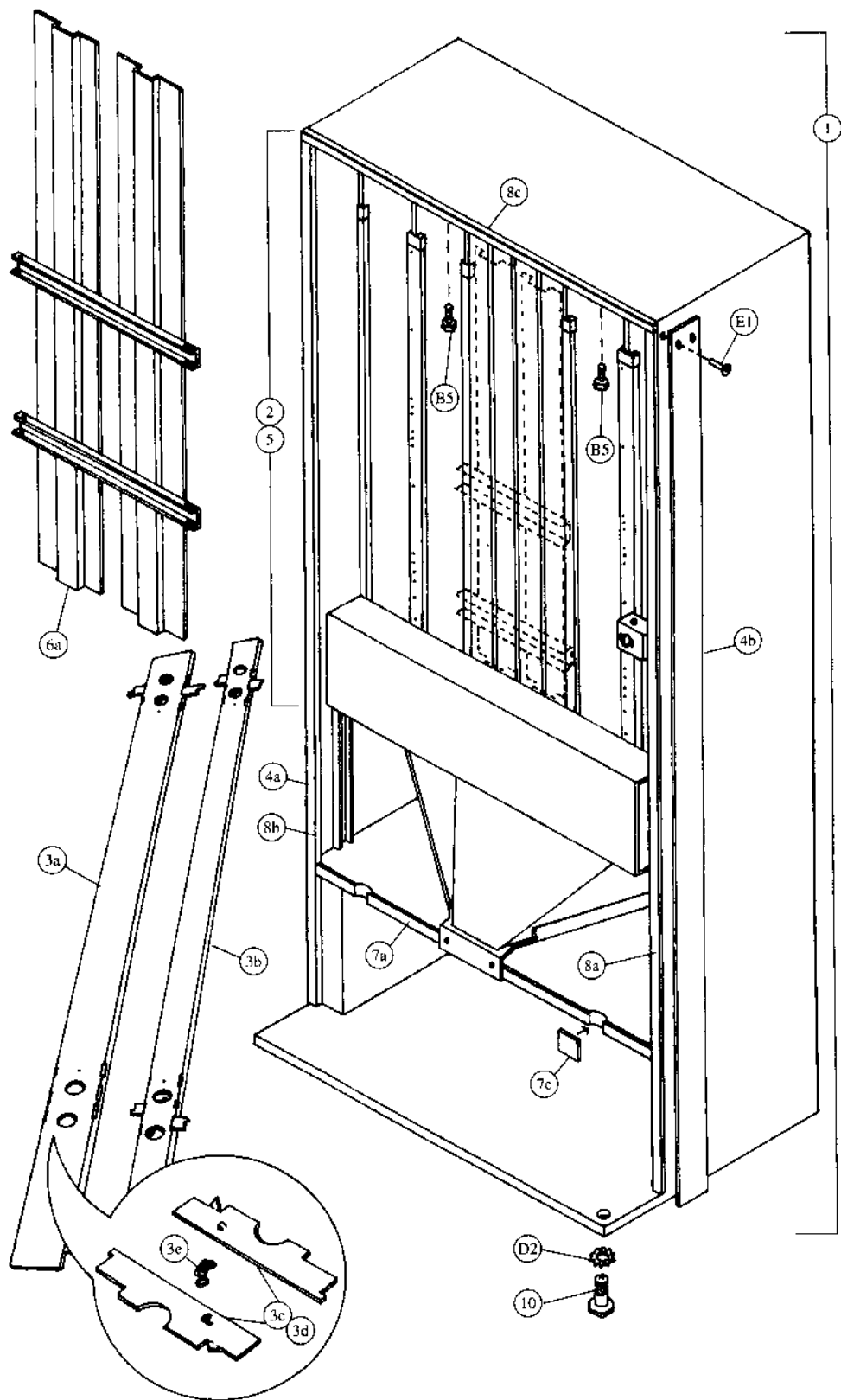
Inner Door - Coke (Landscape)



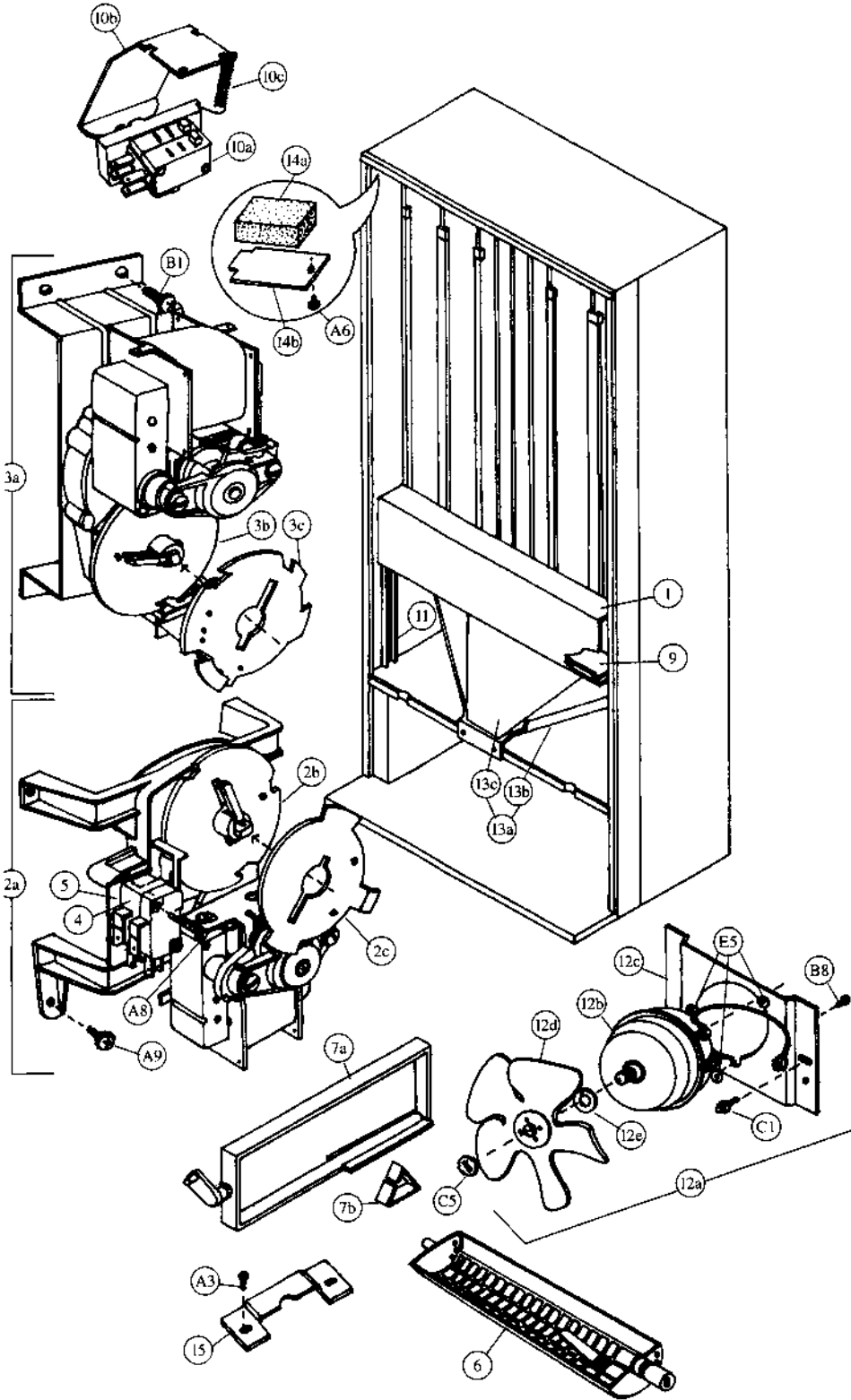
Two-Bar Linkage & Nut Retainer Housing - Coke (Landscape)



Cabinet Interior - Coke (Landscape)



Cabinet & Vend Mechanism - Coke (Landscape)



Cabinet & Vend Mechanism - Coke (Landscape)

Item	Part Number	Part Name And Description
1	491,070,050.33	Vend Motor Cover, Wide
	491,071,200.23	Vend Motor Cover, Wide - IEC Standard
2a	See list below	Vend Motor Assembly, Wide
	491,070,300.03	Single Price
	491,170,100.03	Two/Four Price
2b	801,806,390.21	Vend Cam, Blue
2c	801,806,400.11	Adjustable Cam, Gold
3a	See list below	Vend Motor Assembly, Narrow
	491,070,400.03	Single Price
	491,170,200.03	Two/Four Price
3b	801,806,180.21	Vend Cam, Brown
3c	801,806,610.21	Adjustable Cam, Brown
4	See list below	Vend Motor Switch
	804,100,600.01	Single Price (Double Switch)
	804,100,690.01	Single Price - IEC Standard (Double Switch)
	804,100,700.01	Two/Four Price - IEC Standard (Triple Switch)
5	905,800,330.11	Vend Motor Switch Insulator
6	801,201,211.61	Vend Rotor - Narrow Column
7a	801,201,010.01	Vend Oscillator - Wide Column
7b	901,700,650.31	Can Retainer Oscillator
8a	801,803,170.21	Nyliner, Rear (not shown)
8b	901,804,230.01	Nyliner, Front - Wide Column only (not shown)
9	267,070,370.43	Wire Shield
10a	804,100,610.01	Sold Out Switch Assembly
	804,100,680.01	Sold Out Switch Assembly - IEC Standard
10b	432,070,190.13	Sold Out Paddle
10c	901,700,740.01	Sold Out Paddle Spring
11	491,020,070.33	Mechanism Support
12a	See list below	Evaporator Fan Motor Assembly
	491,000,200.03	115v
	491,140,400.03	220-240v
12b	See list below	Evaporator Fan Motor
	804,500,590.01	115v
	804,500,520.01	220-240v
12c	164,040,080.73	Evaporator Fan Motor Bracket
12d	801,303,270.11	Evaporator Fan Blade
12e	902,100,290.01	Silencer
13a	491,071,100.03	Can Chute Assembly (includes 13b & 13c)
13b	211,170,010.43	Can and Bottle Chute
13c	211,070,020.43	Chute Liner (Kydex)
14a	903,300,770.01	Foam Block
14b	169,000,130.03	Hinge Pocket Cover
15	176,072,110.13	Journal

C1	900,901,510.02	Screw, Phil Pan Tapping	
A3	900,301,830.01	Sems Screw #10 - 32 x 3/8	(8)
A6	900,600,230.02	Sheet Metal Screw, Type "A"	
B8	900,301,690.01	Hex Tap Screw #8 - 32 x 3/8	(3)
A8	900,301,820.01	Vend Motor Screw #4 x 1 1/16 - Double Switch	(16)
	900,301,610.01	Vend Motor Screw #4 x 1 1/2 - Triple Switch	
A9	900,301,560.01	Sems Screw #8 - 32 x 3/8	(28)
E5	900,401,090.01	Grommet, Black Rubber #97	(3)
C5	900,800,850.01	Speed Nut	
B1	900,301,850.01	Sems Screw #8 - 32 x 5/8	

Refrigeration System - Coke (Landscape)

Item	Part Number	Part Name And Description
1	Provide information listed	Complete Refrigeration System: Indicate unit model number from serial plate on unit base plate, refrigerant, voltage/hertz and country.
2a	Provide information listed	Compressor 1/3 HP: Indicate compressor manufacturer, voltage/hertz, refrigerant and complete manufacturer's model number.
2b	See list below	Compressor Lead Harness (not shown)
	904,900,611.01	All, except IEC Standard
	804,905,320.01	220-240v/50hz, IEC Standard
2c	902,000,570.01	Compressor Mounting Grommet
2d	900,901,880.01	Compressor Mounting Retainer Clip
2e	901,803,910.01	Compressor Grommet Plug, Plastic
3a	491,040,040.43	Condenser Base Plate
3b	See list below	Condenser Fan Motor Assembly
	491,040,200.03	115v
	491,140,300.03	220-240v
3c	See list below	Condenser Fan Motor
	804,500,670.01	115v
	804,500,700.01	220-240v
3d	800,103,370.02	Fan Blade (not shown)
4a	491,000,100.03	Drain Pan Assembly
4b	801,303,670.11	Drain Pan
4c	901,900,020.21	Soaker (8 required)
4d	901,400,060.11	Soaker Rod
5a	491,040,050.53	Condenser Baffle, Right Side (not shown)
5b	491,040,060.63	Condenser Baffle, Rear
6a	801,806,050.11	Drain Tube
6b	900,301,790.01	Drain Tube Nut
7a	901,900,500.01	Drain Hose
7b	900,901,030.01	Drain Hose Ciamp
8	See listing below	Main Wiring Harness
	804,902,220.01 (a)	United States
	804,905,480.01 (b)	Australia, IEC 335 (not shown)
	804,905,490.01 (c)	United Kingdom, IEC 335 (not shown)
	804,902,160.21 (d)	Europe (not shown)
	804,903,160.01 (e)	Mexico (not shown)
	804,905,450.01 (f)	Italy (not shown)
	804,905,470.01 (g)	Danish, IEC 335 (not shown)
804,905,360.01 (h)	Germany, with Splashwater Protector (not shown)	
9	211,040,030.13	Top Fan Housing
10	802,800,410.01	Temperature Control
11	491,040,110.33	Fan Shroud Condenser
12a	Provide information listed	Relay: Indicate compressor manufacturer, model # and voltage/hz
12b	Provide information listed	Overload: Indicate compressor manufacturer, model # and voltage/hz
13	802,401,240.01	Dryer
14	802,600,550.01	Condenser
15	802,600,370.51	Evaporator
16	802,400,460.01	Accumulator
17	802,800,420.01	Knob, Temperature Control
A6	900,600,230.02	Sheet Metal Screw, Type "A" (not shown) (2)
A9	900,301,560.01	Sems Screw #8 - 32 x 3/4 (8)
B3	900,301,810.01	Screw, #10 - 32 x 1 1/2
D1	900,700,360.01	Lockwasher, 3/8" (2)
E4	900,901,890.01	Tinnerman Clip (2)
D6	900,400,440.01	Refrigeration Bolt 3/4 - 16 x 1 (2)

When Ordering Parts, Indicate Model # And Serial # Of Vender.
All Parts Numbers And Prices Are Subject To Change Without Notice.

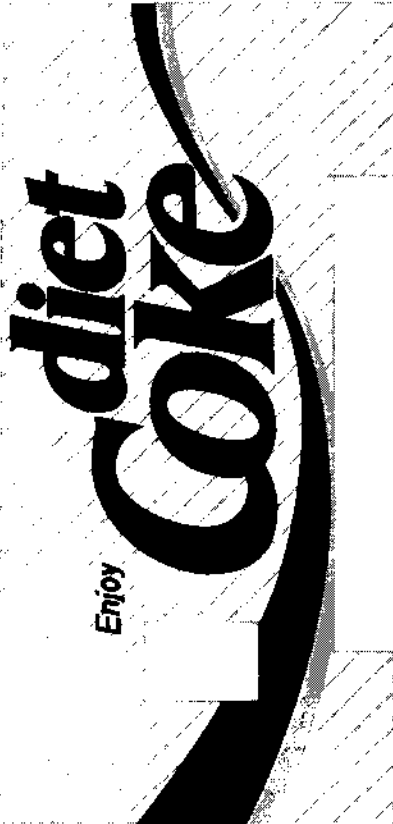
Signs and Decals - Coke (Landscape)



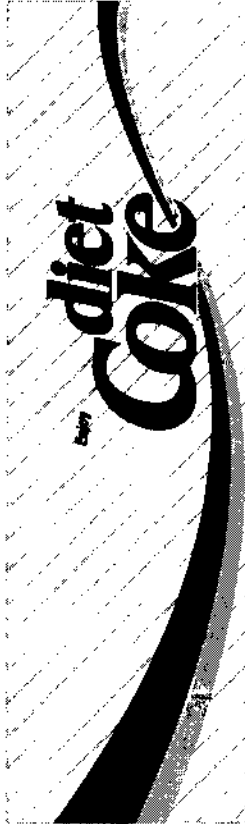
1



4



2



5

Signs & Decals- Coke (Landscape)

Item	Part Number	Part Name And Description
1	See list below	Circular Coke Signs
	805.006.460.31	Coca-Cola (USA) (shown)
	805.006.650.01	Coca-Cola Beba
	805.006.710.01	Coca-Cola CSA French
	805.006.720.01	Coca-Cola International
	805.006.770.01	Coca-Cola Italy
	805.006.910.01	Coca-Cola CSA English
	805.006.940.01	Coca-Cola Trink International
	805.006.950.01	Coca-Cola Buvez International
	805.007.140.01	Coca-Cola Horizontal
	805.007.360.01	Coca-Cola Puerto Rico
	805.007.680.01	Coca-Cola Arabic
	805.007.840.01	Coca-Cola Tome Circle
	805.007.960.01	Coca-Cola Light France
	805.008.290.01	Coca-Cola Australia
	805.008.730.01	Coca-Cola Coke Can On Ice
	805.009.950.01	Coca-Cola Greece
	805.010.140.01	Coca-Cola Coke Beba Can On Ice
	805.010.250.01	Coca-Cola Turkey
	805.008.440.01	Coca-Cola Light Sweden
	805.009.940.01	Coca-Cola Light Greece
	805.010.000.01	Coca-Cola Light Beba
	805.010.060.01	Coca-Cola Light Standard International
805.010.310.01	Coca-Cola Bevette Coke Light	
2	See list below	Coca-Cola Diet Coke Signs
	805.006.580.01	Diet Coke (USA) (shown)
	805.010.280.01	Diet Coke Turkey
3	805.008.000.01	Minute Maid Sign
4	See list below	Coke Side Decals
	803.822.210.11	Coca-Cola (USA) (shown)
	803.823.290.01	Coca-Cola Beba
	803.823.300.01	Coca-Cola International
	803.823.380.01	Coca-Cola Italian
	803.823.710.01	Coca-Cola CSA English
	803.823.770.01	Coca-Cola Buvez France
	803.825.370.01	Coca-Cola Dis Frute
	803.825.870.01	Coca-Cola Arab Bahrain
	803.826.150.01	Coca-Cola Tome Argentina
	803.831.000.01	Coca-Cola Greece
	803.833.030.01	Coca-Cola Turkey
	803.827.610.01	Coca-Cola Light Bromma
	803.830.990.01	Coca-Cola Light Greece
	803.826.310.01	Coca-Cola Light France
	803.831.090.01	Coca-Cola Light Beba
	803.831.470.01	Coca-Cola Light Standard International
	803.833.180.01	Coca-Cola Light Bevette
	5	See list below
803.822.970.01		Diet Coke (USA) (shown)
803.833.060.01		Diet Coke Turkey
6	803.826.380.01	Minute Maid Side Decal

Screws & Nuts - Coke (Landscape)



A1



A2



A3



A4



A5



A6



A7



A8



A8



A9



B1



B2



B3



B4



B5



B6



B7



B8



B9



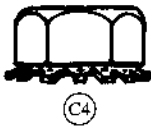
C1



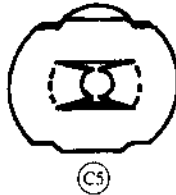
C2



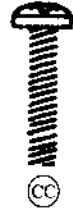
C3



C4



C5

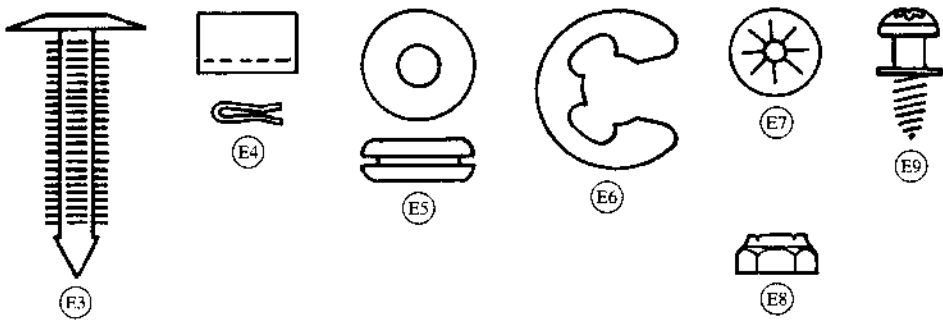
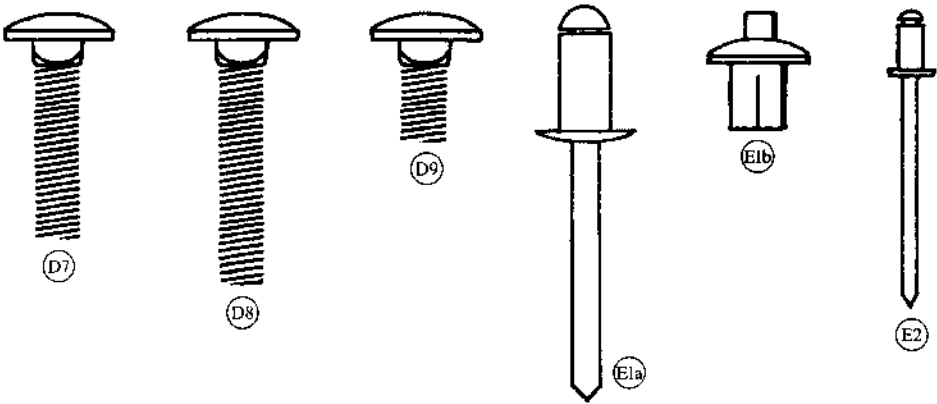
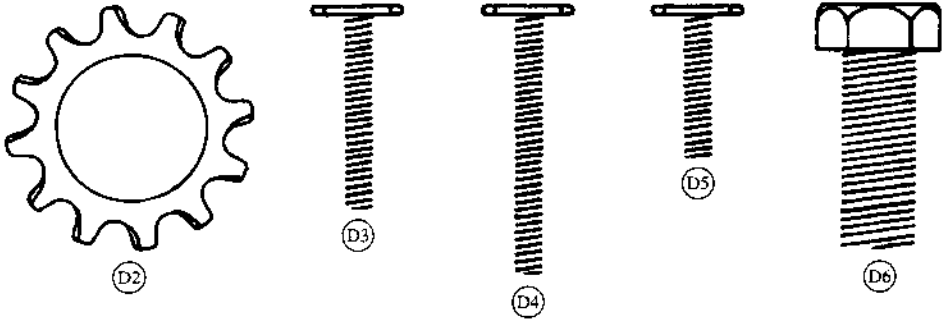
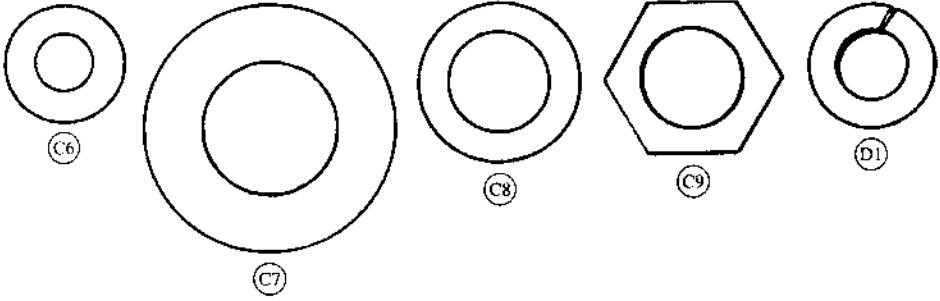


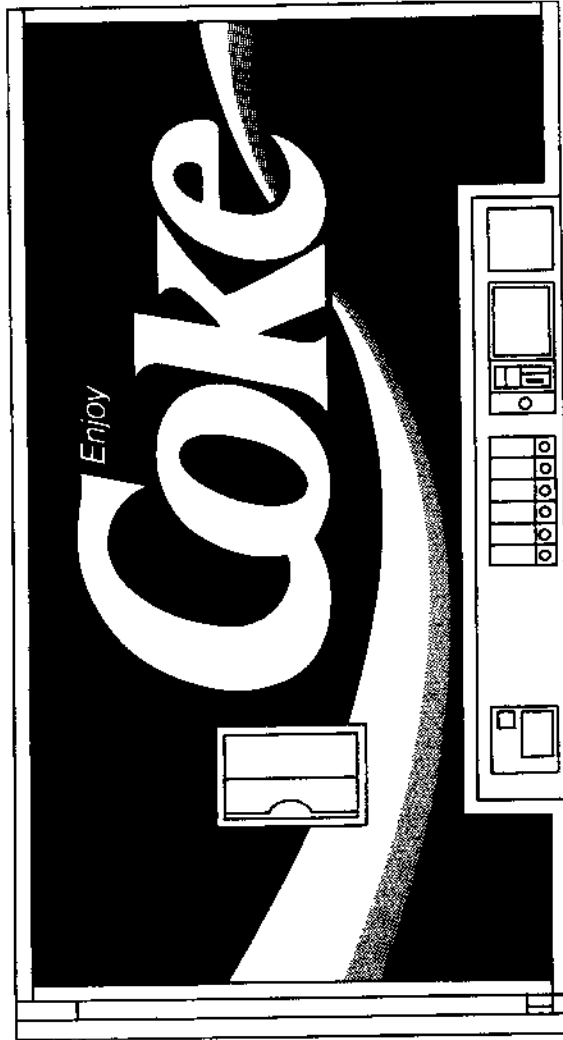
CC



DD

Washers, Bolts & Misc. - Coke (Landscape)

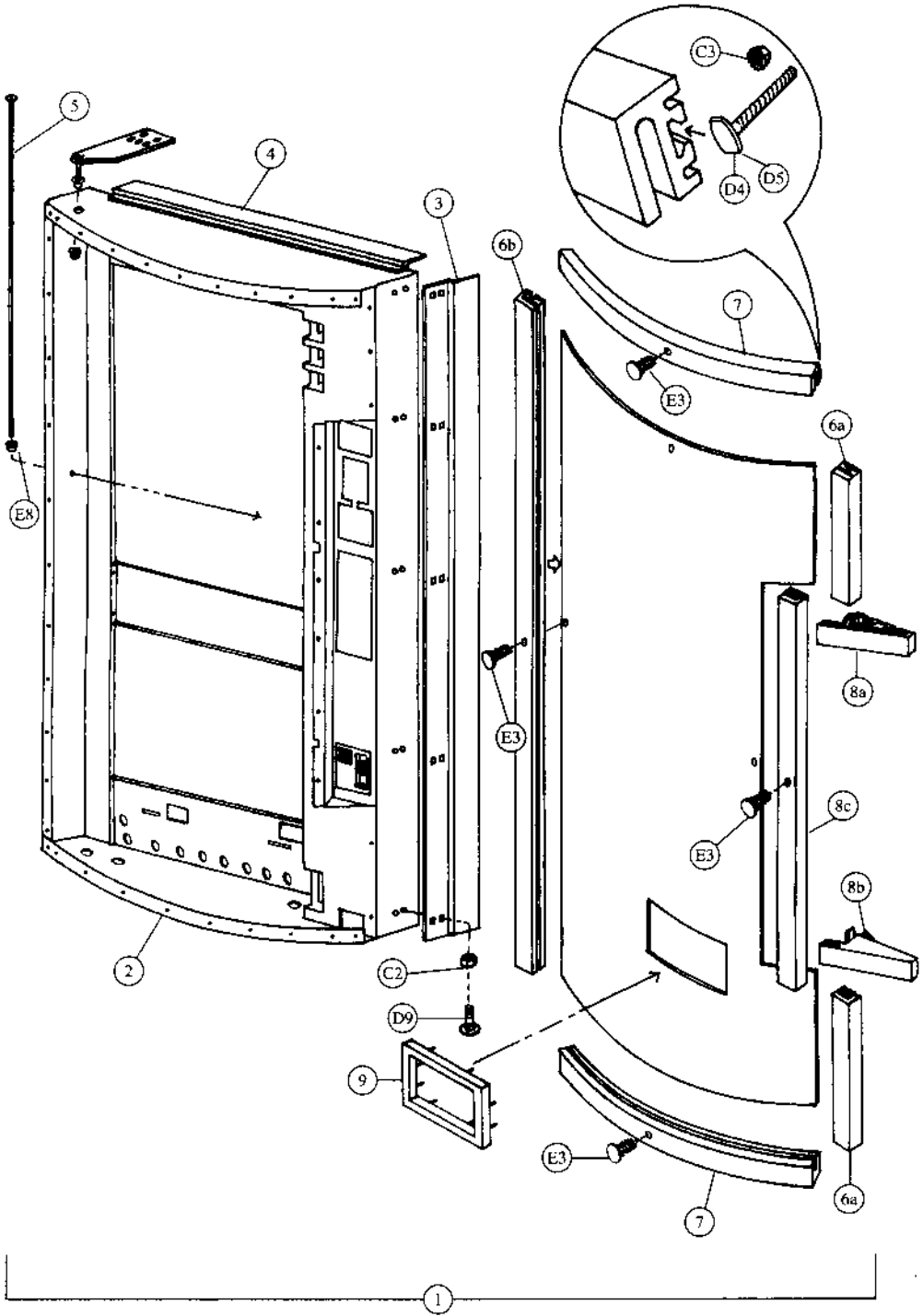




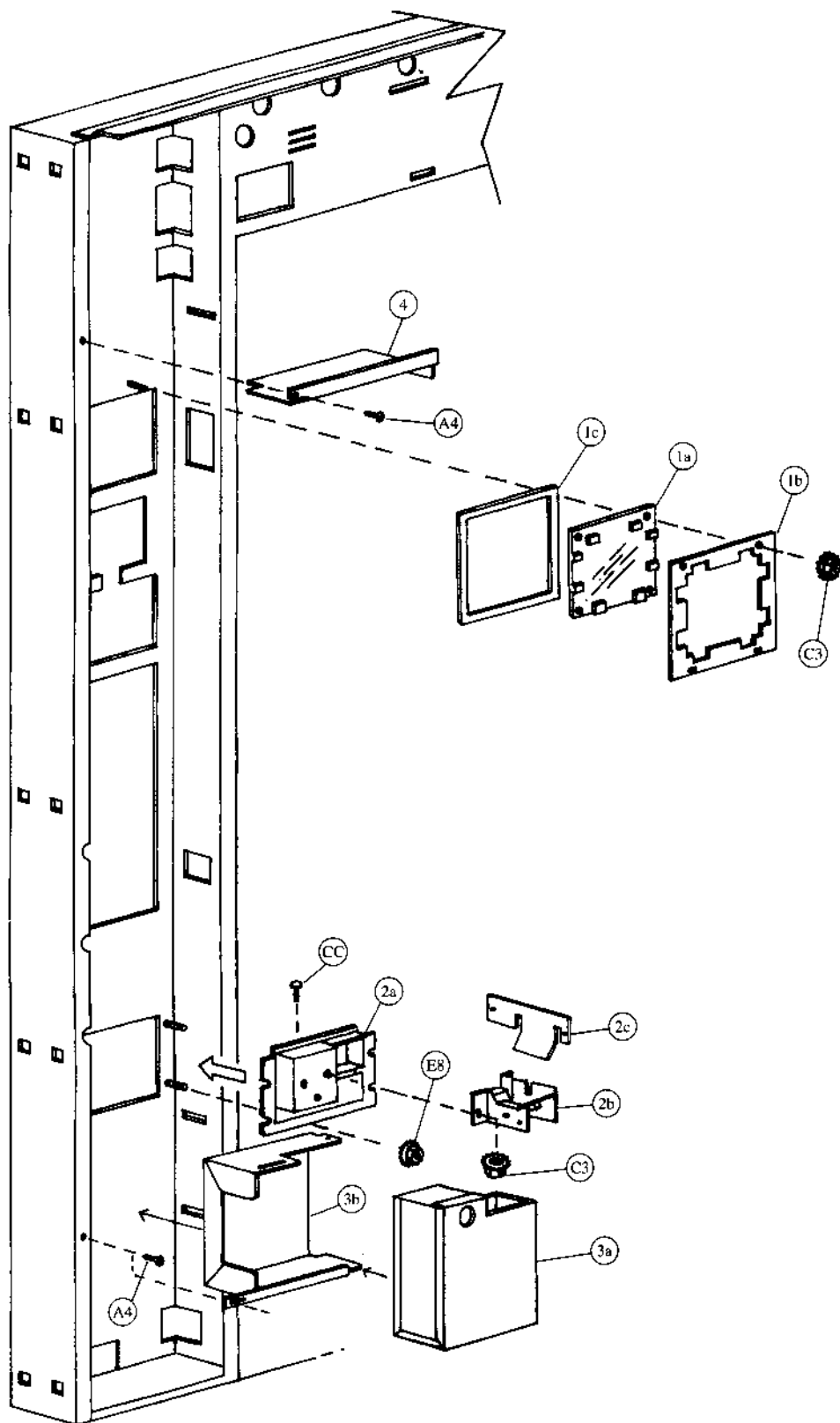
Coke (Landscape) DNCB 360CC & 360WS

Dimensions	72" H x 37 1/16" W x 30 1/2" D (1829mm H x 940mm W x 775mm D)
Dimensions Less Door	72" H x 37 1/16" W x 27 1/2" D (1829mm H x 940mm W x 698mm D)
Approximate Weight	634 lbs. (288kg)
Selections/Columns	6/6
Total 12 oz. (330ml) Cans Capacity/Vend	372/360
Column Capacity 12 oz. (330ml) Cans	6 Double Columns - 62 Each

Main Door - Exterior - Coke (Landscape)



Main Door - Interior (A) - Coke (Landscape)

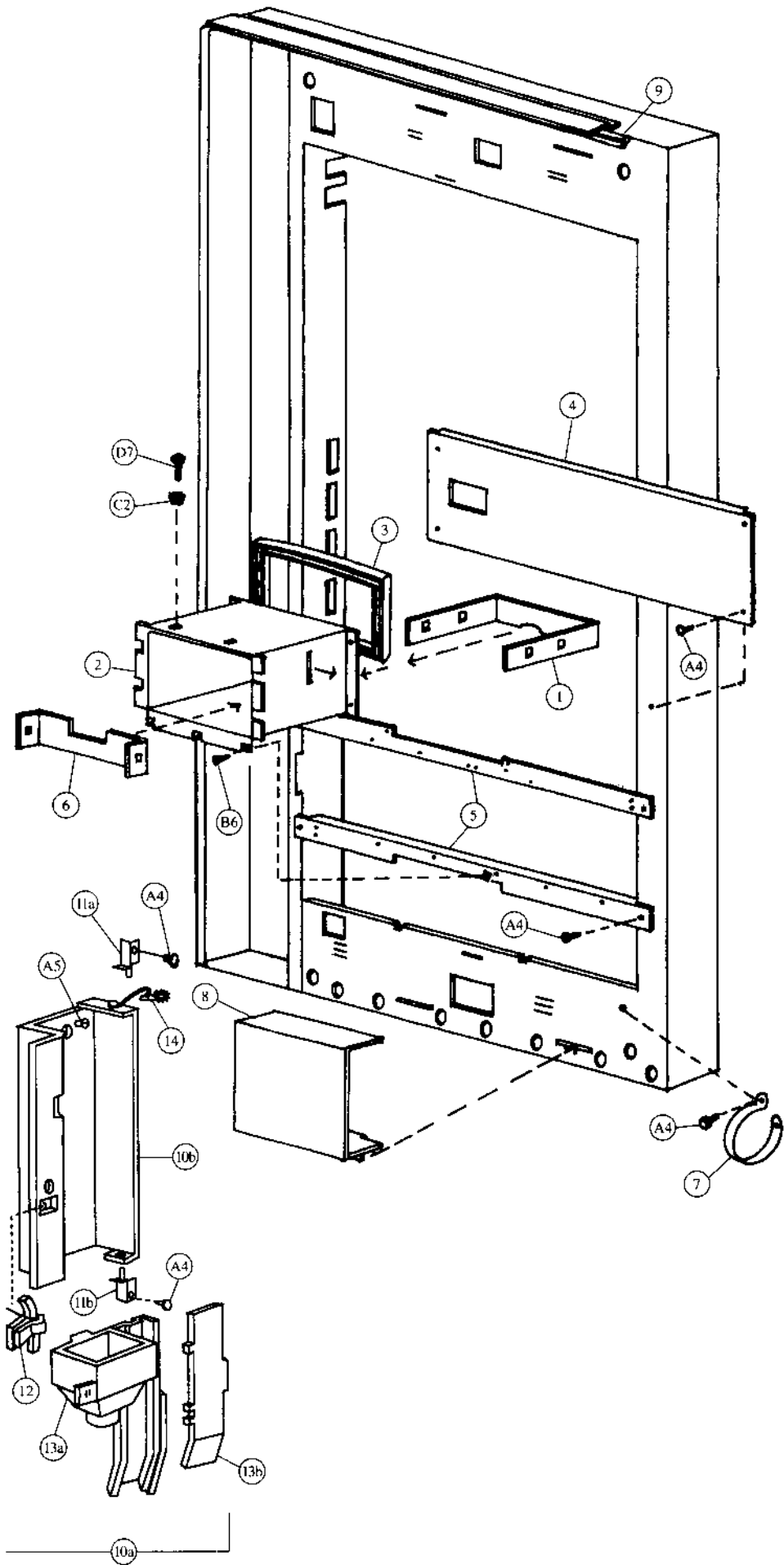


Main Door - Interior (A) - Coke (Landscape)

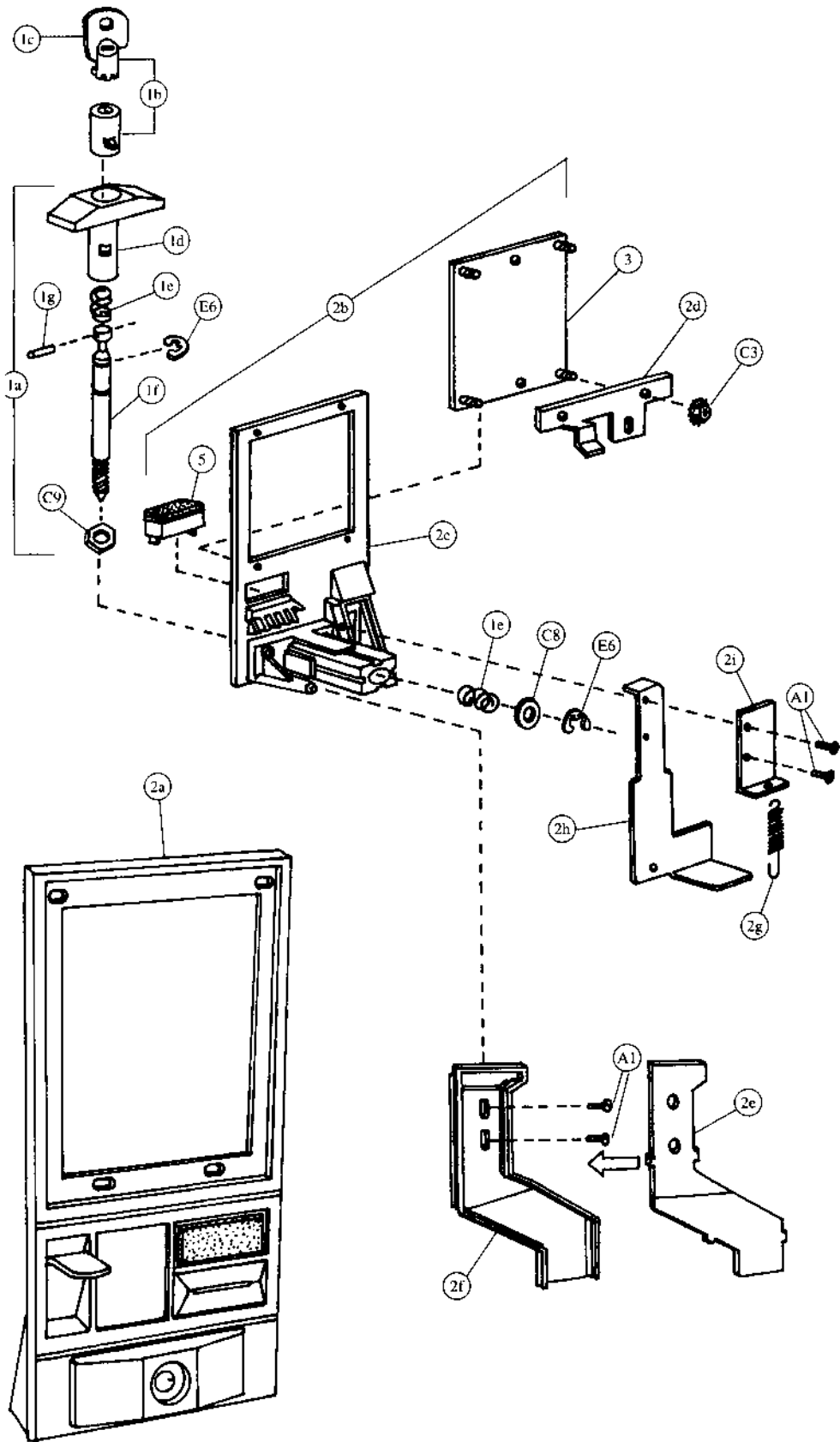
Item	Part Number	Part Name And Description
1a	801,806,930.01	Point Of Sale Window
1b	432,050,470.23	Point Of Sale Window Retainer
1c	902,001,030.01	Point Of Sale Window Gasket
1d	See list below	Point Of Sale Card (not shown)
	803,822,900.01	12 oz. Can (US & Canada)
	803,826,180.01	12 oz. Can (all others)
	803,826,360.01	"Coke Is It" (Taiwan)
	903,829,220.01	Minute Maid
	803,830,000.01	20 oz. Bottle
	803,829,230.11	16 oz. Bottle
	803,822,190.01	10 oz. Bottle
2a	801,805,610.11	Change Cup & Opener Bezel
2b	801,805,530.11	Change Cup
2c	399,050,270.13	Opener Housing Reinforcement Plate
3a	432,051,800.03	Lockable Cash Box, w/a
3b	432,050,181.43	Cash Box Shelf
4	432,050,340.43	Security Shelf
5	521,050,050.13	P.O.S. Window Security Channel (not shown)
6	901,000,190.01	Crown Puller (not shown)
7	432,050,400.03	Crown Catcher (not shown)
8	432,050,280.23	Crown Chute (not shown)

CC	901,201,220.11	Screw, Machine #8 - 32 x ¾
E8	900,800,510.01	Elastic Stop Nut #8 - 32
B6	900,301,650.01	Screw, Phil Pan (with washer) #8 - 18 x ½ (not shown) (2)
C3	900,800,500.01	Keps Nut #8 - 32 (9)
B4	900,201,140.01	Screw, Machine Truss #10 - 32 ½ (2)
A4	900,301,500.01	Screw, Phil Pan (without washer) #8 x 18 x ½

Main Door - Interior (B) - Coke (Landscape)



Pull-Out Handle & Coin Insert - Coke (Landscape)

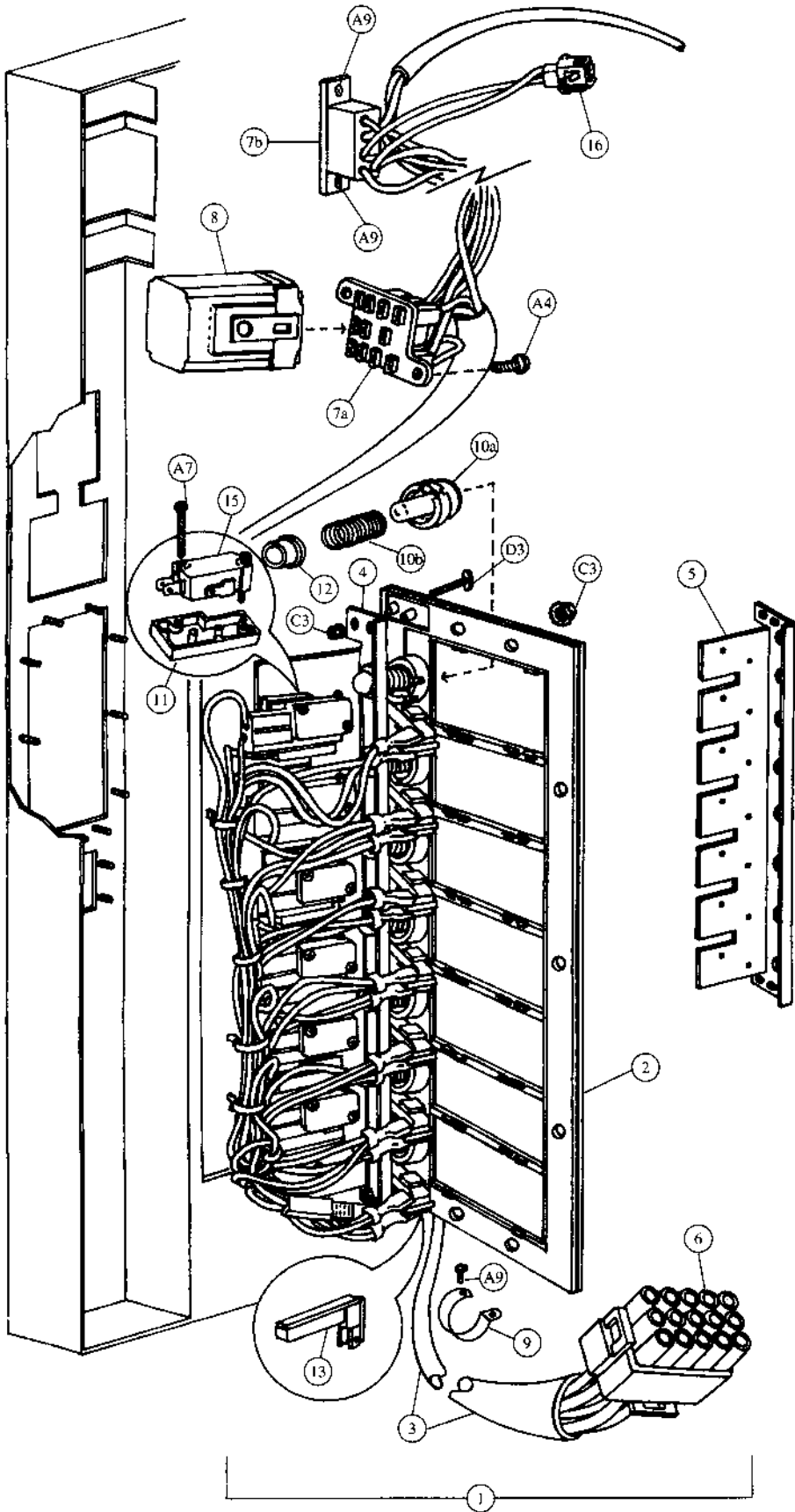


Pull-Out Handle & Coin Insert - Coke (Landscape)

Item	Part Number	Part Name And Description
1a	801,503,040.01	T Handle Assembly
1b	Specify key number	Lock with Two Keys
1c	Specify key number	Key Only
1d	801,505,730.01	Handle Only
1e	901,503,050.01	Spring
1f	4255-6-44W	Stud
1g	901,503,090.11	Cross Pin
2a	See list below	Complete Coin Insert Kit with T Handle
	491,010,800.04	Domestic (USA and Canada)
	Not applicable	Export (All others except listed below)
	Not applicable	Mexico
	Not applicable	Argentina - Token
2b	See list below	Complete Coin Insert Kit without T Handle
	491,050,500.03	Domestic (USA and Canada)
	491,150,500.03	Export (All others except listed below)
	480,350,500.03	Mexico
	480,550,500.03	Argentina - Token
2c	See list below	Coin Insert Only
	801,201,160.41	Domestic (USA and Canada)
	801,201,170.21	Export (All others except listed below)
	801,201,280.11	Mexico
	801,201,270.21	Argentina - Token
2d	453,050,130.83	Coin Insert Retainer
2e	801,805,800.31	Coin Chute Cover
2f	801,805,790.61	Coin Chute
2g	901,700,630.11	Spring Extension
2h	453,050,800.03	Coin Return Plunger Assembly
2i	432,050,570.33	Plunger Bracket
3	432,050,210.23	Validator Plate
4	See list below	Instruction Label (not shown)
	803,822,940.01	English
	903,832,680.01	Irish
	803,825,760.01	Spanish
	803,825,410.01	French
	803,825,750.01	Italian
	803,825,740.01	German
5	See list below	Correct Change Lamp
	904,700,180.31	English "Use Correct Change"
	804,700,500.11	English, IEC Standard "Use Correct Change"
	804,700,440.31	Spanish "Importe Exacto"
	804,700,450.21	French "Faites L'Appoint"
	804,700,400.21	Italian "Usare Monete Contate"
	804,700,470.21	Turkish "Lutfen Para Atiniz"
	804,700,480.21	German "Abgezahlfes Geld Verwendeb"
904,700,490.21	Portuguese "Introduza Quantia Exacta"	
6	801,806,080.11	Drip Chute (not shown)

E6	901,503,070.01	E Ring	(2)
C8	901,503,060.01	Flat Washer	
C9	901,503,080.01	Hex Washer	
A1	900,301,700.01	Sems Screw #6-32 x 3/4	(4)
C3	900,800,500.01	Keps Nut #8-32	(4)

Select Panel - Coke (Landscape)

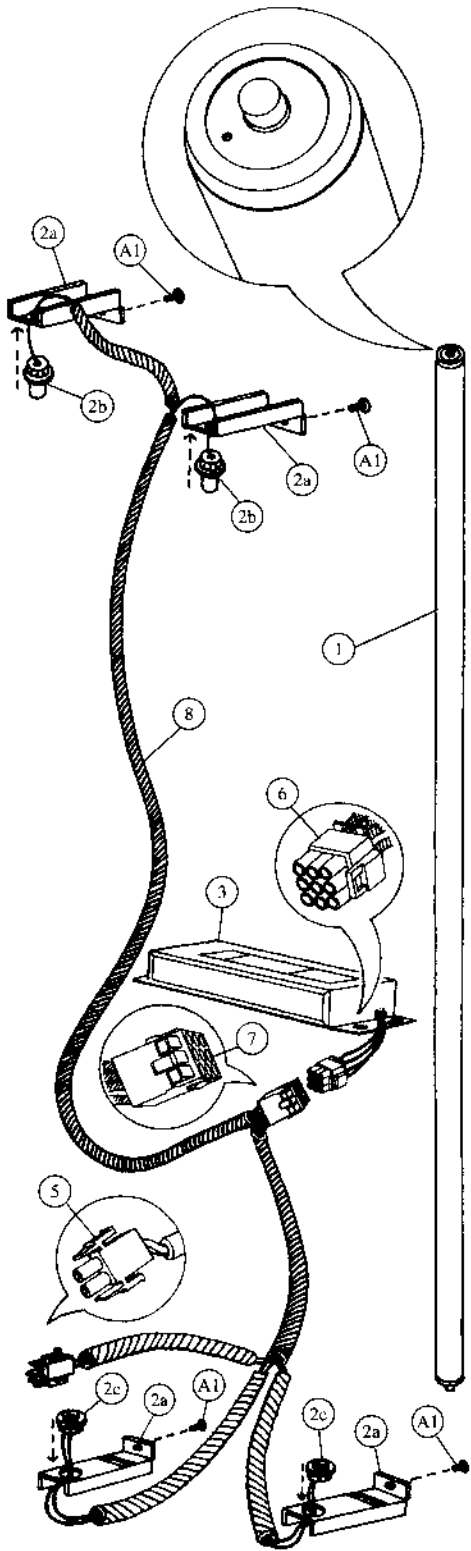


Select Panel - Coke (Landscape)

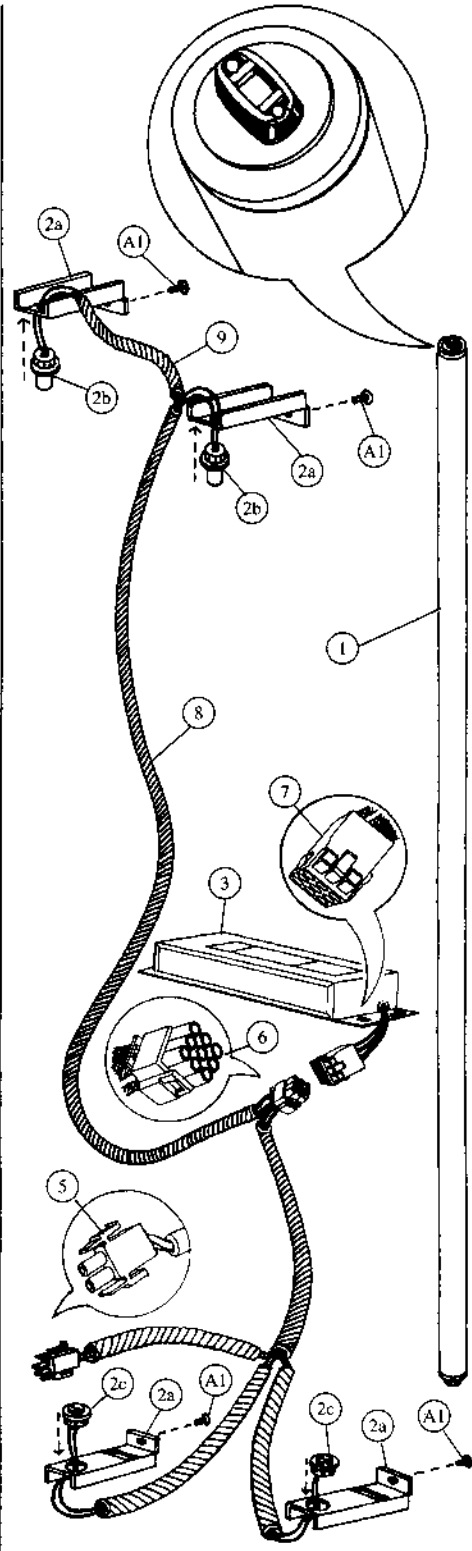
Item	Part Number	Part Name And Description
1	443,050,400.03	Select Panel Assembly (specify harness)
2	801,805,730.01	Select Panel
3	See list below	Door Harness
	804,903,740.21	Single Price & Single Price - IEC Standard
	804,903,940.41	Two Price & Two Price - IEC Standard
	804,904,070.41	Four Price & Four Price - IEC Standard
4	443,050,700.03	Select Switch Bar Assembly
5	443,050,030.63	Select Switch Bar
6	904,600,830.01	15-Way Plug
7a	904,600,620.01	Socket, Relay
7b	904,600,600.01	Socket, Coin Changer
8	804,200,170.01	Vend Relay (single price only)
9	901,901,890.01	1" Clamp
10a	801,805,710.21	Push Button
10b	901,700,720.11	Push Button Spring
11	801,805,920.21	Switch Insulator
12	902,000,580.01	Nylet
13	804,700,210.21	Sold Out Lamp
14	Indicate flavor	Flavor Cards (not shown)
15	804,100,710.01	Select Switches (single Micro)
16	904,600,700.01	2-Way Cap

A4	900,301,500.01	Screw, Phil Pan (without washer) #8 - 18 x 1/2 (2)
A9	900,301,560.01	Sems Screw #8 - 32 x 3/8 (7)
A7	900,300,470.01	Screw, Phil Pan #4 x 3/4 (14)
D3	900,400,430.01	T-Bolt #8 - 32 x 1 (4)
C3	900,800,500.01	Keps Nut #8 - 32 (14)

Lighting - Coke (Landscape)



Slimline



High-Output

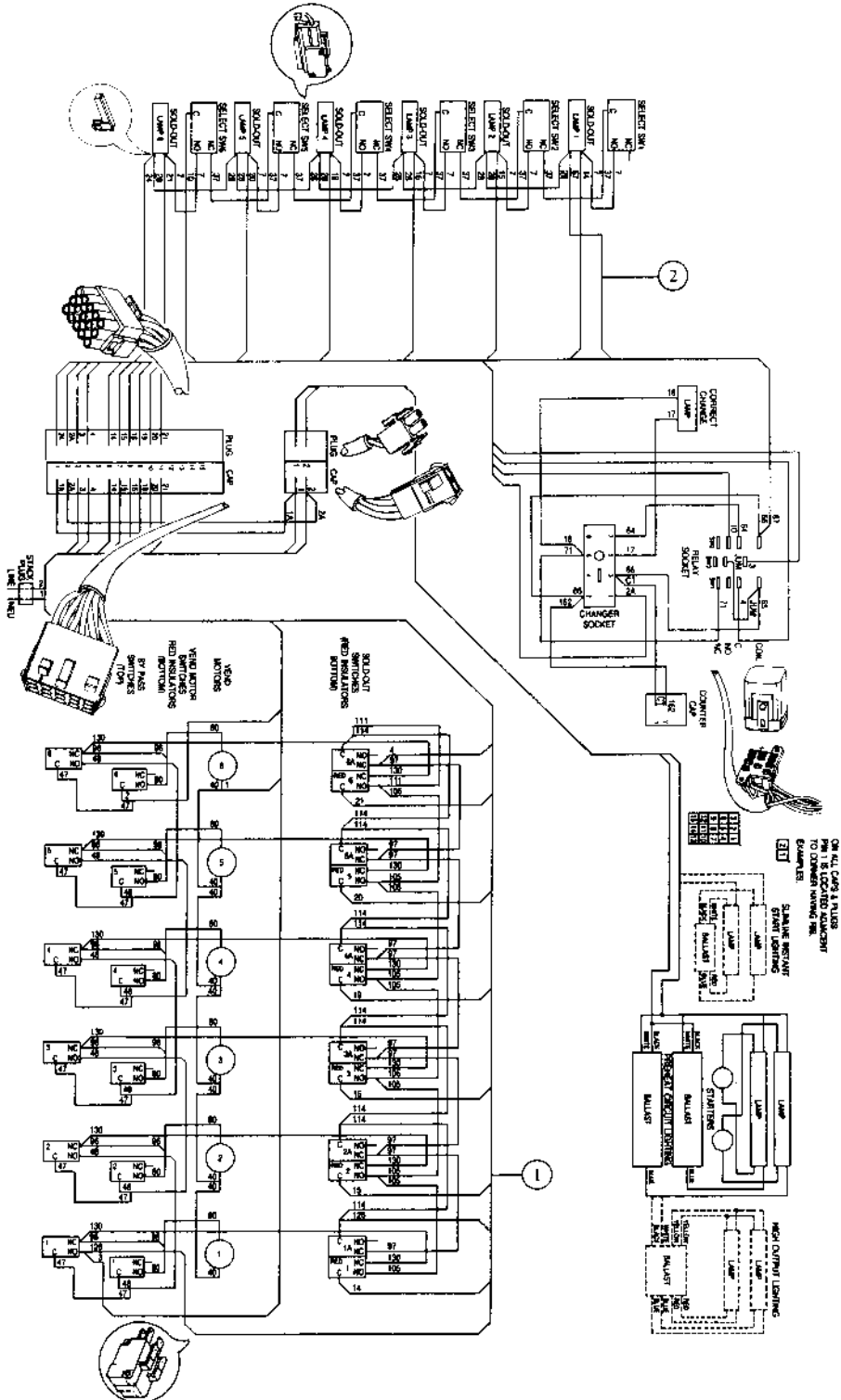
Lighting - Coke (Landscape)

Item	Part Number	Part Name And Description
High-Output Lighting		
1	804,700,370.01	Fluorescent Bulb - F64T12/D/HO
2a	432,050,380.63	Door Bracket Lamp Socket
2b	804,901,990.01	Top Lamp Holders - 523
2c	804,902,000.01	Bottom Lamp Holders - 524
3	804,400,380.01	Plug-In Ballast, Advance #VSM/HO
4	904,800,520.01	Connector, Electrical (not shown) (scotchlock 557)
5	904,600,710.01	2-Way Plug
6	904,600,670.01	9-Way Plug
7	904,600,660.01	9-Way Cap
8	804,904,510.21	Plug-In Ballast Harness, High Output
9	804,904,920.11	Lamp Fixture Jumper, High Output

Slimline Lighting		
1	804,700,300.01	Fluorescent Bulb - F64T12/DAYLT
2a	432,050,380.63	Door Bracket Lamp Socket
2b	804,902,020.01	Top Lamp Holders - 516
2c	804,902,030.01	Bottom Lamp Holders - 517
3	804,400,370.01	Plug-In Ballast - Advance Slimline
4	904,800,520.01	Connector, Electrical (not shown) (scotchlock 557)
5	904,600,710.01	2-Way Plug
6	904,600,670.01	9-Way Plug
7	904,600,660.01	9-Way Cap
8	804,904,600.61	Plug-In Ballast Harness, Slimline

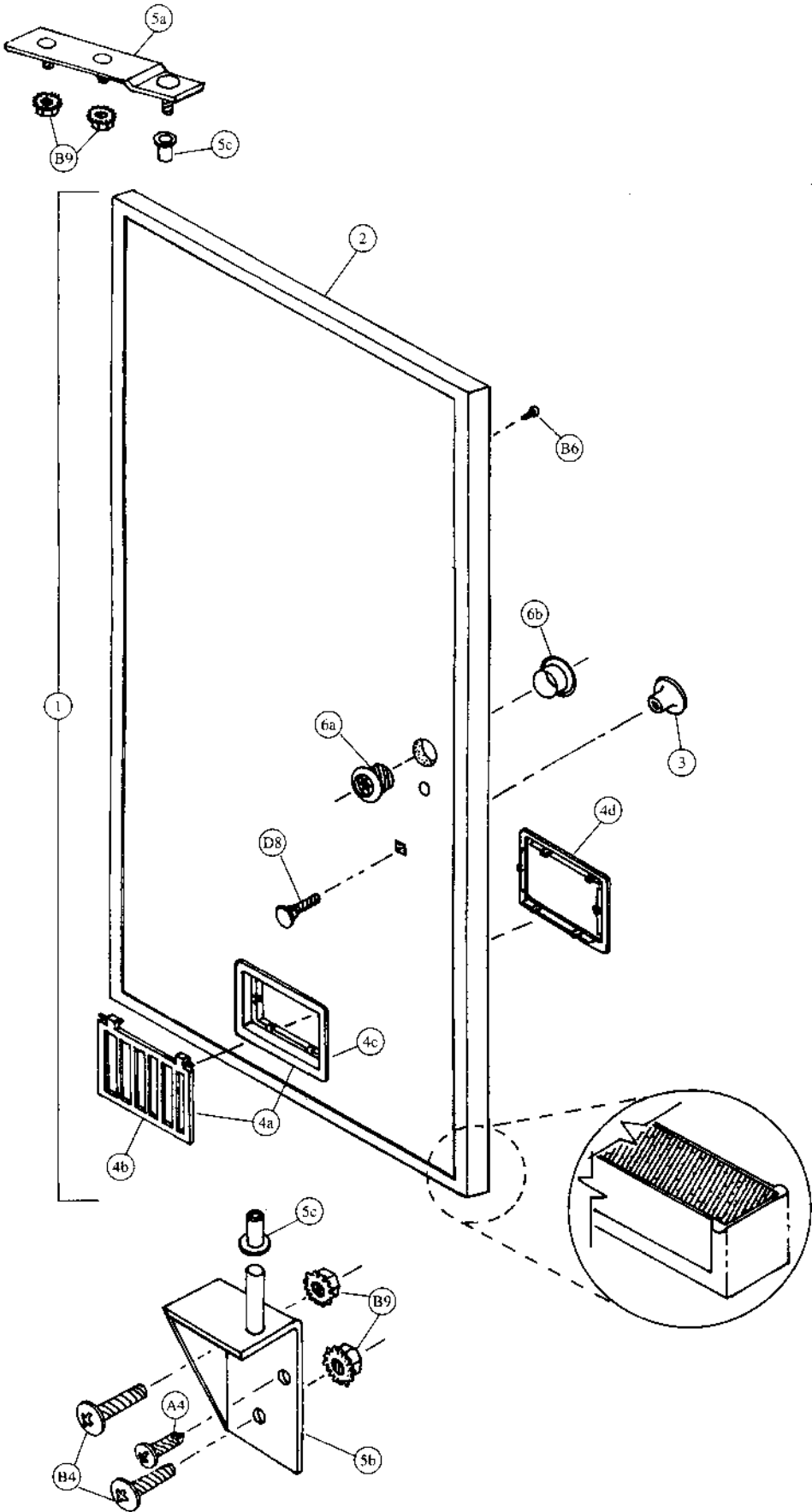
A1	900,301,700.01	Sheet Metal Screw #6 - 32 x 3/8 (4)
----	----------------	-------------------------------------

Wiring Harness - Coke (Landscape)

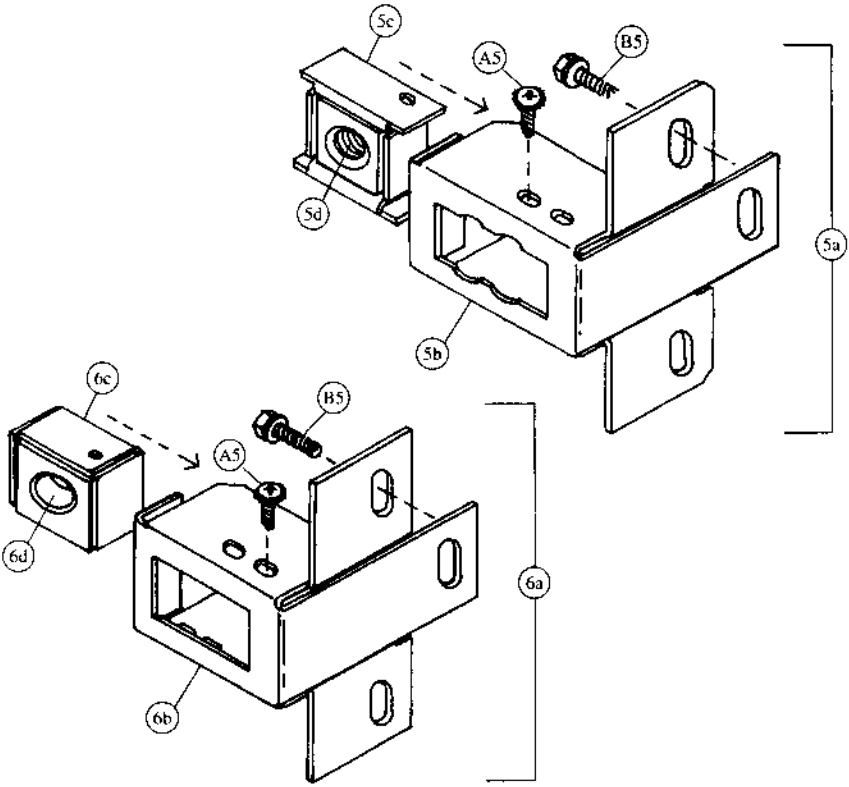
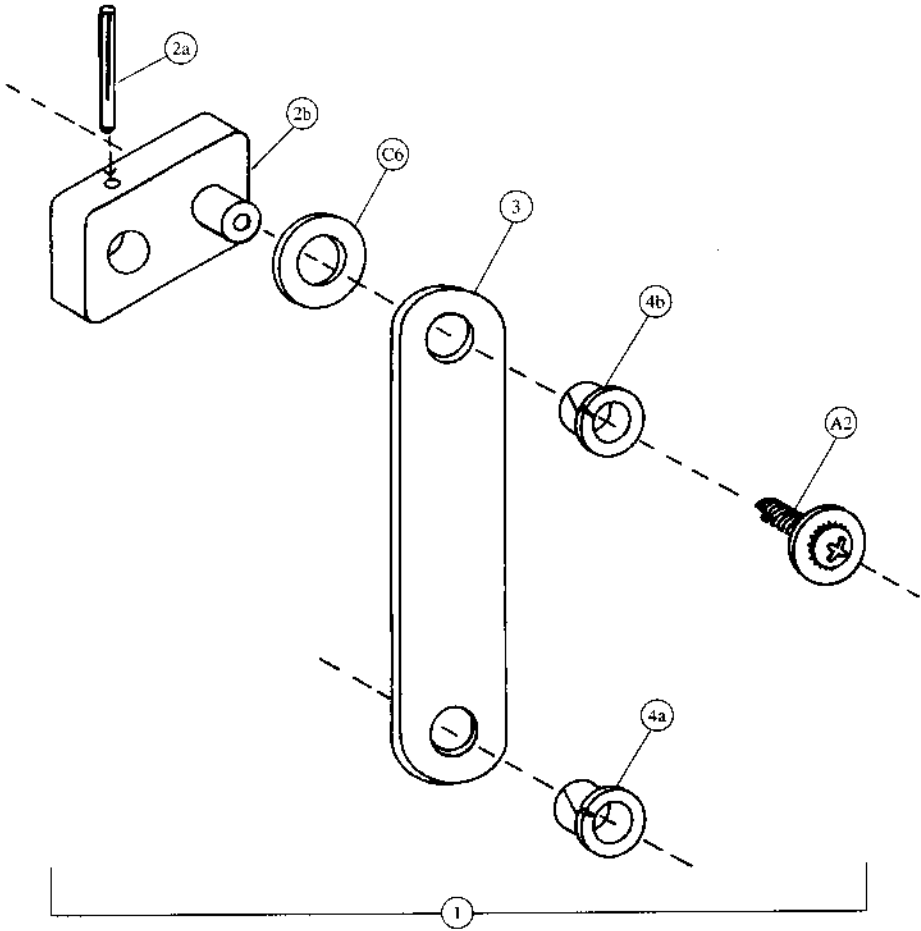


Sample Diagram
6 Column Adaptable, Single Price

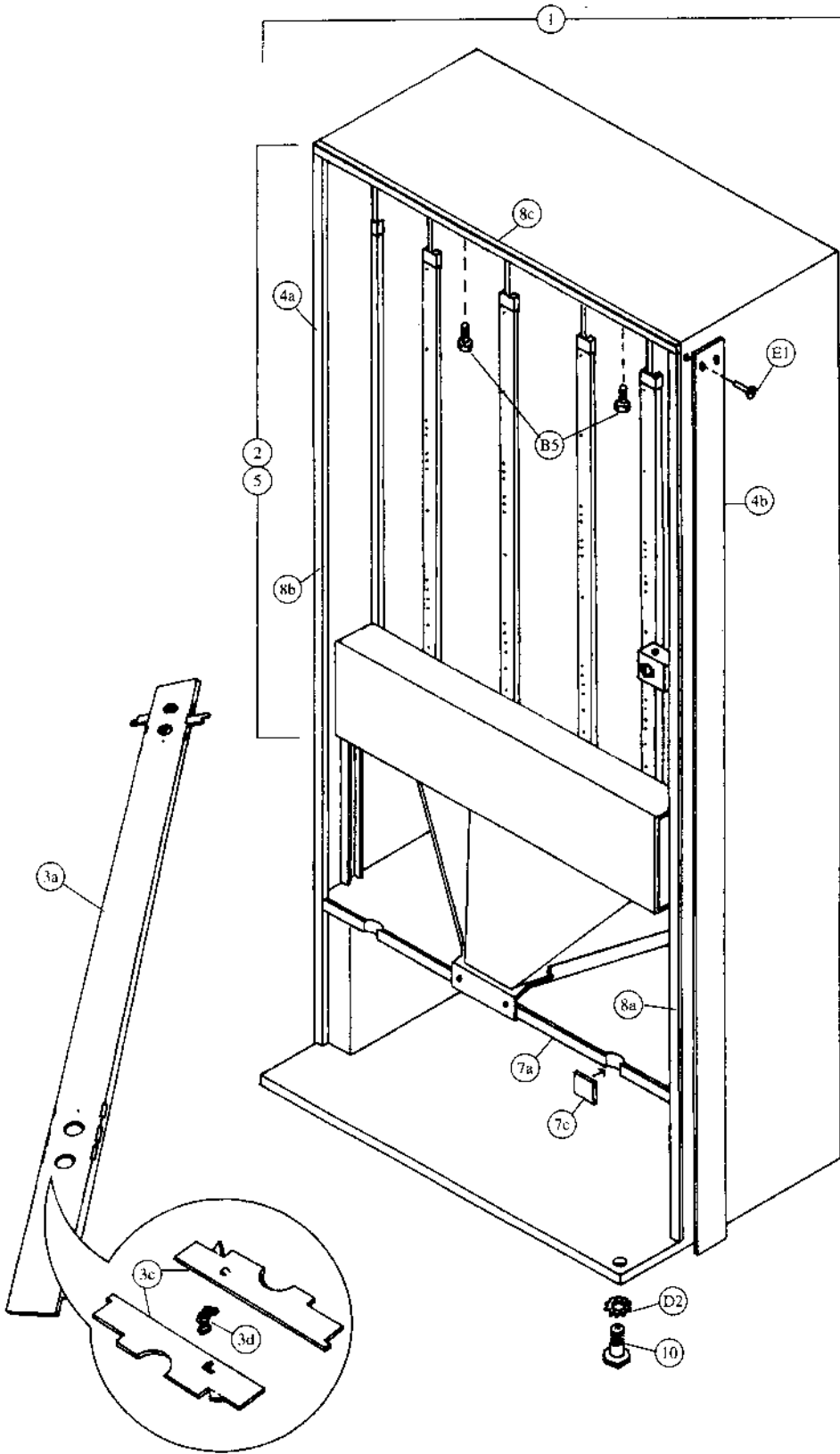
Inner Door - Coke (Landscape)



Two-Bar Linkage & Nut Retainer Housing - Coke (Landscape)



Cabinet Interior - Coke (Landscape)

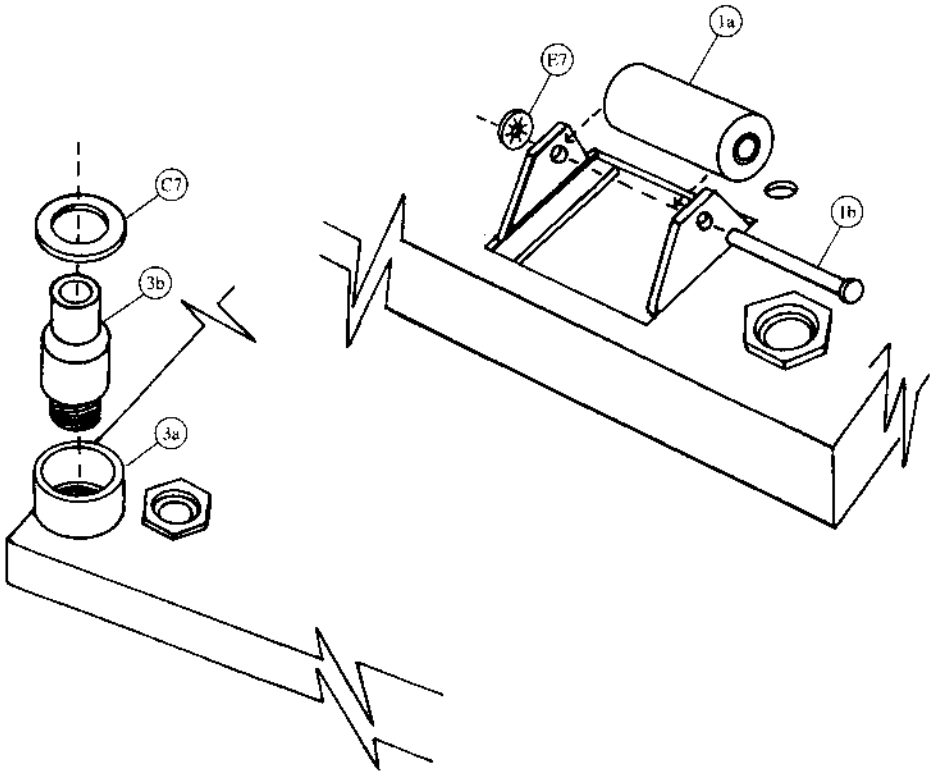
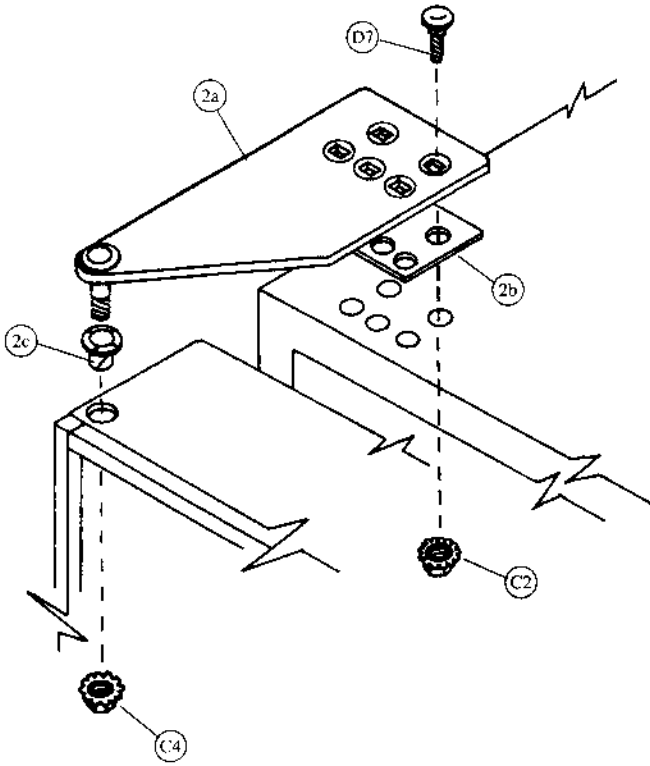


Cabinet & Vend Mechanism - Coke (Landscape)

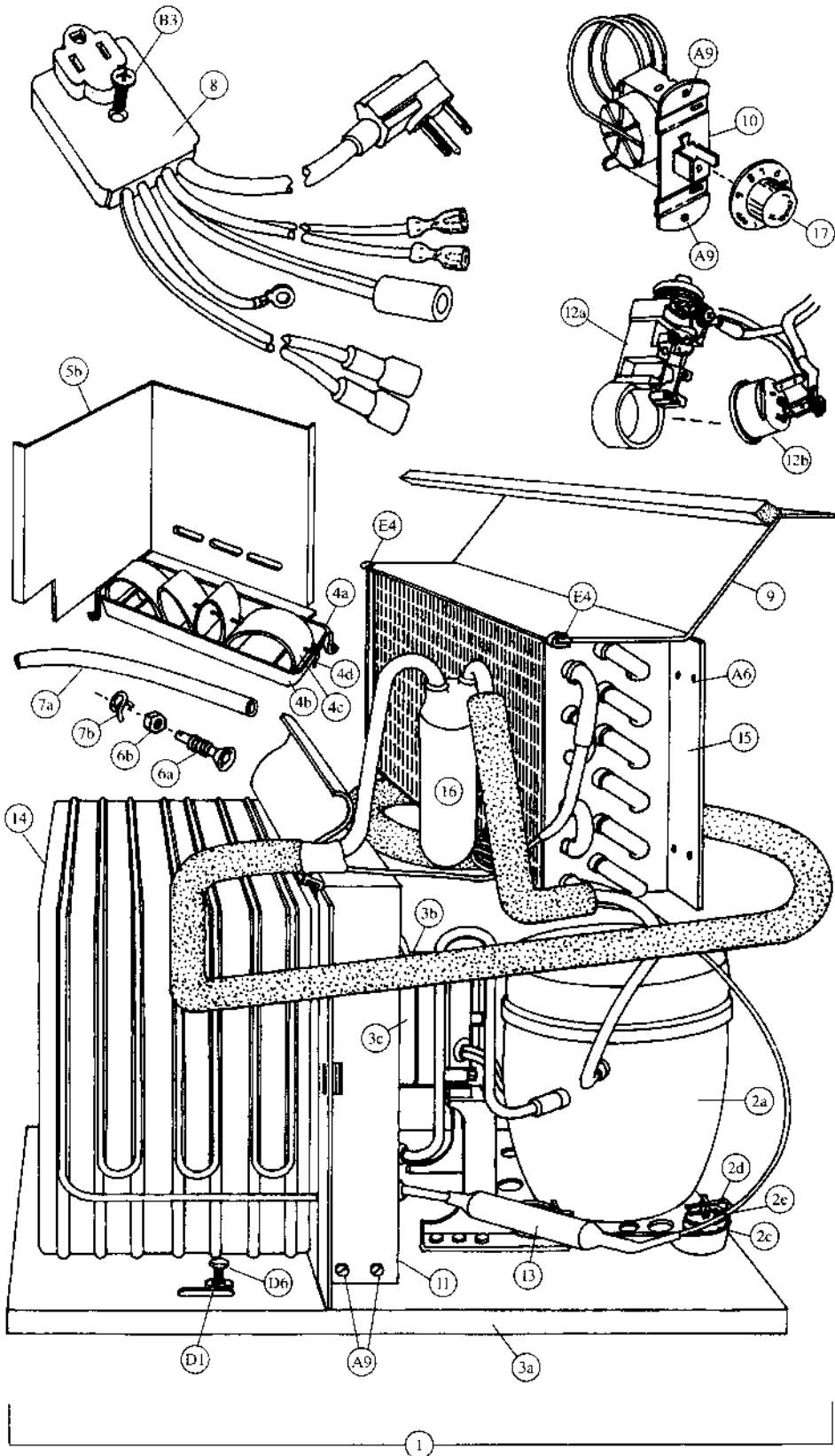
Item	Part Number	Part Name And Description
1	491,070,050.33	Vend Motor Cover, Wide
	491,071,200.23	Vend Motor Cover, Wide - IEC Standard
2a	See list below	Vend Motor Assembly, Wide
	491,070,300.03	Single Price
	491,170,100.03	Two/Four Price
2b	801,806,390.21	Vend Cam, Blue
2c	801,806,400.11	Adjustable Cam, Gold
4	See list below	Vend Motor Switch
	804,100,600.01	Single Price (Double Switch)
	804,100,690.01	Single Price - IEC Standard (Double Switch)
	804,100,700.01	Two/Four Price - IEC Standard (Triple Switch)
5	905,800,330.11	Vend Motor Switch Insulator
7a	801,201,010.01	Vend Oscillator - Wide Column
7b	901,700,650.31	Can Retainer Oscillator
8a	801,803,170.21	Nyliner, Rear (not shown)
8b	901,804,230.01	Nyliner, Front - Wide Column only (not shown)
9	267,070,370.43	Wire Shield
10a	804,100,610.01	Sold Out Switch Assembly
	804,100,680.01	Sold Out Switch Assembly - IEC Standard
10b	432,070,190.13	Sold Out Paddle
10c	901,700,740.01	Sold Out Paddle Spring
11	491,020,070.33	Mechanism Support
12a	See list below	Evaporator Fan Motor Assembly
	491,000,200.03	115v
	491,140,400.03	220-240v
12b	See list below	Evaporator Fan Motor
	804,500,590.01	115v
	804,500,520.01	220-240v
12c	164,040,080.73	Evaporator Fan Motor Bracket
12d	801,303,270.11	Evaporator Fan Blade
12e	902,100,290.01	Silencer
13a	491,071,100.03	Can Chute Assembly (includes 13b & 13c)
13b	211,170,010.43	Can Chute
13c	211,070,020.03	Chute Liner (Kydex)
14a	903,300,770.01	Foam Block
14b	169,000,130.03	Hinge Pocket Cover
15	176,072,110.13	Journal

C1	900,901,510.02	Screw, Phil Pan Tapping
A3	900,301,830.01	Sems Screw #10 - 32 x 3/8 (8)
A6	900,600,230.02	Sheet Metal Screw, Type "A"
B8	900,301,690.01	Hex Tap Screw #8 - 32 x 3/8 (3)
A8	900,301,820.01	Vend Motor Screw #4 x 1 1/8 - Double Switch (16)
	900,301,610.01	Vend Motor Screw #4 x 1 1/2 - Triple Switch
A9	900,301,560.01	Sems Screw #8 - 32 x 3/8 (28)
E5	900,401,090.01	Grommet, Black Rubber #97 (3)
C5	900,800,850.01	Speed Nut
B1	900,301,850.01	Sems Screw #8 - 32 x 3/8

Hinges and Rollers - Coke (Landscape)



Refrigeration - Coke (Landscape)



Refrigeration System - Coke (Landscape)

Item	Part Number	Part Name And Description
1	Provide information listed	Complete Refrigeration System: Indicate unit model number from serial plate on unit base plate, refrigerant, voltage/hertz and country.
2a	Provide information listed	Compressor 1/2 HP: Indicate compressor manufacturer, voltage/hertz, refrigerant and complete manufacturer's model number.
2b	See list below	Compressor Lead Harness (not shown)
	904,900,611.01	All, except IEC Standard
	804,905,320.01	220-240v/50hz, IEC Standard
2c	902,000,570.01	Compressor Mounting Grommet
2d	900,901,880.01	Compressor Mounting Retainer Clip
2e	901,803,910.01	Compressor Grommet Plug, Plastic
3a	491,040,040.43	Condenser Base Plate
3b	See list below	Condenser Fan Motor Assembly
	491,040,200.03	115v
	491,140,300.03	220-240v
3c	See list below	Condenser Fan Motor
	804,500,670.01	115v
	804,500,700.01	220-240v
3d	800,103,370.02	Fan Blade (not shown)
4a	491,000,100.03	Drain Pan Assembly
4b	801,303,670.11	Drain Pan
4c	901,900,020.11	Soaker (8 required)
4d	901,400,060.11	Soaker Rod
5a	491,040,050.53	Condenser Baffle, Right Side (not shown)
5b	491,040,060.63	Condenser Baffle, Rear
6a	801,806,050.11	Drain Tube
6b	900,301,790.01	Drain Tube Nut
7a	901,900,500.01	Drain Hose
7b	900,901,030.01	Drain Hose Clamp
8	See listing below	Main Wiring Harness
	804,902,220.01 (a)	United States
	804,905,480.01 (b)	Australia, IEC 335 (not shown)
	804,905,490.01 (c)	United Kingdom, IEC 335 (not shown)
	804,902,160.21 (d)	Europe (not shown)
	804,903,160.01 (e)	Mexico (not shown)
	804,905,450.01 (f)	Italy (not shown)
	804,905,470.01 (g)	Danish, IEC 335 (not shown)
804,905,360.01 (h)	Germany, with Splashwater Protector (not shown)	
9	211,040,030.13	Top Fan Housing
10	802,800,410.01	Temperature Control
11	491,040,110.33	Fan Shroud Condenser
12a	Provide information listed	Relay: Indicate compressor manufacturer, model # and voltage/hz
12b	Provide information listed	Overload: Indicate compressor manufacturer, model # and voltage/hz
13	802,401,240.01	Dryer
14	802,600,550.01	Condenser
15	802,600,370.51	Evaporator
16	802,400,460.01	Accumulator
17	802,800,420.01	Knob, Temperature Control
A6	900,600,230.02	Sheet Metal Screw, Type "A" (not shown) (2)
A9	900,301,560.01	Sems Screw #8 - 32 x 3/8 (8)
B3	900,902,090.02	Screw, #10 - 32 x 1 1/2
D1	900,700,360.01	Lockwasher, 3/8" (2)
F4	900,901,890.01	Tinnerman Clip (2)
D6	900,400,440.01	Refrigeration Bolt 3/8 - 16 x 1 (2)

Signs and Decals - Coke (Landscape)



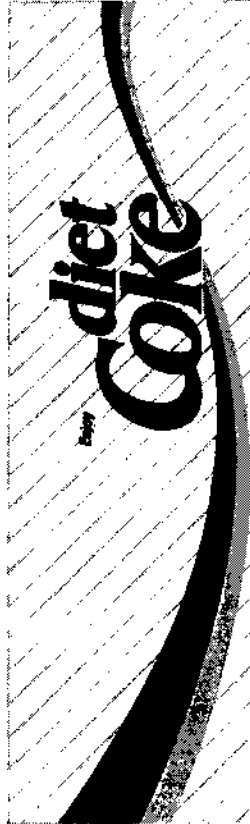
1



4



2

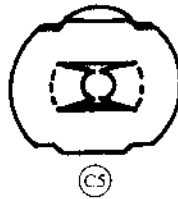
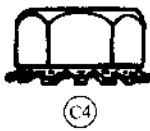
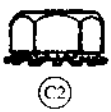
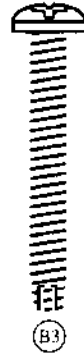


5

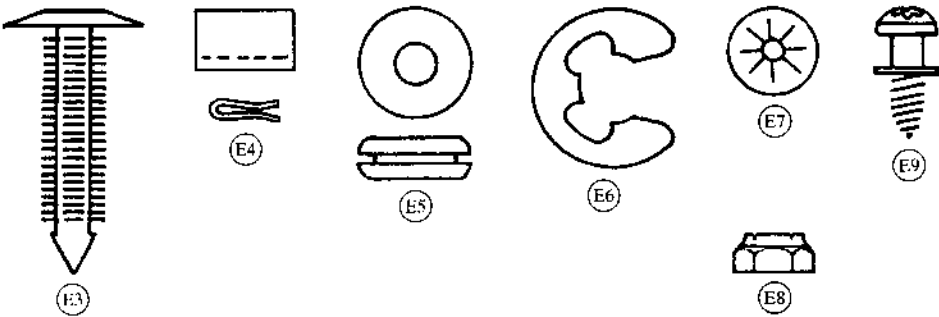
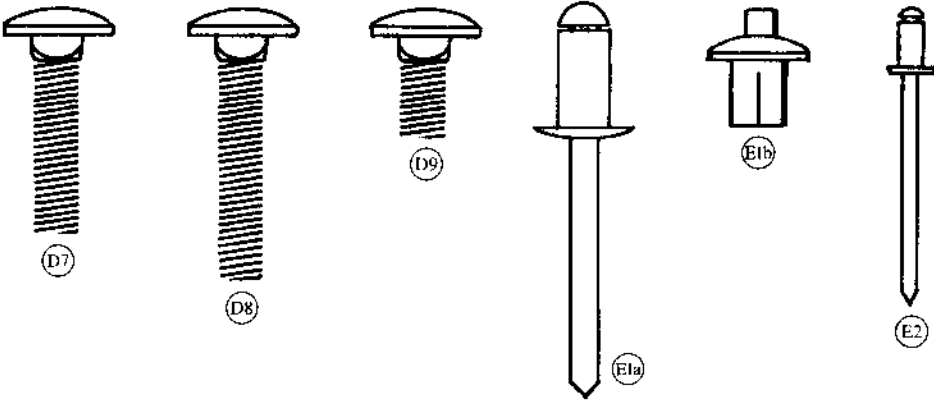
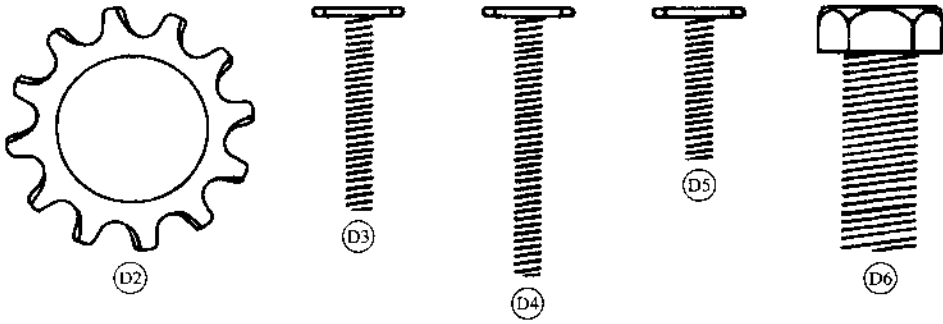
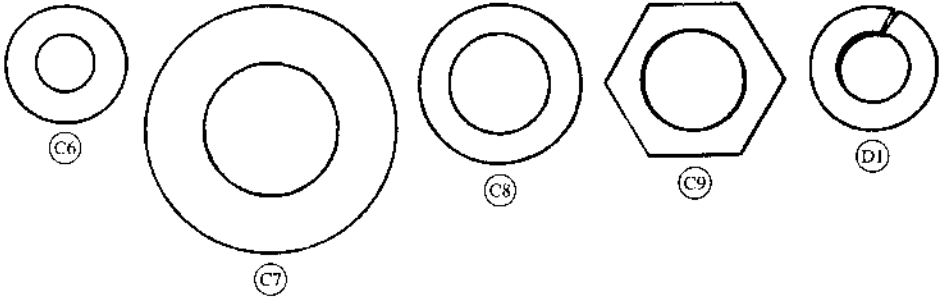
Signs & Decals- Coke (Landscape)

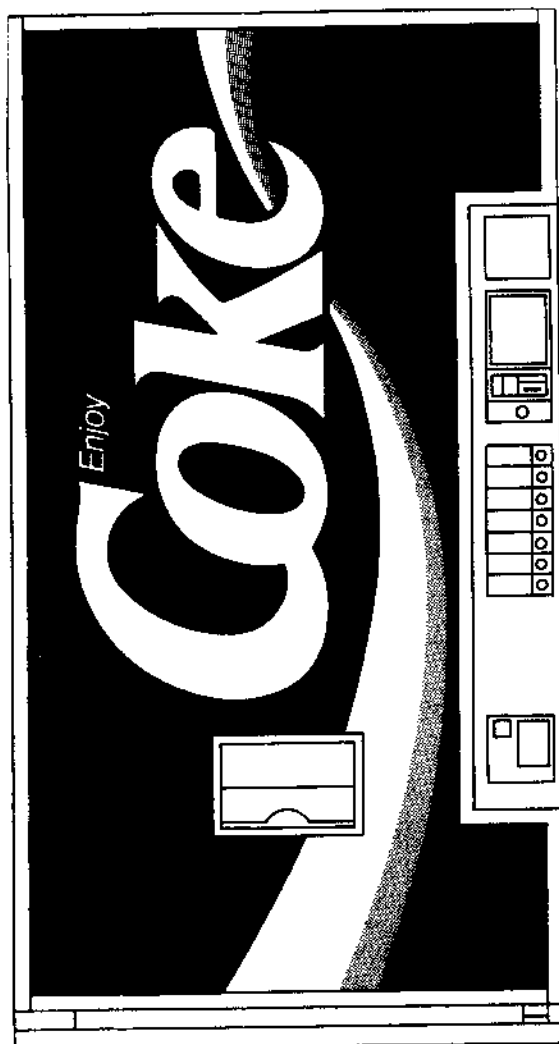
Item	Part Number	Part Name And Description
1	See list below	Circular Coke Signs
	805,006,460.31	Coca-Cola (USA) (shown)
	805,006,650.01	Coca-Cola Beba
	805,006,710.01	Coca-Cola CSA French
	805,006,720.01	Coca-Cola International
	805,006,770.01	Coca-Cola Italy
	805,006,910.01	Coca-Cola CSA English
	805,006,940.01	Coca-Cola Trink International
	805,006,950.01	Coca-Cola Buvez International
	805,007,140.01	Coca-Cola Horizontal
	805,007,360.01	Coca-Cola Puerto Rico
	805,007,680.01	Coca-Cola Arabic
	805,007,840.01	Coca-Cola Tome Circle
	805,007,960.01	Coca-Cola Light France
	805,008,290.01	Coca-Cola Australia
	805,008,730.01	Coca-Cola Coke Can On Ice
	805,009,950.01	Coca-Cola Greece
	805,010,140.01	Coca-Cola Coke Beba Can On Ice
	805,010,250.01	Coca-Cola Turkey
	805,008,440.01	Coca-Cola Light Sweden
	805,009,940.01	Coca-Cola Light Greece
	805,010,000.01	Coca-Cola Light Beba
	805,010,060.01	Coca-Cola Light Standard International
805,010,310.01	Coca-Cola Bevette Coke Light	
2	See list below	Coca-Cola Diet Coke Signs
	805,006,580.01	Diet Coke (USA) (shown)
	805,010,280.01	Diet Coke Turkey
3	805,008,000.01	Minute Maid Sign
4	See list below	Coke Side Decals
	803,822,210.11	Coca-Cola (USA) (shown)
	803,823,290.01	Coca-Cola Beba
	803,823,300.01	Coca-Cola International
	803,823,380.01	Coca-Cola Italian
	803,823,710.01	Coca-Cola CSA English
	803,823,770.01	Coca-Cola Buvez France
	803,825,370.01	Coca-Cola Dis Frute
	803,825,870.01	Coca-Cola Arab Bahrain
	803,826,150.01	Coca-Cola Tome Argentina
	803,831,000.01	Coca-Cola Greece
	803,833,030.01	Coca-Cola Turkey
	803,827,610.01	Coca-Cola Light Bromma
	803,830,990.01	Coca-Cola Light Greece
	803,826,310.01	Coca-Cola Light France
	803,831,090.01	Coca-Cola Light Beba
	803,831,470.01	Coca-Cola Light Standard International
803,833,180.01	Coca-Cola Light Bevette	
5	See list below	Diet Coke Side Decals
	803,822,970.01	Diet Coke (USA) (shown)
	803,833,060.01	Diet Coke Turkey
6	803,826,380.01	Minute Maid Side Decal

Screws & Nuts - Coke (Landscape)



Washers, Bolts & Misc. - Coke (Landscape)

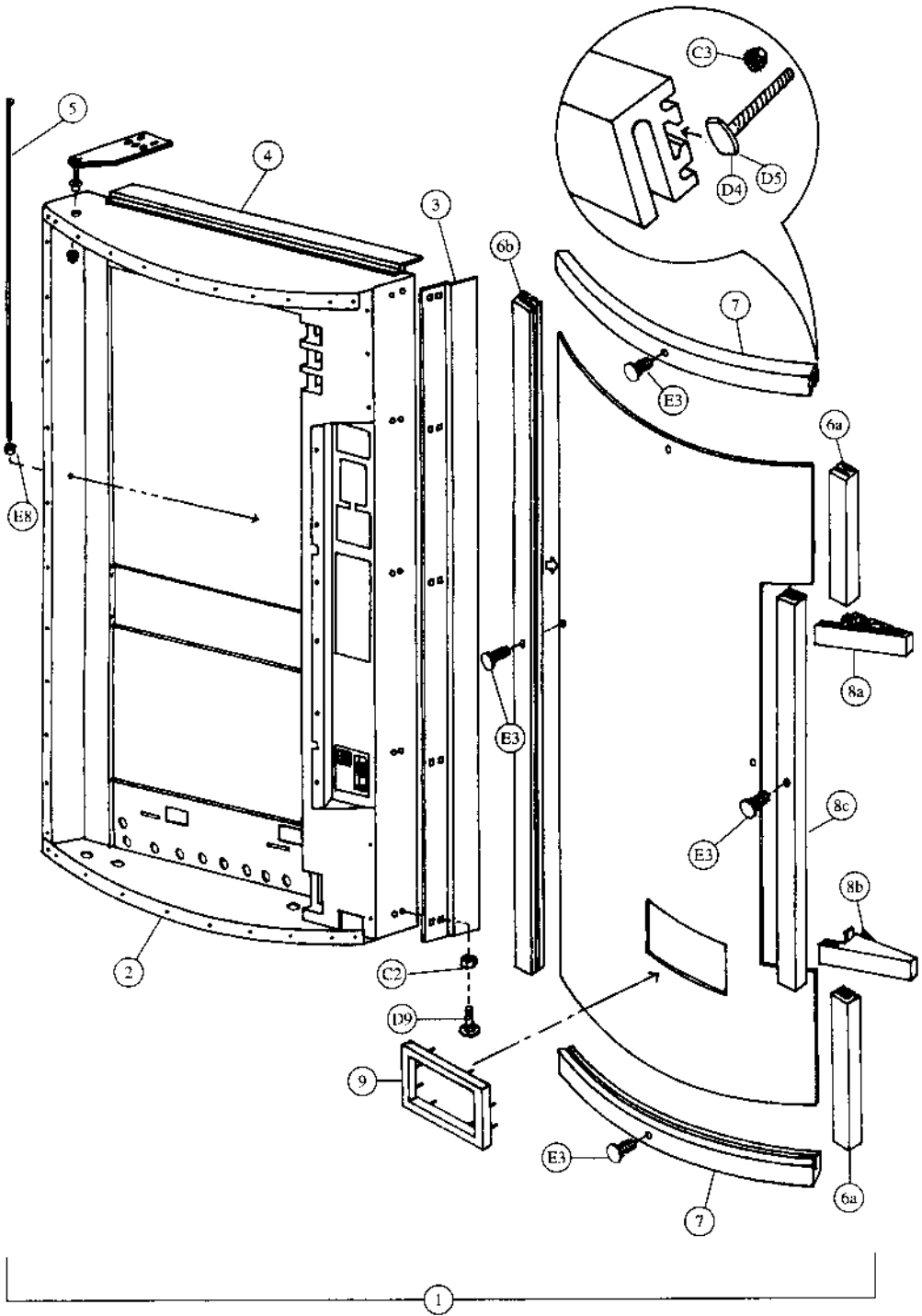




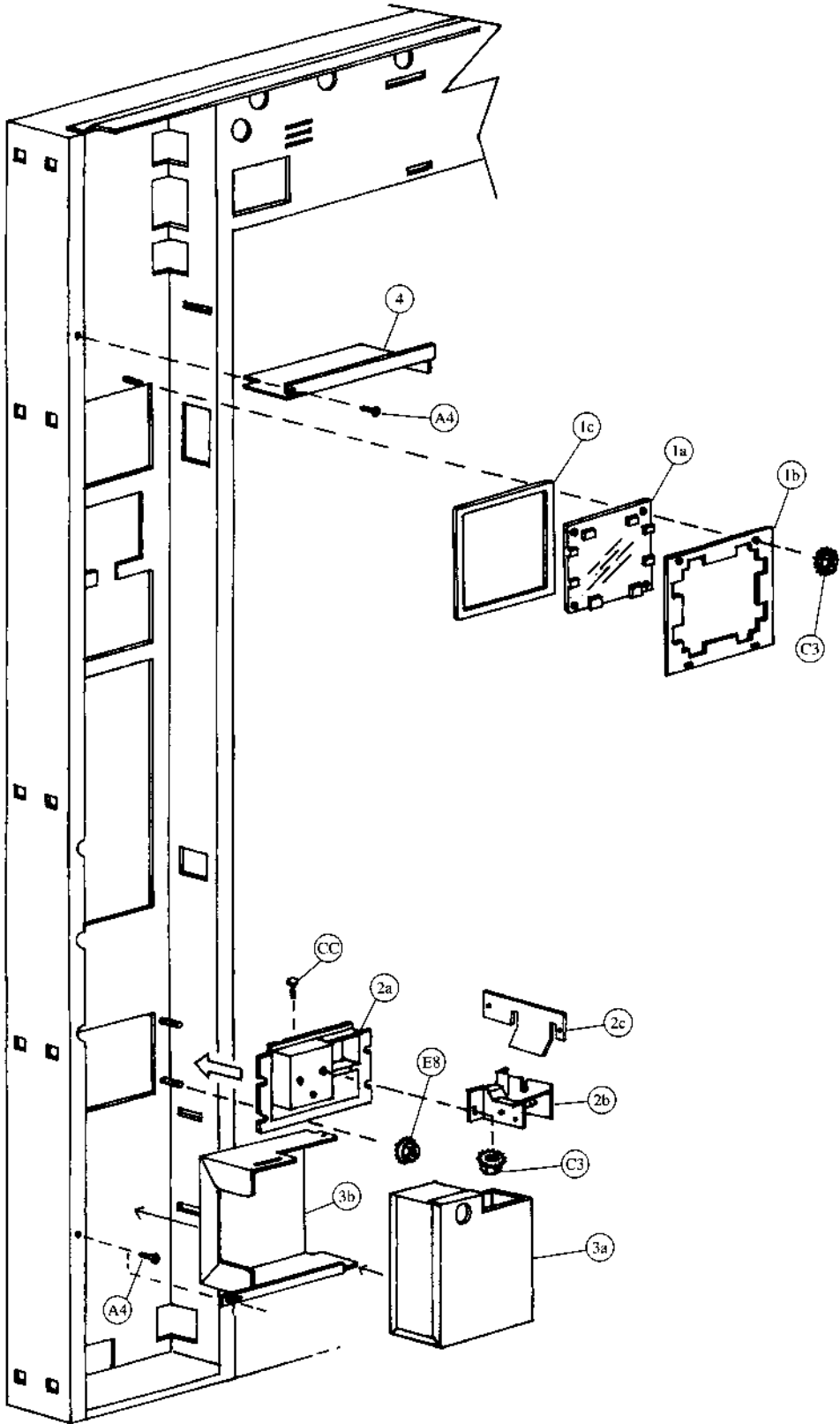
Coke (Landscape) DNCB 368CC

Dimensions	72" H x 37 1/6" W x 30 1/2" D (1829mm H x 940mm W x 775mm D)
Dimensions Less Door	72" H x 37 1/6" W x 27 1/2" D (1829mm H x 940mm W x 698mm D)
Approximate Weight	688 lbs. (312kg)
Selections/Columns	7/8 or 8/8
Total 12 oz. (330ml) Cans Capacity/Vend	376/360
Column Capacity 12 oz. (330ml) Cans	4 Single Columns - 32 Each 4 Double Columns - 62 Each

Main Door - Exterior - Coke (Landscape)



Main Door - Interior (A) - Coke (Landscape)

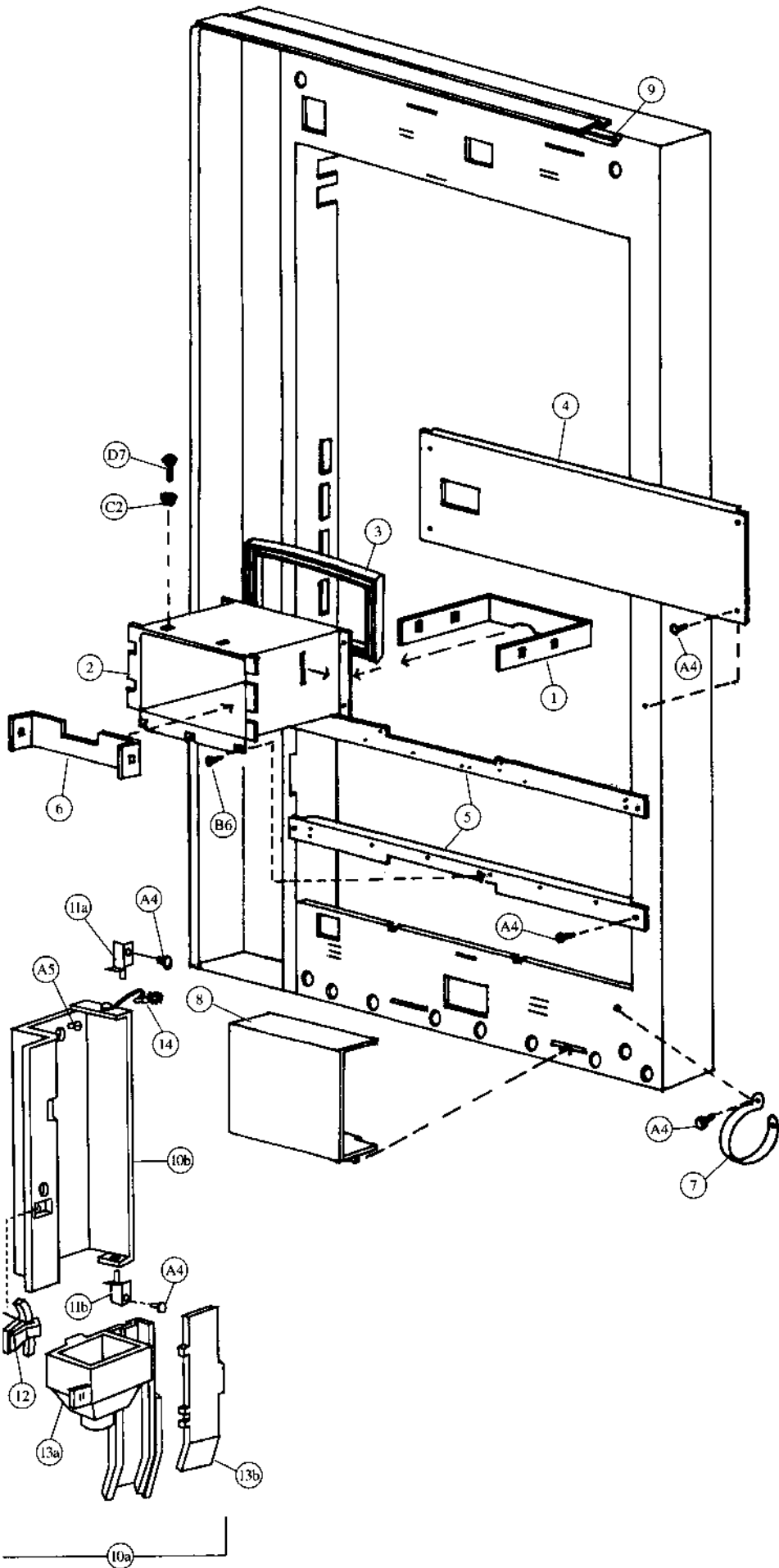


Main Door - Interior (A) - Coke (Landscape)

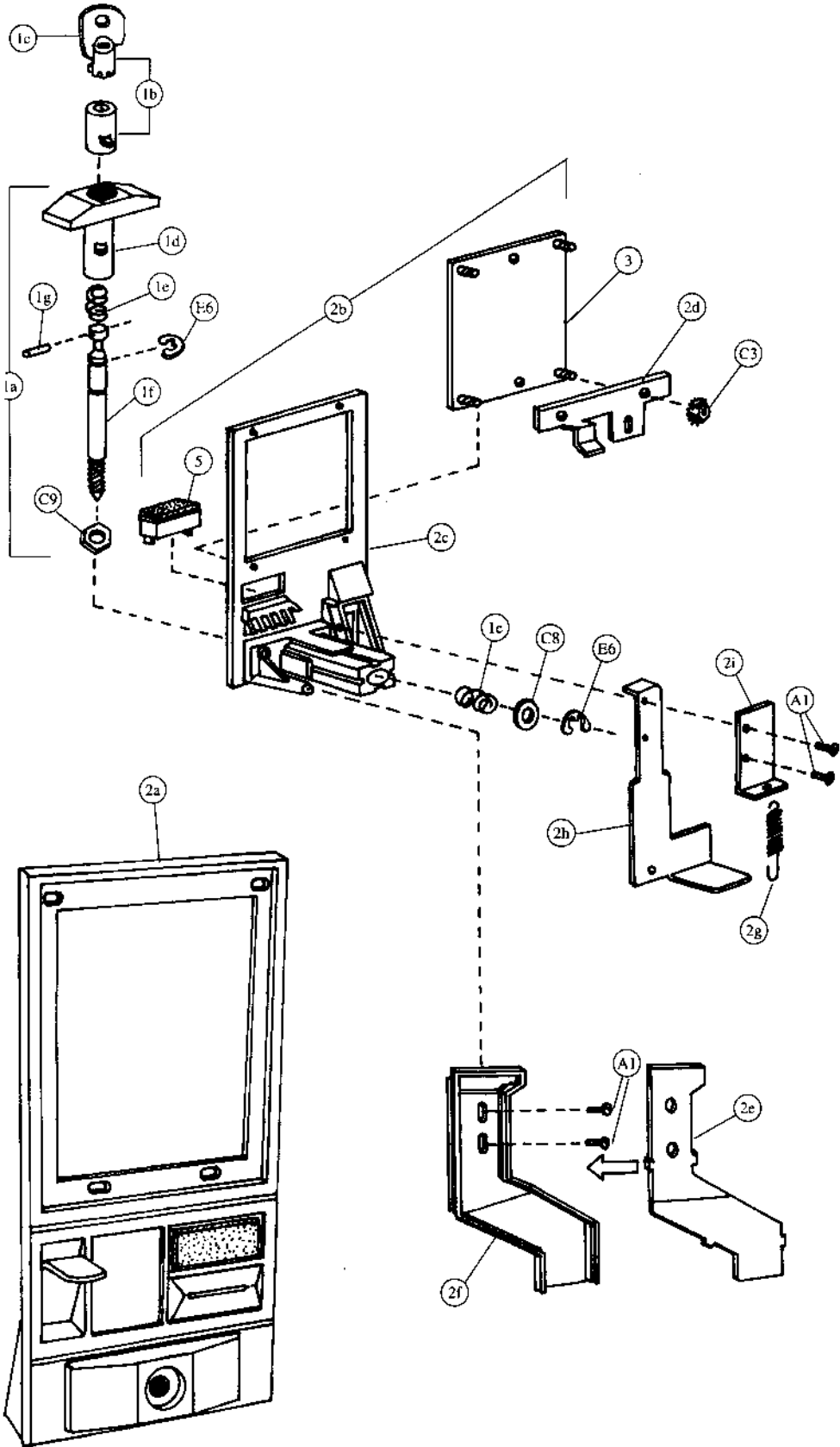
Item	Part Number	Part Name And Description
1a	801,806,930.01	Point Of Sale Window
1b	432,050,470.23	Point Of Sale Window Retainer
1c	902,001,030.01	Point Of Sale Window Gasket
1d	See list below	Point Of Sale Card (not shown)
	803,822,900.01	12 oz. Can (US & Canada)
	803,826,180.01	12 oz. Can (all others)
	803,826,360.01	"Coke Is It" (Taiwan)
	903,829,220.01	Minute Maid
	803,830,000.01	20 oz. Bottle
	803,829,230.11	16 oz. Bottle
	803,822,190.01	10 oz. Bottle
2a	801,805,610.11	Change Cup & Opener Bezel
2b	801,805,530.11	Change Cup
2c	399,050,270.13	Opener Housing Reinforcement Plate
3a	432,051,800.03	Lockable Cash Box, w/a
3b	432,050,181.43	Cash Box Shelf
4	432,050,340.43	Security Shelf
5	521,050,050.13	P.O.S. Window Security Channel (not shown)
6	901,000,190.01	Crown Puller (not shown)
7	432,050,400.03	Crown Catcher (not shown)
8	432,050,280.23	Crown Chute (not shown)

CC	901,201,220.11	Screw, Machine #8 - 32 x 3/4
E8	900,800,510.01	Elastic Stop Nut #8 - 32
B6	900,301,650.01	Screw, Phil Pan (with washer) #8 - 18 x 1/2 (not shown) (2)
C3	900,800,500.01	Keps Nut #8 - 32 (9)
B4	900,201,140.01	Screw, Machine Truss #10 - 32 1/2 (2)
A4	900,301,500.01	Screw, Phil Pan (without washer) #8 x 18 x 1/2

Main Door - Interior (B) - Coke (Landscape)



Pull-Out Handle & Coin Insert - Coke (Landscape)

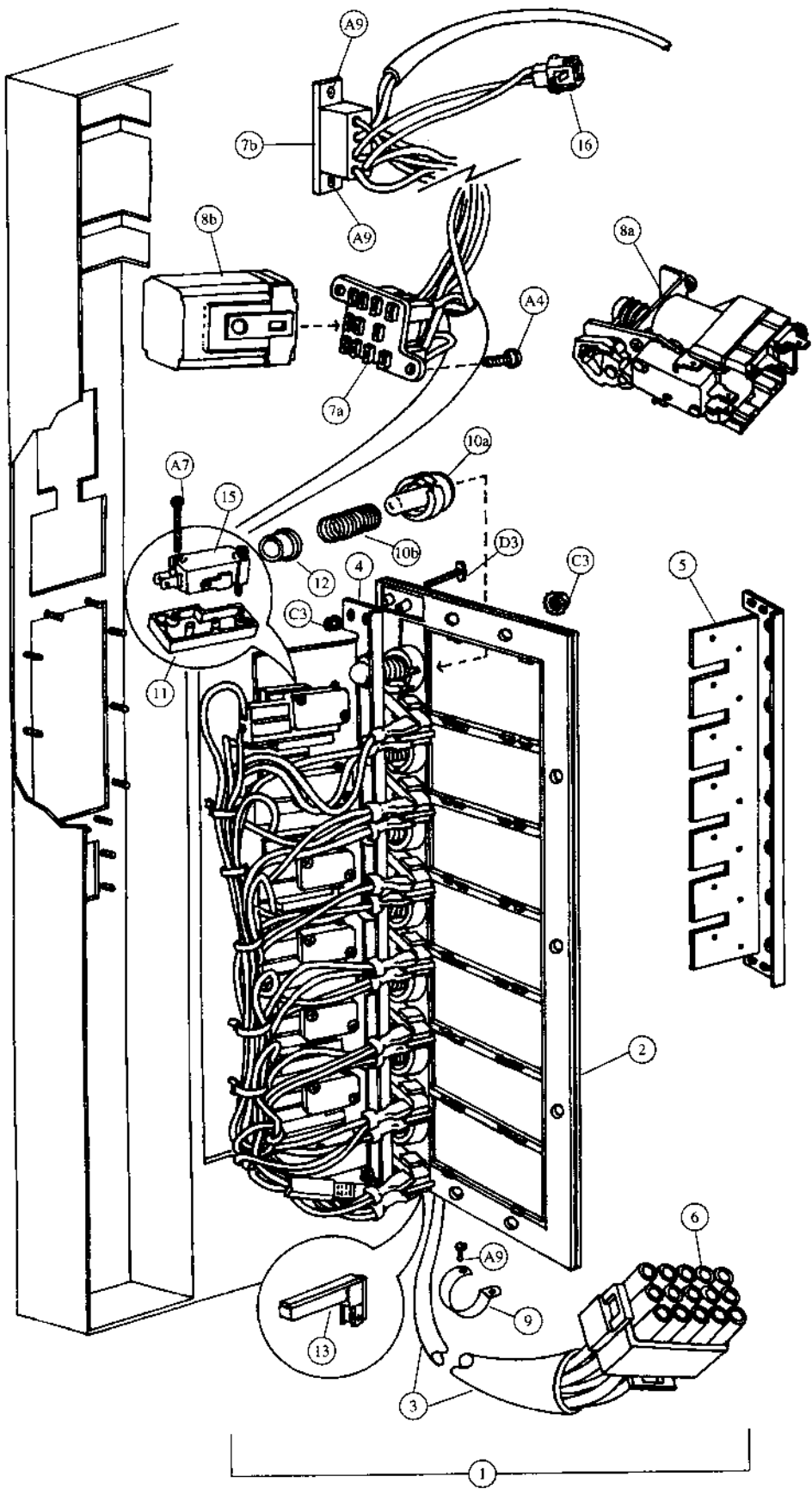


Pull-Out Handle & Coin Insert - Coke (Landscape)

Item	Part Number	Part Name And Description
1a	801,503,040.01	T Handle Assembly
1b	Specify key number	Lock with Two Keys
1c	Specify key number	Key Only
1d	801,505,730.01	Handle Only
1e	901,503,050.01	Spring
1f	4255-6-44W	Stud
1g	901,503,090.11	Cross Pin
2a	See list below	Complete Coin Insert Kit with T Handle
	491,010,800.04	Domestic (USA and Canada)
	Not applicable	Export (All others except listed below)
	Not applicable	Mexico
2b	See list below	Complete Coin Insert Kit without T Handle
	491,050,500.03	Domestic (USA and Canada)
	491,150,500.03	Export (All others except listed below)
	480,350,500.03	Mexico
2c	See list below	Coin Insert Only
	801,201,160.41	Domestic (USA and Canada)
	801,201,170.21	Export (All others except listed below)
	801,201,280.11	Mexico
2d	801,201,270.21	Argentina - Token
	453,050,130.83	Coin Insert Retainer
2e	801,805,800.31	Coin Chute Cover
2f	801,805,790.61	Coin Chute
2g	901,700,630.11	Spring Extension
2h	453,050,800.03	Coin Return Plunger Assembly
2i	432,050,570.33	Plunger Bracket
3	432,050,210.23	Validator Plate
4	See list below	Instruction Label (not shown)
	803,822,940.01	English
	903,832,680.01	Irish
	803,825,760.01	Spanish
	803,825,410.01	French
	803,825,750.01	Italian
	803,825,740.01	German
5	See list below	Correct Change Lamp
	904,700,180.31	English "Use Correct Change"
	804,700,500.11	English, IEC Standard "Use Correct Change"
	804,700,440.31	Spanish "Importe Exacto"
	804,700,450.21	French "Faites L' Appoint"
	804,700,400.21	Italian "Usare Monete Contate"
	804,700,470.21	Turkish "Lutfen Para Atiniz"
	804,700,480.21	German "Abgezahletes Geld Verwendeb"
904,700,490.21	Portuguese "Introduza Quantia Exacta"	
6	801,806,080.11	Drip Chute (not shown)

E6	901,503,070.01	E Ring	(2)
C8	901,503,060.01	Flat Washer	
C9	901,503,080.01	Hex Washer	
A1	900,301,700.01	Sems Screw #6-32 x 3/8	(4)
C3	900,800,500.01	Keps Nut #8-32	(4)

Select Panel - Coke (Landscape)

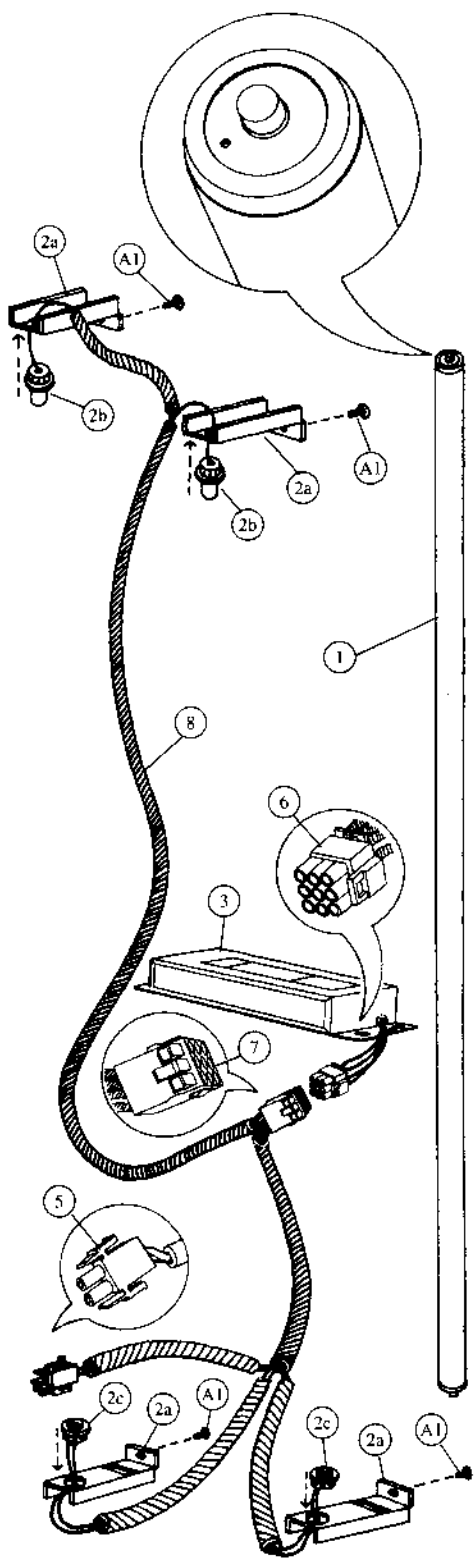


Select Panel - Coke (Landscape)

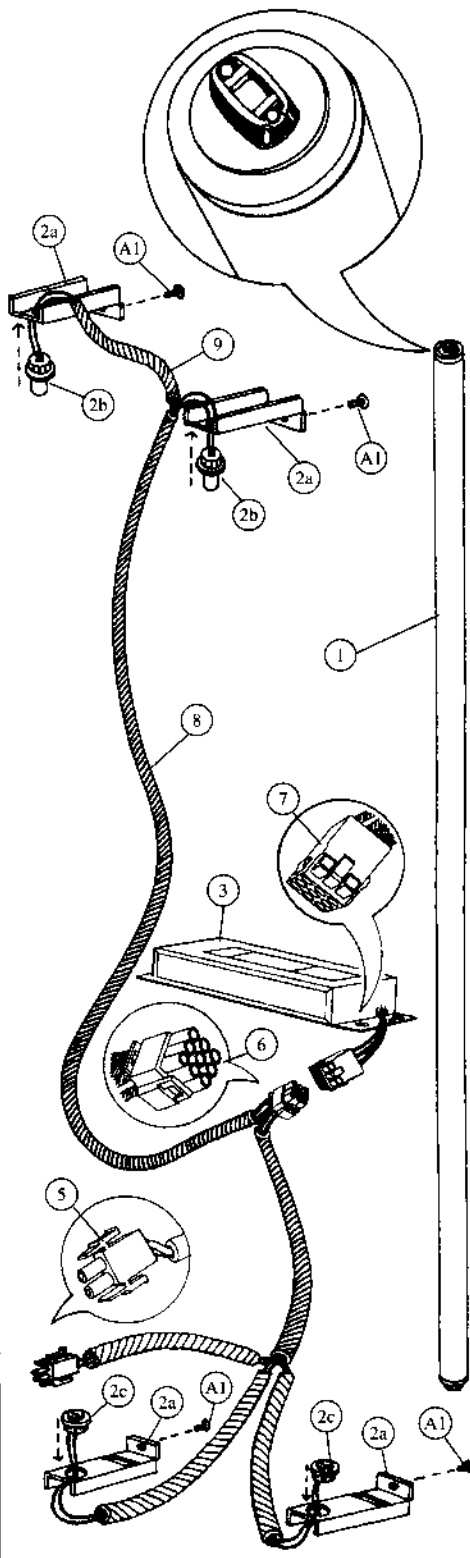
Item	Part Number	Part Name And Description
1	491,050,400.03	7 Select, Select Panel Assembly (specify harness)
	444,050,400.03	8 Select, Select Panel Assembly (specify harness)
2	801,805,740.01	7 Select, Select Panel
	801,805,780.01	8 Select, Select Panel
3a	See list below	7 Select Door Harness
	804,903,670.41	Single Price & Single Price - IEC Standard
	804,903,950.21	Two Price & Two Price - IEC Standard
	804,904,110.41	Four Price & Four Price - IEC Standard
3b	See list below	8 Select Door Harness
	804,903,680.41	Single Price & Single Price - IEC Standard
	804,903,960.41	Two Price & Two Price - IEC Standard
	804,904,130.41	Four Price & Four Price - IEC Standard
4	491,050,700.03	7 Select, Select Switch Bar Assembly
	444,050,700.03	8 Select, Select Switch Bar Assembly
5	432,050,530.63	7 Select, Select Switch Bar
	444,050,030.63	8 Select, Select Switch Bar
6	904,600,830.01	15-Way Plug
7a	904,600,620.01	Socket, Relay
7b	904,600,600.01	Socket, Coin Changer
8a	804,200,190.01	Sequence Relay (7 Select only)
8b	804,200,170.01	Vend Relay (single price only)
9	901,901,890.01	1" Clamp
10a	801,805,710.21	Push Button
10b	901,700,720.11	Push Button Spring
11	801,805,920.21	Switch Insulator
12	902,000,580.01	Nylet
13	804,700,210.01	Sold Out Lamp
14	Indicate flavor	Flavor Cards (not shown)
15	804,100,710.01	Select Switches (single Micro)
16	904,600,700.01	2-Way Cap

A4	900,301,500.01	Screw, Phil Pan (without washer) #8 - 18 x 1/2 (2)
A9	900,301,560.01	Sems Screw #8 - 32 x 3/8 (7)
A7	900,300,470.01	Screw, Phil Pan #4 x 3/4 (14)
D3	900,400,430.01	T-Bolt #8 - 32 x 1 (4)
C3	900,800,500.01	Keps Nut #8 - 32 (14)

Lighting - Coke (Landscape)



Slimline



High-Output

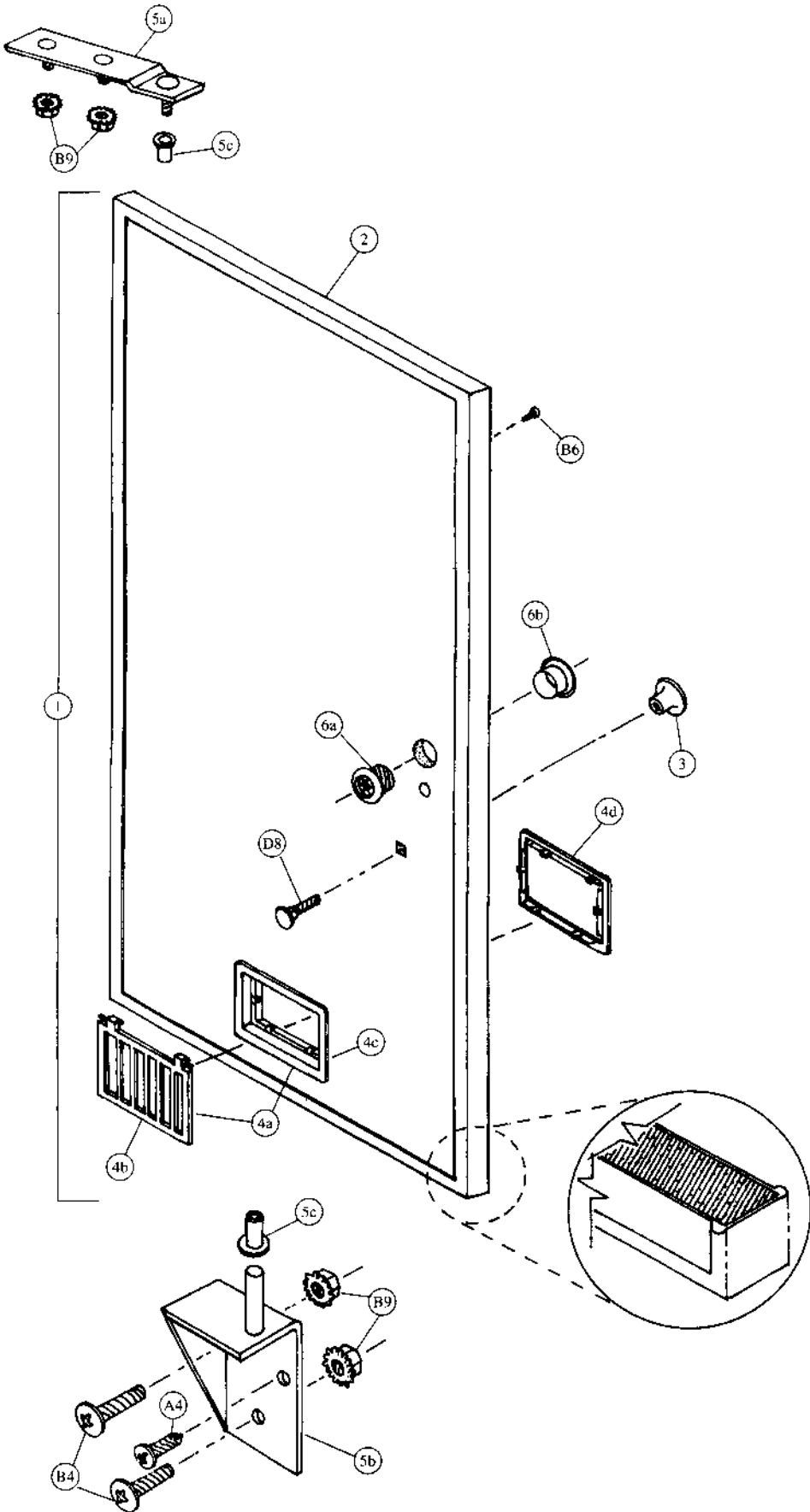
Lighting - Coke (Landscape)

Item	Part Number	Part Name And Description
High-Output Lighting		
1	804,700,370.01	Fluorescent Bulb - F64T12/D/HO
2a	432,050,380.63	Door Bracket Lamp Socket
2b	804,901,990.01	Top Lamp Holders - 523
2c	804,902,000.01	Bottom Lamp Holders - 524
3	804,400,380.01	Plug-In Ballast, Advance #VSM/HO
4	904,800,520.01	Connector, Electrical (not shown) (scotchlock 557)
5	904,600,710.01	2-Way Plug
6	904,600,670.01	9-Way Plug
7	904,600,660.01	9-Way Cap
8	804,904,510.21	Plug-In Ballast Harness, High Output
9	804,904,920.11	Lamp Fixture Jumper, High Output

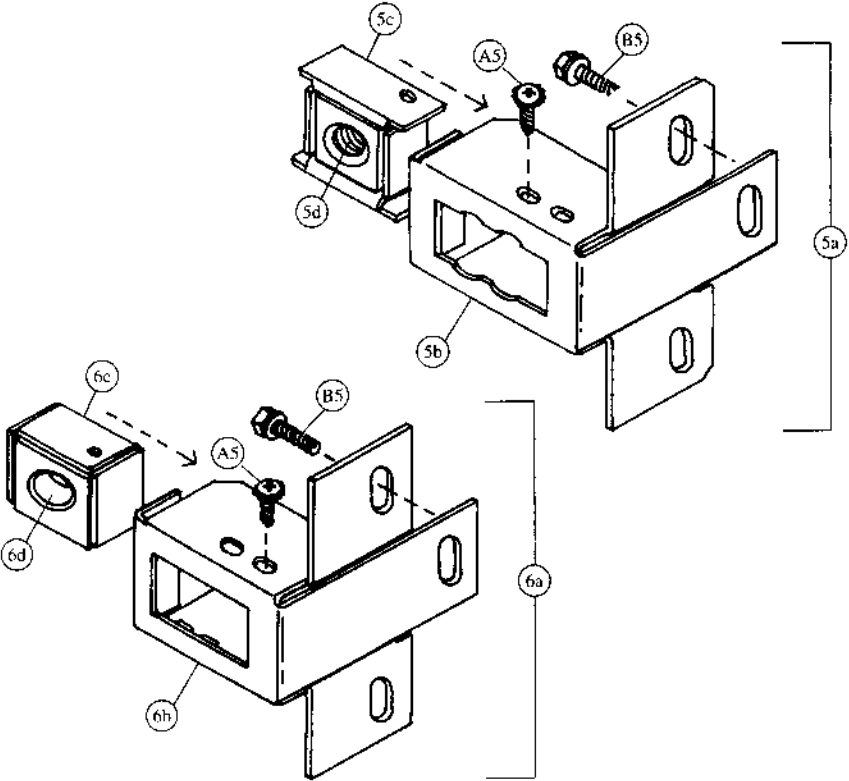
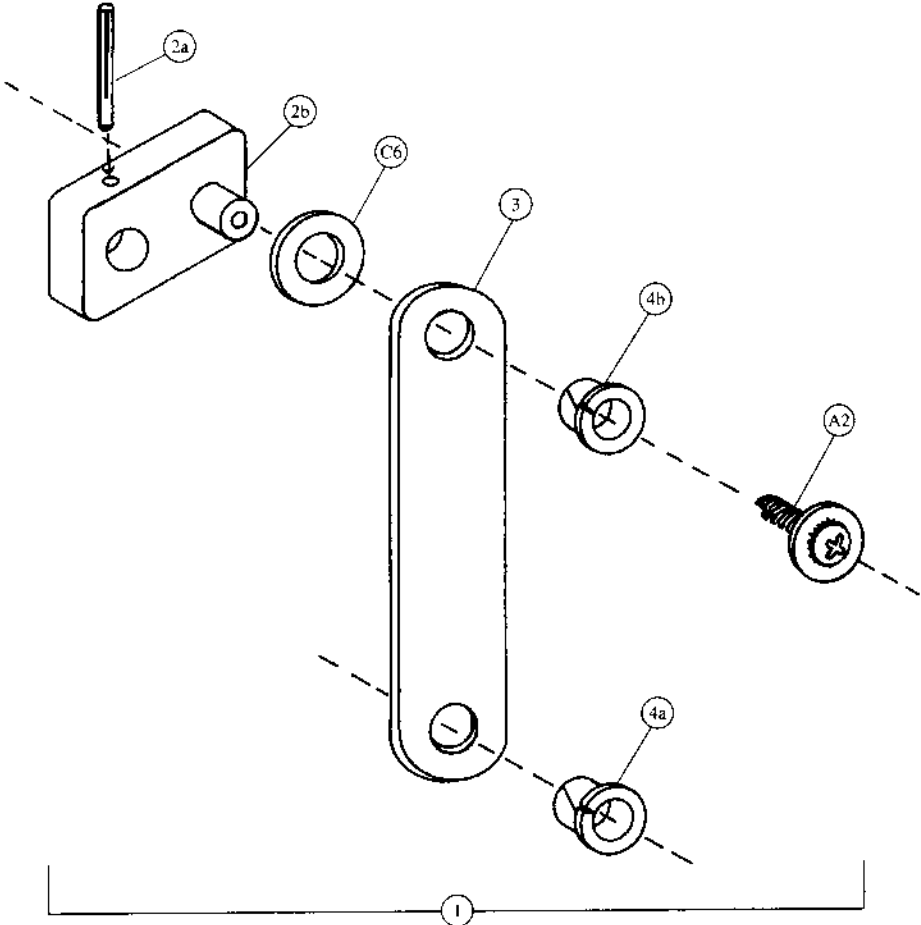
Slimline Lighting		
1	804,700,300.01	Fluorescent Bulb - F64T12/DAYLT
2a	432,050,380.63	Door Bracket Lamp Socket
2b	804,902,020.01	Top Lamp Holders - 516
2c	804,902,030.01	Bottom Lamp Holders - 517
3	804,400,370.11	Plug-In Ballast - Advance Slimline
4	904,800,520.01	Connector, Electrical (not shown) (scotchlock 557)
5	904,600,710.01	2-Way Plug
6	904,600,670.01	9-Way Plug
7	904,600,660.01	9-Way Cap
8	804,904,600.61	Plug-In Ballast Harness, Slimline

A1	900,301,700.01	Sheet Metal Screw #6 - 32 x 3/8 (4)
----	----------------	-------------------------------------

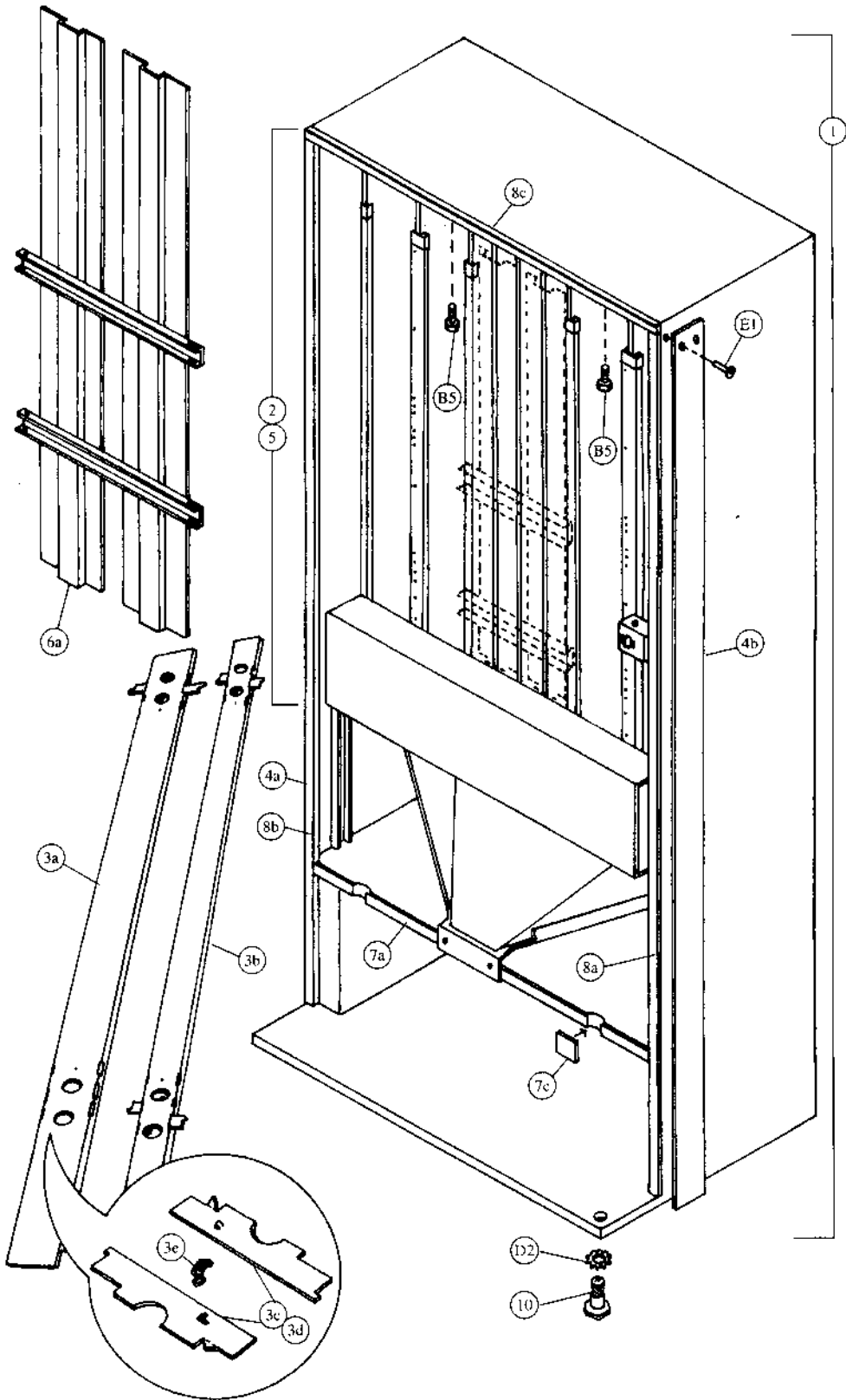
Inner Door - Coke (Landscape)



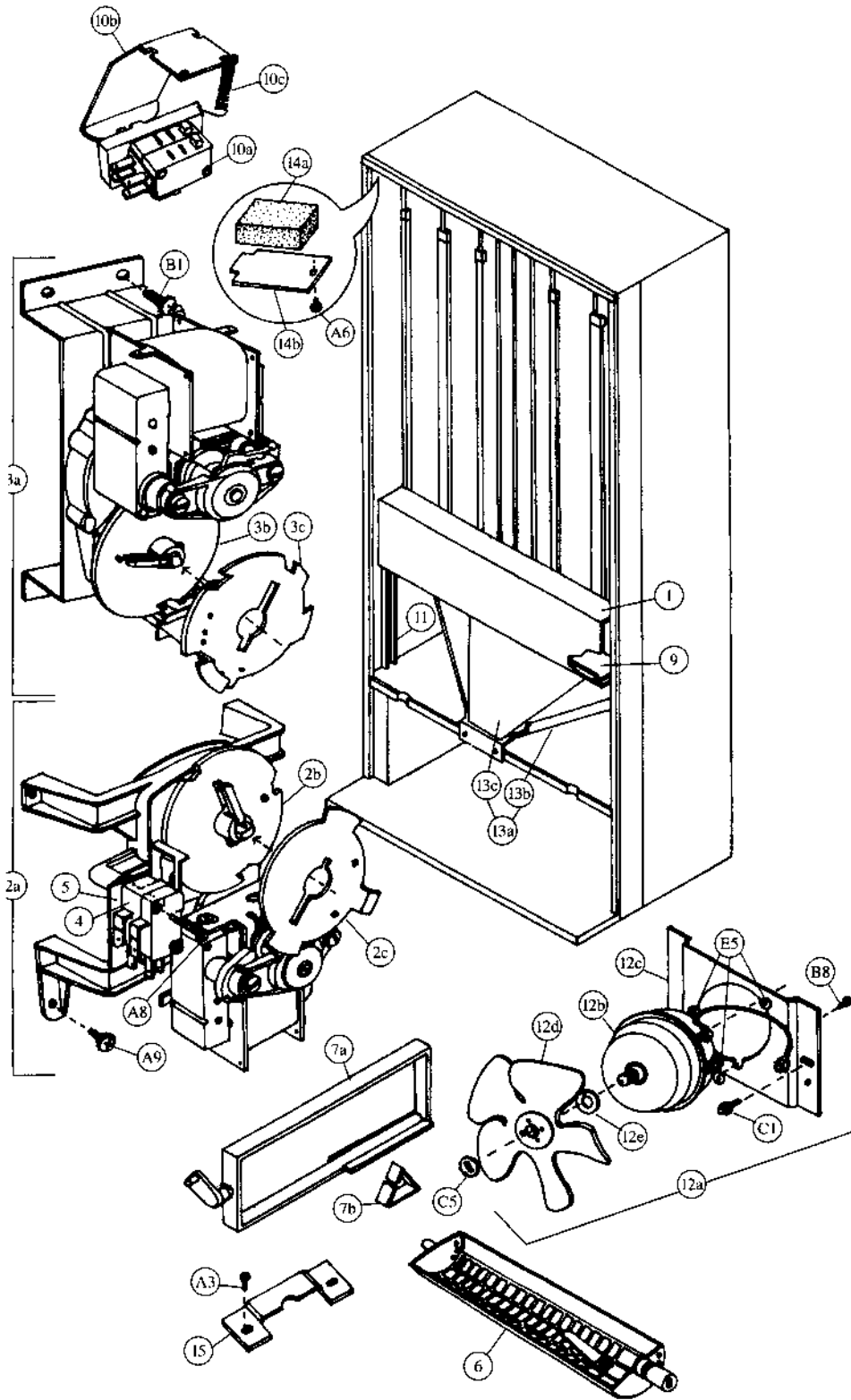
Two-Bar Linkage & Nut Retainer Housing - Coke (Landscape)



Cabinet Interior - Coke (Landscape)



Cabinet & Vend Mechanism - Coke (Landscape)

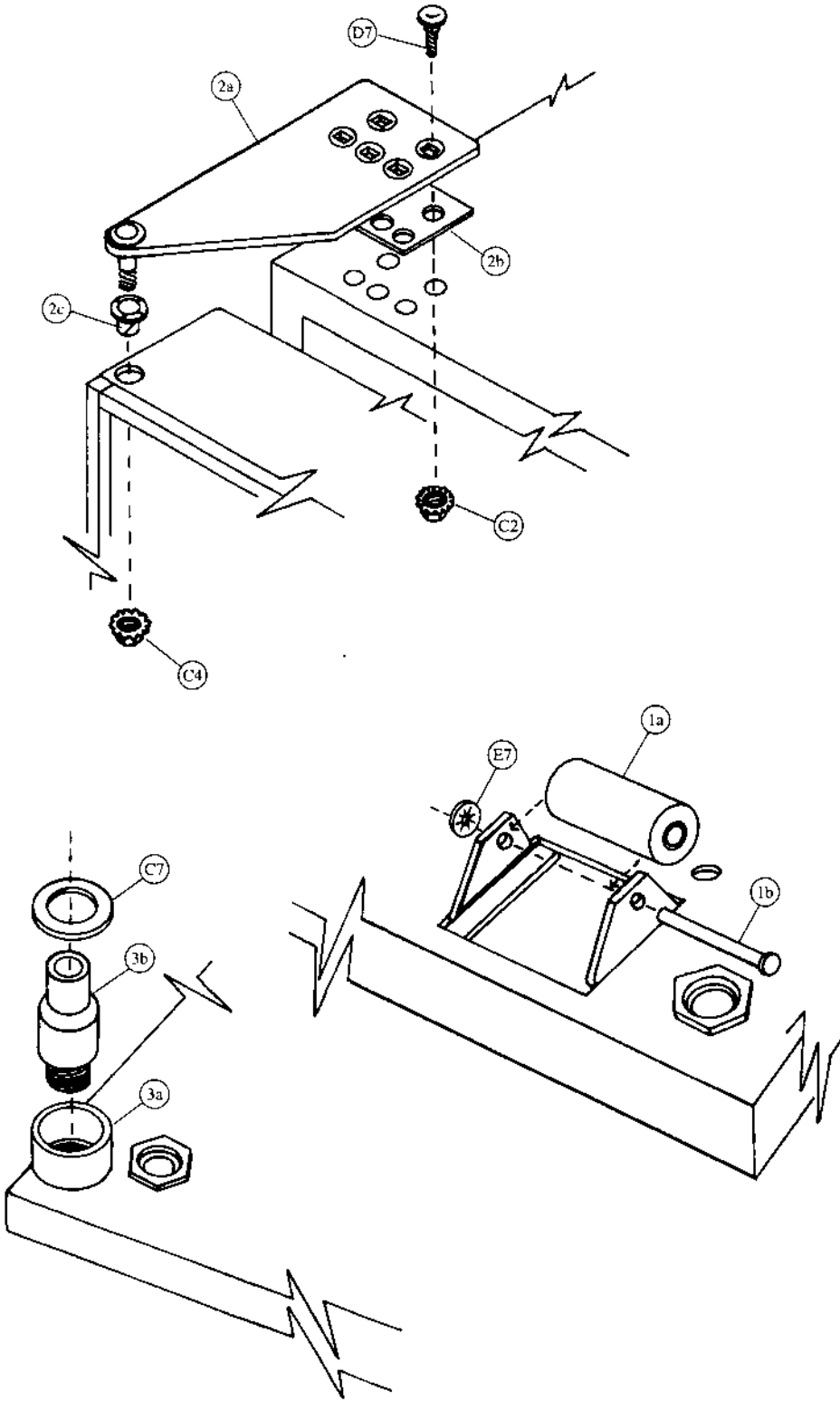


Cabinet & Vend Mechanism - Coke (Landscape)

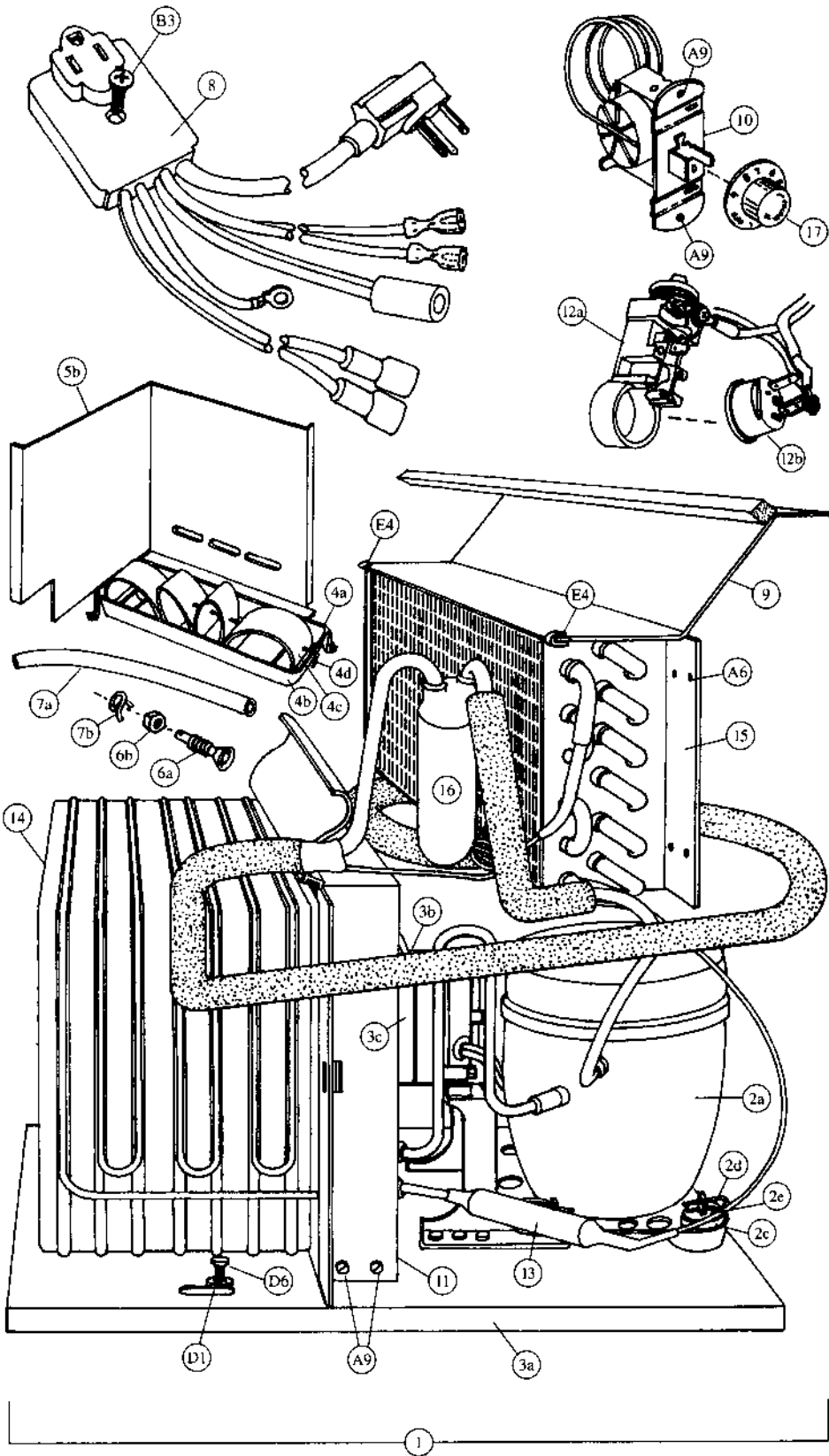
Item	Part Number	Part Name And Description
1	491,070,050.33	Vend Motor Cover, Wide
	491,071,200.23	Vend Motor Cover, Wide - IEC Standard
2a	See list below	Vend Motor Assembly, Wide
	491,070,300.03	Single Price
	491,170,100.03	Two/Four Price
2b	801,806,390.21	Vend Cam, Blue
2c	801,806,400.11	Adjustable Cam, Gold
3a	See list below	Vend Motor Assembly, Narrow
	491,070,400.03	Single Price
	491,170,200.03	Two/Four Price
3b	801,806,180.21	Vend Cam, Brown
3c	801,806,610.21	Adjustable Cam, Brown
4	See list below	Vend Motor Switch
	804,100,600.01	Single Price (Double Switch)
	804,100,690.01	Single Price - IEC Standard (Double Switch)
	804,100,700.01	Two/Four Price - IEC Standard (Triple Switch)
5	905,800,330.11	Vend Motor Switch Insulator
6	801,201,211.61	Vend Rotor - Narrow Column
7a	801,201,010.01	Vend Oscillator - Wide Column
7b	901,700,650.31	Can Retainer Oscillator
8a	801,803,170.21	Nyliner, Rear (not shown)
8b	901,804,230.01	Nyliner, Front - Wide Column only (not shown)
9	267,070,370.43	Wire Shield
10a	804,100,610.01	Sold Out Switch Assembly
	804,100,680.01	Sold Out Switch Assembly - IEC Standard
10b	432,070,190.13	Sold Out Paddle
10c	901,700,740.01	Sold Out Paddle Spring
11	491,020,070.33	Mechanism Support
12a	See list below	Evaporator Fan Motor Assembly
	491,000,200.03	115v
	491,140,400.03	220-240v
12b	See list below	Evaporator Fan Motor
	804,500,590.01	115v
	804,500,520.01	220-240v
12c	164,040,080.73	Evaporator Fan Motor Bracket
12d	801,303,270.11	Evaporator Fan Blade
12e	902,100,290.01	Silencer
13a	491,071,100.03	Can Chute Assembly (includes 13b & 13c)
13b	211,170,010.43	Can and Bottle Chute
13c	211,070,020.43	Chute Liner (Kydex)
14a	903,300,770.01	Foam Block
14b	169,000,130.03	Hinge Pocket Cover
15	176,072,110.13	Journal

C1	900,901,510.02	Screw, Phil Pan Tapping
A3	900,301,830.01	Sems Screw #10 - 32 x 3/8 (8)
A6	900,600,230.02	Sheet Metal Screw, Type "A"
B8	900,301,690.01	Hex Tap Screw #8 - 32 x 3/8 (3)
A8	900,301,820.01	Vend Motor Screw #4 x 1 1/16 - Double Switch (16)
	900,301,610.01	Vend Motor Screw #4 x 1 1/2 - Triple Switch
A9	900,301,560.01	Sems Screw #8 - 32 x 3/8 (28)
E5	900,401,090.01	Grommet, Black Rubber #97 (3)
C5	900,800,850.01	Speed Nut
B1	900,301,850.01	Sems Screw #8 - 32 x 3/8

Hinges and Rollers - Coke (Landscape)



Refrigeration - Coke (Landscape)



Refrigeration System - Coke (Landscape)

Item	Part Number	Part Name And Description
1	Provide information listed	Complete Refrigeration System: Indicate unit model number from serial plate on unit base plate, refrigerant, voltage/hertz and country.
2a	Provide information listed	Compressor 1/2 HP: Indicate compressor manufacturer, voltage/hertz, refrigerant and complete manufacturer's model number.
2b	See list below	Compressor Lead Harness (not shown)
	904,900,611.01	All, except IEC Standard
	804,905,320.01	220-240v/50hz, IEC Standard
2c	902,000,570.01	Compressor Mounting Grommet
2d	900,901,880.01	Compressor Mounting Retainer Clip
2e	901,803,910.01	Compressor Grommet Plug, Plastic
3a	491,040,040.43	Condenser Base Plate
3b	See list below	Condenser Fan Motor Assembly
	491,040,200.03	115v
	491,140,300.03	220-240v
3c	See list below	Condenser Fan Motor
	804,500,670.01	115v
	804,500,700.01	220-240v
3d	800,103,370.02	Fan Blade (not shown)
4a	491,000,100.03	Drain Pan Assembly
4b	801,303,670.01	Drain Pan
4c	901,900,020.11	Soaker (8 required)
4d	901,400,060.11	Soaker Rod
5a	491,040,050.53	Condenser Baffle, Right Side (not shown)
5b	491,040,060.63	Condenser Baffle, Rear
6a	801,806,050.11	Drain Tube
6b	900,301,790.01	Drain Tube Nut
7a	901,900,500.01	Drain Hose
7b	900,901,030.01	Drain Hose Clamp
8	See listing below	Main Wiring Harness
	804,902,220.01 (a)	United States
	804,905,480.01 (b)	Australia, IEC 335 (not shown)
	804,905,490.01 (c)	United Kingdom, IEC 335 (not shown)
	804,902,160.21 (d)	Europe (not shown)
	804,903,160.01 (e)	Mexico (not shown)
	804,905,450.01 (f)	Italy (not shown)
	804,905,470.01 (g)	Danish, IEC 335 (not shown)
804,905,360.01 (h)	Germany, with Splashwater Protector (not shown)	
9	211,040,030.13	Top Fan Housing
10	802,800,410.01	Temperature Control
11	491,040,110.33	Fan Shroud Condenser
12a	Provide information listed	Relay: Indicate compressor manufacturer, model # and voltage/hz
12b	Provide information listed	Overload: Indicate compressor manufacturer, model # and voltage/hz
13	802,401,240.01	Dryer
14	802,600,550.01	Condenser
15	802,600,370.51	Evaporator
16	802,400,460.01	Accumulator
17	802,800,420.01	Knob, Temperature Control
A6	900,600,230.02	Sheet Metal Screw, Type "A" (not shown) (2)
A9	900,301,560.01	Sems Screw #8 - 32 x 3/8 (8)
B3	900,301,810.01	Screw, #10 - 32 x 1 1/2
D1	900,700,360.01	Lockwasher, 3/8" (2)
E4	900,901,890.01	Tinnerman Clip (2)
D6	900,400,440.01	Refrigeration Bolt 3/8 - 16 x 1 (2)

When Ordering Parts, Indicate Model # And Serial # Of Vender.
All Parts Numbers And Prices Are Subject To Change Without Notice.

Signs and Decals - Coke (Landscape)



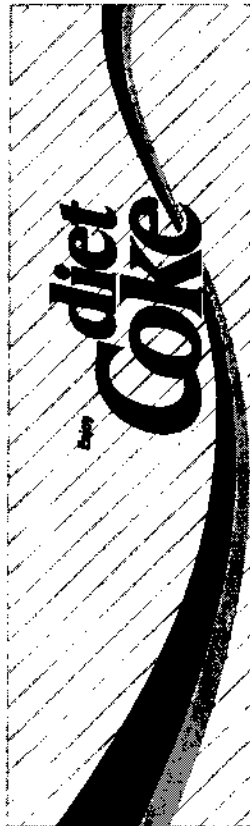
1



4



2

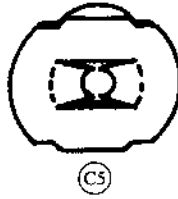
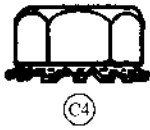
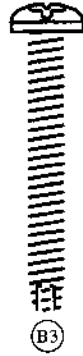


5

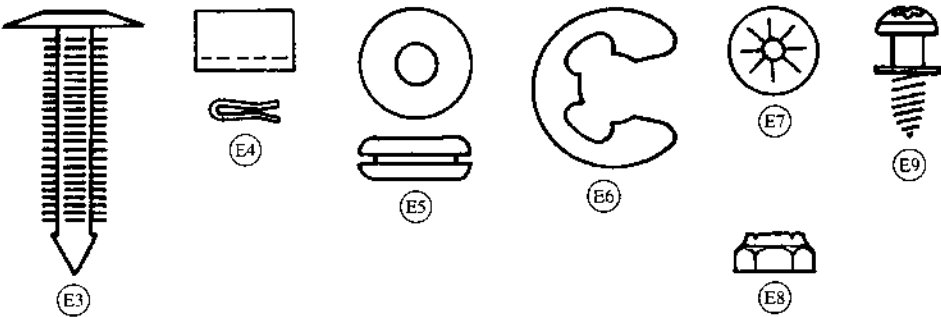
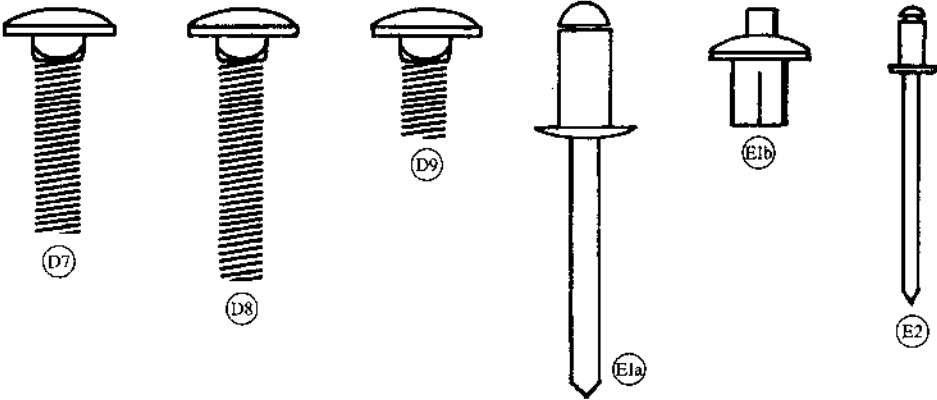
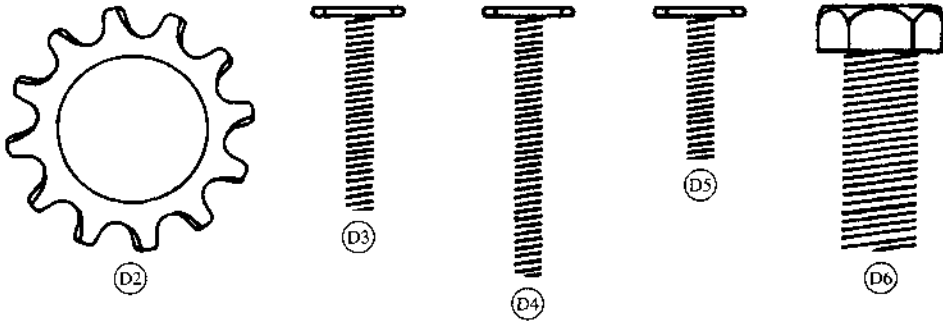
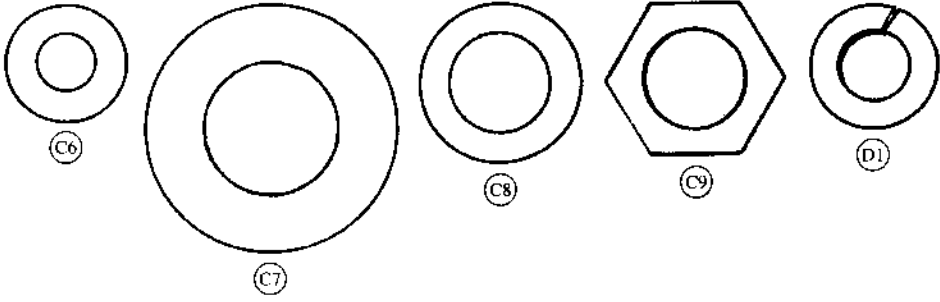
Signs & Decals- Coke (Landscape)

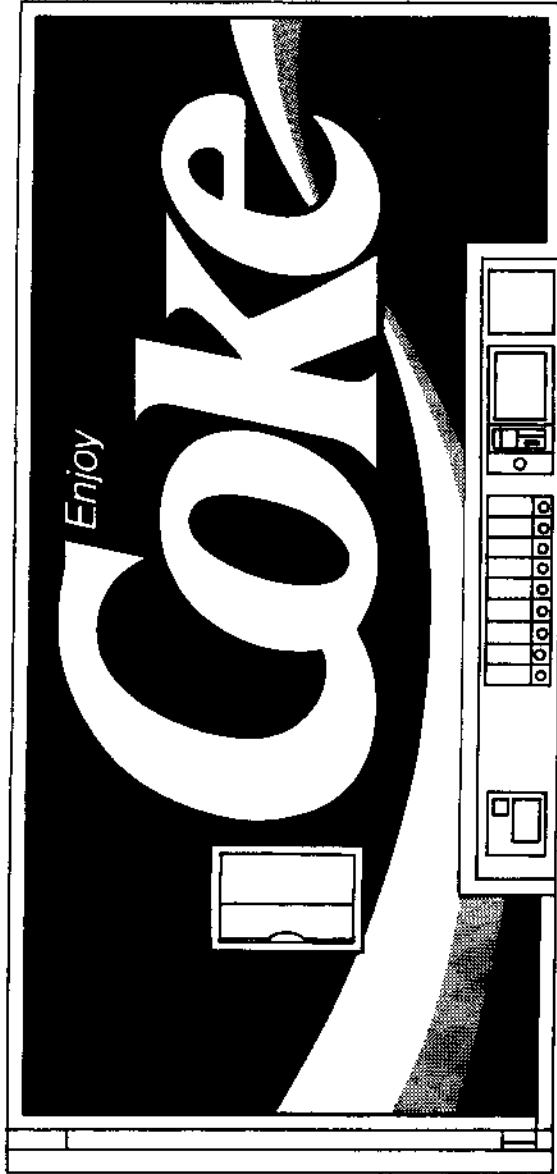
Item	Part Number	Part Name And Description
1	See list below	Circular Coke Signs
	805,006,460.31	Coca-Cola (USA) (shown)
	805,006,650.01	Coca-Cola Beba
	805,006,710.01	Coca-Cola CSA French
	805,006,720.01	Coca-Cola International
	805,006,770.01	Coca-Cola Italy
	805,006,910.01	Coca-Cola CSA English
	805,006,940.01	Coca-Cola Trink International
	805,006,950.01	Coca-Cola Buvez International
	805,007,140.01	Coca-Cola Horizontal
	805,007,360.01	Coca-Cola Puerto Rico
	805,007,680.01	Coca-Cola Arabic
	805,007,840.01	Coca-Cola Tome Circle
	805,007,960.01	Coca-Cola Light France
	805,008,290.01	Coca-Cola Australia
	805,008,730.01	Coca-Cola Coke Can On Ice
	805,009,950.01	Coca-Cola Greece
	805,010,140.01	Coca-Cola Coke Beba Can On Ice
	805,010,250.01	Coca-Cola Turkey
	805,008,440.01	Coca-Cola Light Sweden
	805,009,940.01	Coca-Cola Light Greece
	805,010,000.01	Coca-Cola Light Beba
	805,010,060.01	Coca-Cola Light Standard International
805,010,310.01	Coca-Cola Bevette Coke Light	
2	See list below	Coca-Cola Diet Coke Signs
	805,006,580.01	Diet Coke (USA) (shown)
	805,010,280.01	Diet Coke Turkey
3	805,008,000.01	Minute Maid Sign
4	See list below	Coke Side Decals
	803,822,210.11	Coca-Cola (USA) (shown)
	803,823,290.01	Coca-Cola Beba
	803,823,300.01	Coca-Cola International
	803,823,380.01	Coca-Cola Italian
	803,823,710.01	Coca-Cola CSA English
	803,823,770.01	Coca-Cola Buvez France
	803,825,370.01	Coca-Cola Dis Frute
	803,825,870.01	Coca-Cola Arab Bahrain
	803,826,150.01	Coca-Cola Tome Argentina
	803,831,000.01	Coca-Cola Greece
	803,833,030.01	Coca-Cola Turkey
	803,827,610.01	Coca-Cola Light Bromma
	803,830,990.01	Coca-Cola Light Greece
	803,826,310.01	Coca-Cola Light France
	803,831,090.01	Coca-Cola Light Beba
	803,831,470.01	Coca-Cola Light Standard International
803,833,180.01	Coca-Cola Light Bevette	
5	See list below	Diet Coke Side Decals
	803,822,970.01	Diet Coke (USA) (shown)
	803,833,060.01	Diet Coke Turkey
6	803,826,380.01	Minute Maid Side Decal

Screws & Nuts - Coke (Landscape)



Washers, Bolts & Misc. - Coke (Landscape)

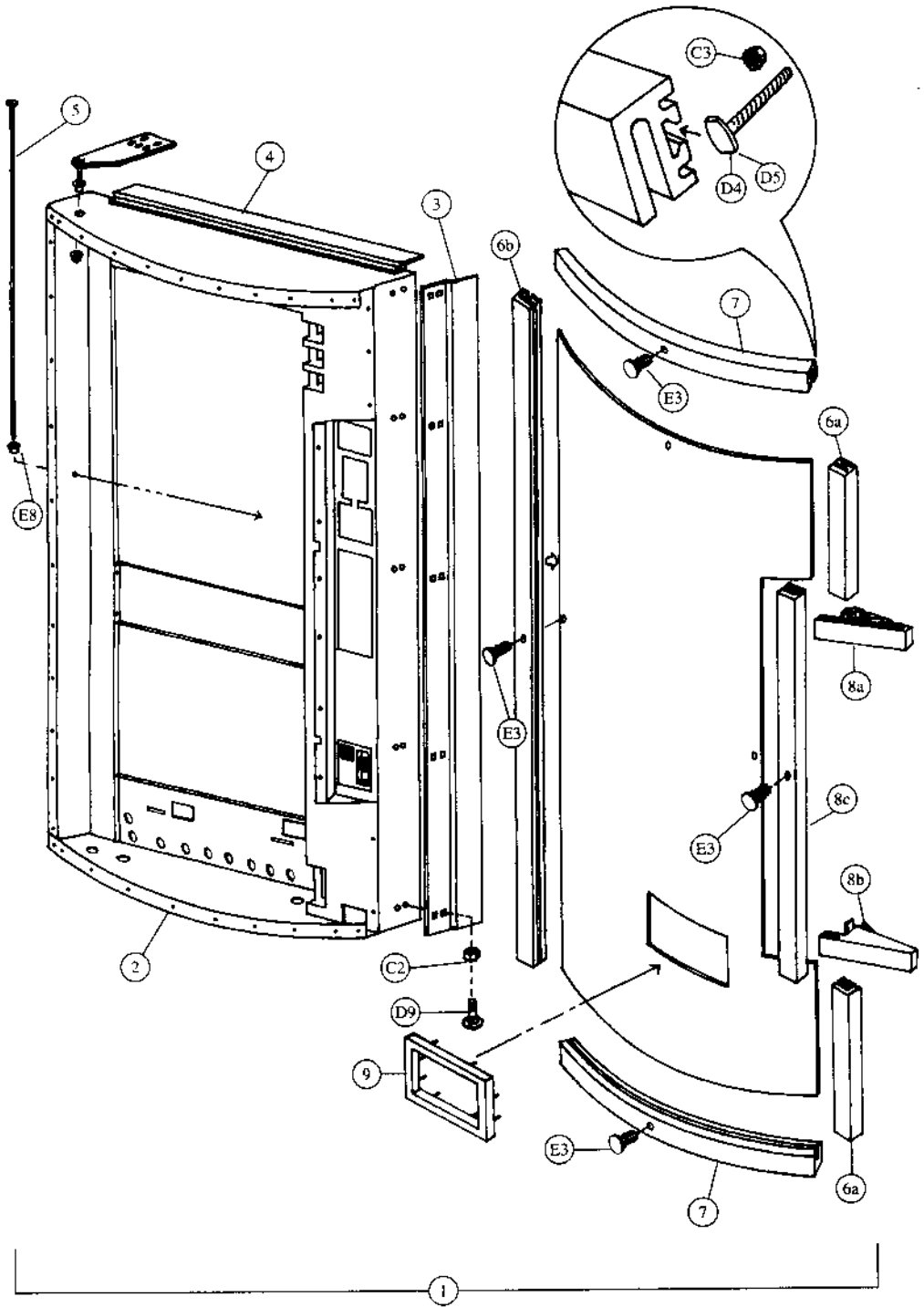




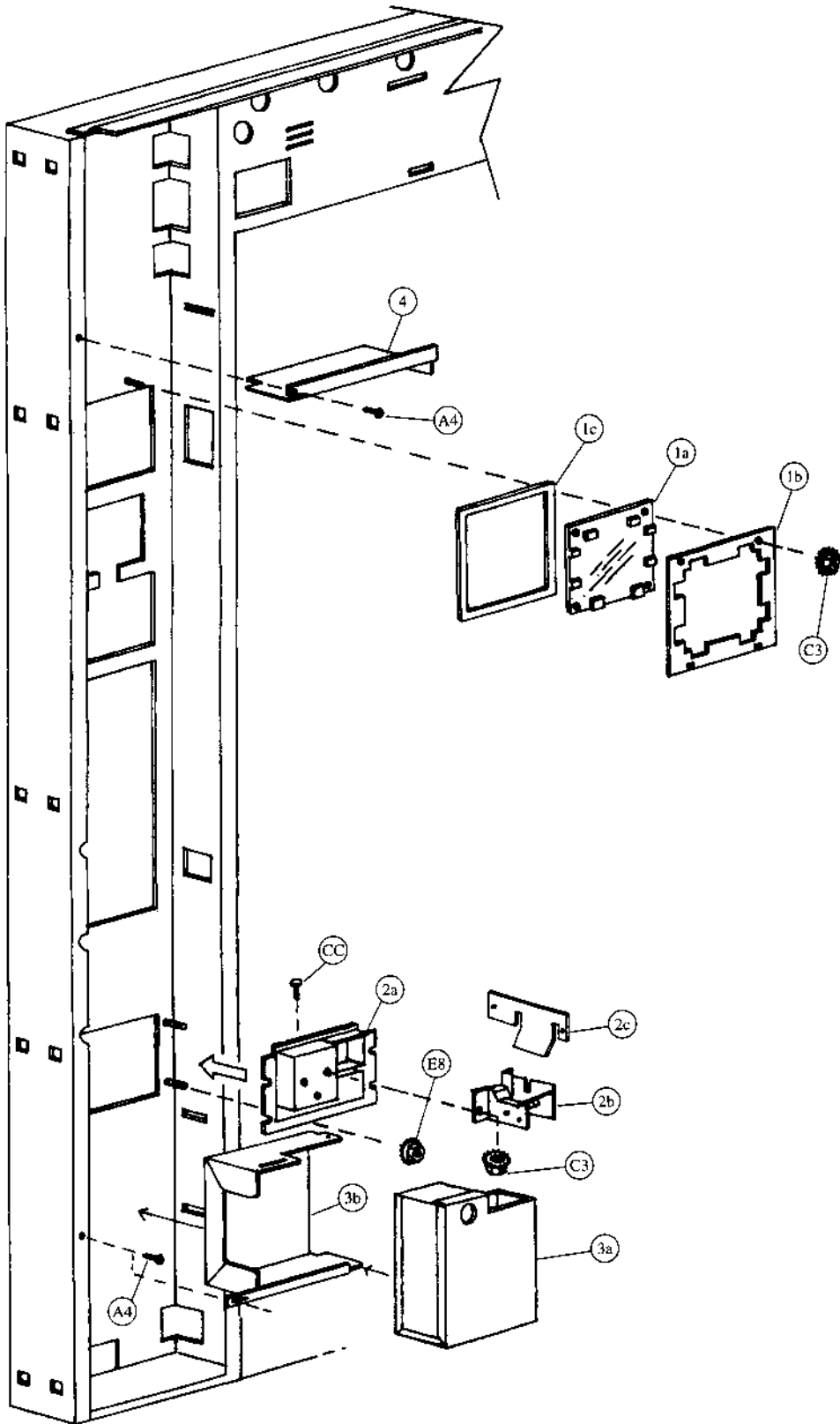
Coke (Landscape) DNCB 414CC

Dimensions	79 ½" H x 37 ¼" W x 30 ½" D (2019mm H x 940mm W x 775mm D)
Dimensions Less Door	79 ½" H x 37 ¼" W x 27 ½" D (2019mm H x 940mm W x 698mm D)
Approximate Weight	790 lbs. (358kg)
Selections/Columns	9/10
Total 12 oz. (330ml) Cans Capacity/Vend	416/396
Column Capacity 12 oz. (330ml) Cans	9 Single Columns - 38 Each 1 Double Column - 74 Each

Main Door - Exterior - Coke (Landscape)



Main Door - Interior (A) - Coke (Landscape)

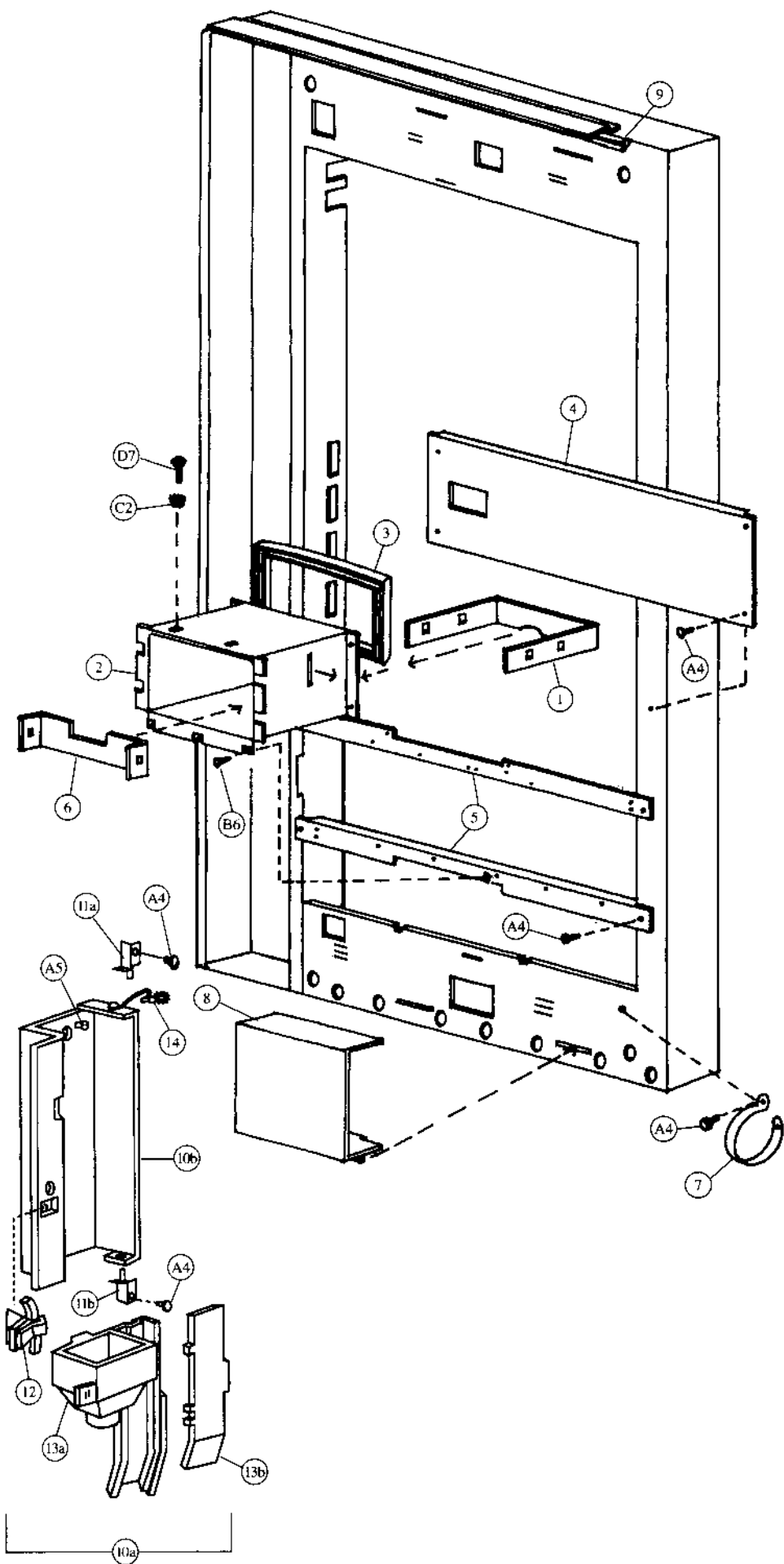


Main Door - Interior (A) - Coke (Landscape)

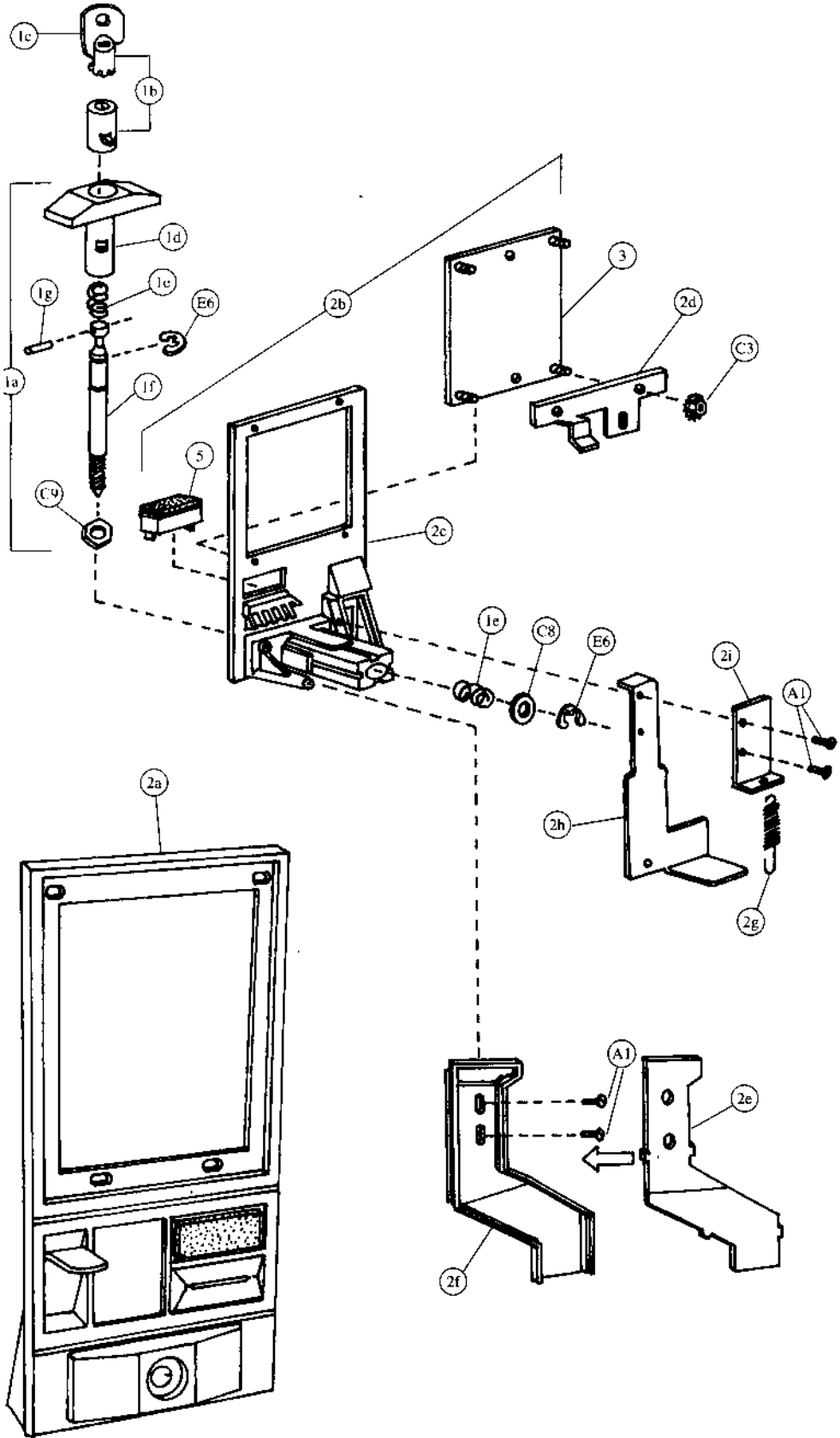
Item	Part Number	Part Name And Description
1a	801,806,930.01	Point Of Sale Window
1b	432,050,470.23	Point Of Sale Window Retainer
1c	902,001,030.01	Point Of Sale Window Gasket
1d	See list below	Point Of Sale Card (not shown)
	803,822,900.01	12 oz. Can (US & Canada)
	803,826,180.01	12 oz. Can (all others)
	803,826,360.01	"Coke Is It" (Taiwan)
	903,829,220.01	Minute Maid
	803,830,000.01	20 oz. Bottle
	803,829,230.11	16 oz. Bottle
	803,822,190.01	10 oz. Bottle
2a	801,805,610.11	Change Cup & Opener Bezel
2b	801,805,530.11	Change Cup
2c	399,050,270.13	Opener Housing Reinforcement Plate
3a	432,051,800.03	Lockable Cash Box, w/a
3b	432,050,181.43	Cash Box Shelf
4	432,050,340.43	Security Shelf
5	521,050,050.13	P.O.S. Window Security Channel (not shown)
6	901,000,190.01	Crown Puller (not shown)
7	432,050,400.03	Crown Catcher (not shown)
8	432,050,280.23	Crown Chute (not shown)

CC	901,201,220.11	Screw, Machine #8 - 32 x 3/4
E8	900,800,510.01	Elastic Stop Nut #8 - 32
B6	900,301,650.01	Screw, Phil Pan (with washer) #8 - 18 x 1/2 (not shown) (2)
C3	900,800,500.01	Keps Nut #8 - 32 (9)
B4	900,201,140.01	Screw, Machine Truss #10 - 32 1/2 (2)
A4	900,301,500.01	Screw, Phil Pan (without washer) #8 x 18 x 1/2

Main Door - Interior (B) - Coke (Landscape)



Pull-Out Handle & Coin Insert - Coke (Landscape)

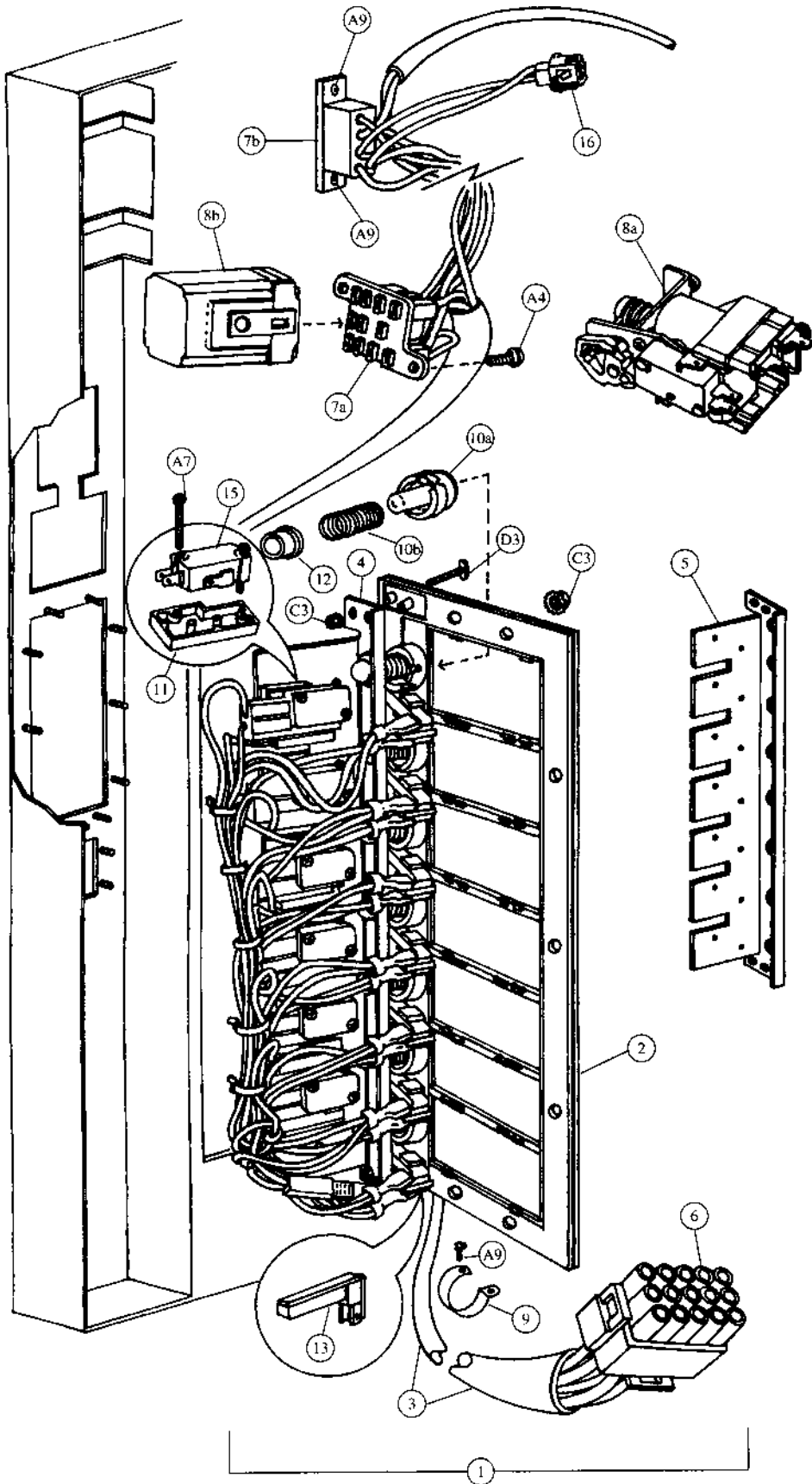


Pull-Out Handle & Coin Insert - Coke (Landscape)

Item	Part Number	Part Name And Description
1a	801,503,040.01	T Handle Assembly
1b	Specify key number	Lock with Two Keys
1c	Specify key number	Key Only
1d	801,505,730.01	Handle Only
1e	901,503,050.01	Spring
1f	4255-6-44W	Stud
1g	901,503,090.11	Cross Pin
2a	See list below	Complete Coin Insert Kit with T Handle
	491,010,800.04	Domestic (USA and Canada)
	Not applicable	Export (All others except listed below)
	Not applicable	Mexico
	Not applicable	Argentina - Token
2b	See list below	Complete Coin Insert Kit without T Handle
	491,050,500.03	Domestic (USA and Canada)
	491,150,500.03	Export (All others except listed below)
	480,350,500.03	Mexico
	480,550,500.03	Argentina - Token
2c	See list below	Coin Insert Only
	801,201,160.41	Domestic (USA and Canada)
	801,201,170.21	Export (All others except listed below)
	801,201,280.11	Mexico
	801,201,270.21	Argentina - Token
2d	453,050,130.83	Coin Insert Retainer
2e	801,805,800.31	Coin Chute Cover
2f	801,805,790.61	Coin Chute
2g	901,700,630.11	Spring Extension
2h	453,050,800.03	Coin Return Plunger Assembly
2i	432,050,570.33	Plunger Bracket
3	432,050,210.23	Validator Plate
4	See list below	Instruction Label (not shown)
	803,822,940.01	English
	903,832,680.01	Irish
	803,825,760.01	Spanish
	803,825,410.01	French
	803,825,750.01	Italian
	803,825,740.01	German
5	See list below	Correct Change Lamp
	904,700,180.31	English "Use Correct Change"
	804,700,500.11	English, IEC Standard "Use Correct Change"
	804,700,440.31	Spanish "Importe Exacto"
	804,700,450.21	French "Faites L'Appoint"
	804,700,400.21	Italian "Usare Monete Contate"
	804,700,470.21	Turkish "Lutfen Para Atiniz"
	804,700,480.21	German "Abgezahltes Geld Verwendeb"
	904,700,490.21	Portuguese "Introduza Quantia Exacta"
6	801,806,080.11	Drip Chute (not shown)

E6	901,503,070.01	E Ring (2)
C8	901,503,060.01	Flat Washer
C9	901,503,080.01	Hex Washer
A1	900,301,700.01	Sems Screw #6-32 x 3/8 (4)
C3	900,800,500.01	Keps Nut #8-32 (4)

Select Panel - Coke (Landscape)



Select Panel - Coke (Landscape)

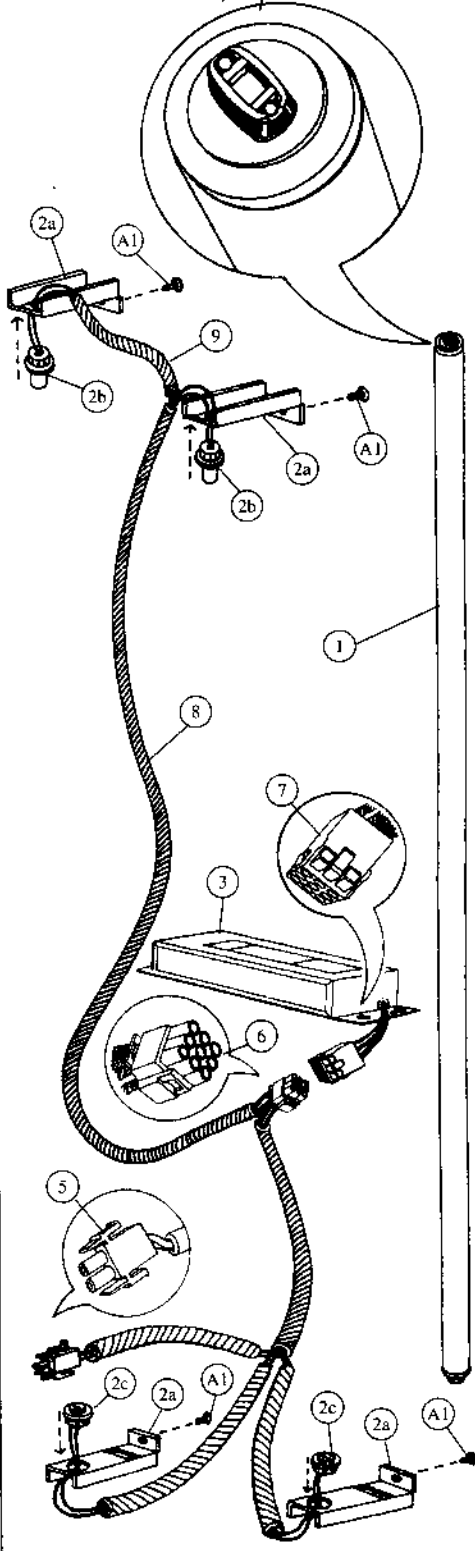
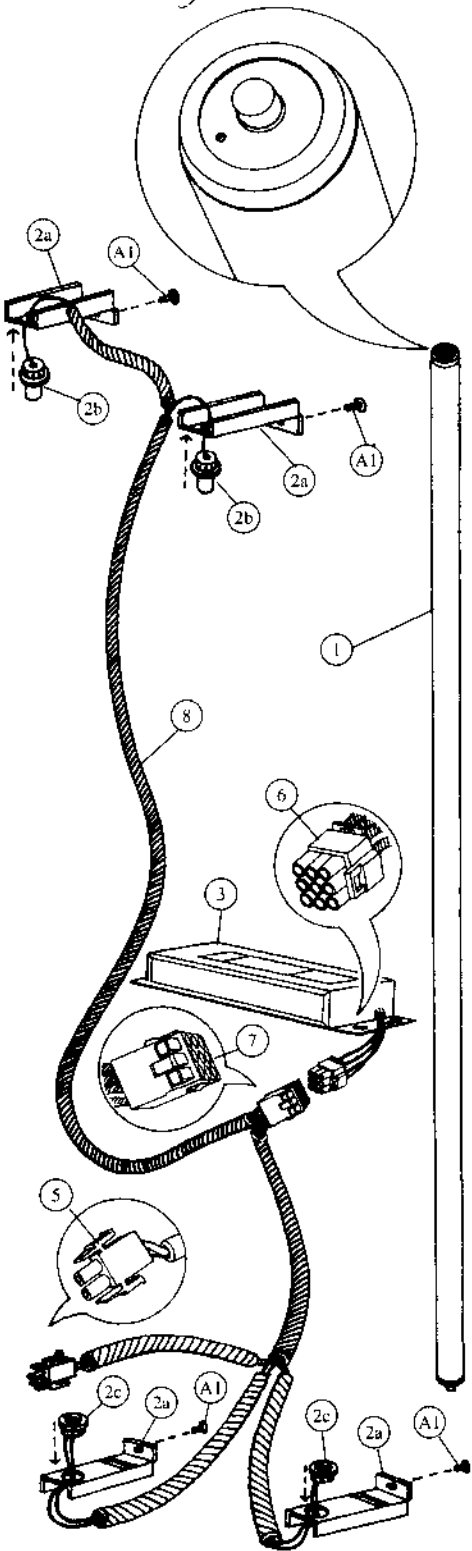
Item	Part Number	Part Name And Description
1	499,050,400.03	Select Panel Assembly (specify harness)
2	801,805,750.01	Select Panel
3	See list below	Door Harness
	804,903,730.21	Single Price & Single Price - IEC Standard
	804,903,970.41	Two Price & Two Price - IEC Standard
	804,904,140.41	Four Price & Four Price - IEC Standard
4	499,050,700.03	Select Switch Bar Assembly
5	437,050,030.63	Select Switch Bar
6	904,600,830.01	15-Way Plug
7a	904,600,620.01	Socket, Relay
7b	904,600,600.01	Socket, Coin Changer
8a	804,200,190.01	Sequence Relay
8b	804,200,170.01	Vend Relay (single price only)
9	901,901,890.01	1" Clamp
10a	801,805,710.21	Push Button
10b	901,700,720.11	Push Button Spring
11	801,805,920.21	Switch Insulator
12	902,000,580.01	Nylet
13	804,700,210.21	Sold Out Lamp
14	Indicate flavor	Flavor Cards (not shown)
15	804,100,710.01	Select Switches (single Micro)
16	904,600,700.01	2-Way Cap

A4	900,301,500.01	Screw, Phil Pan (without washer) #8 - 18 x 1/2 (2)
A9	900,301,560.01	Sems Screw #8 - 32 x 3/8 (7)
A7	900,300,470.01	Screw, Phil Pan #4 x 3/4 (14)
D3	900,400,430.01	T-Bolt #8 - 32 x 1 (4)
C3	900,800,500.01	Keps Nut #8 - 32 (14)

Lighting - Coke (Landscape)

Slimline

H/O



Slimline

High-Output

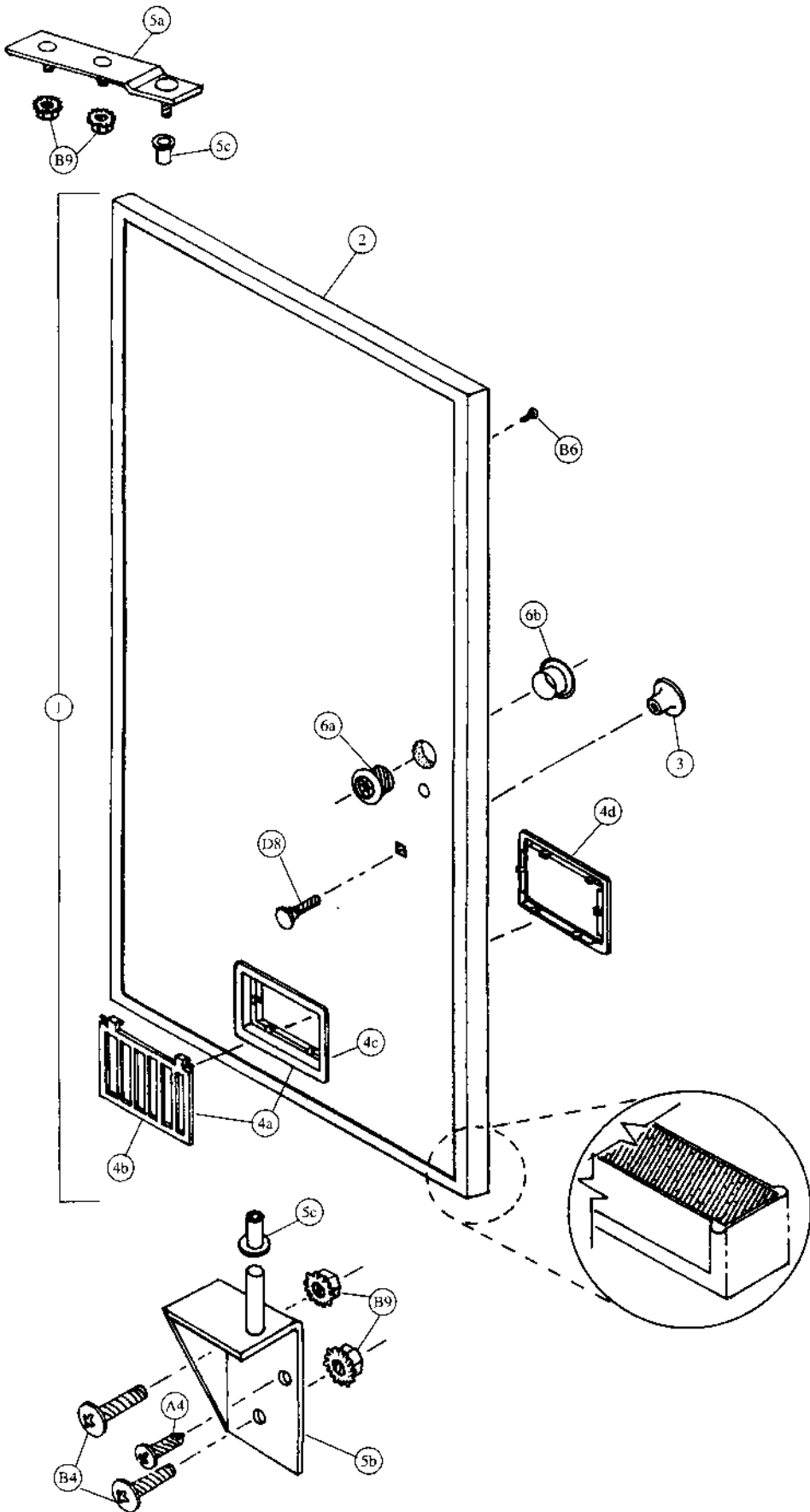
Lighting - Coke (Landscape)

Item	Part Number	Part Name And Description
High-Output Lighting		
1	804,700,360.01	Fluorescent Bulb - F72T12/D/HO
2a	432,050,380.63	Door Bracket Lamp Socket
2b	804,901,990.01	Top Lamp Holders - 523
2c	804,902,000.01	Bottom Lamp Holders - 524
3	804,400,380.01	Plug-In Ballast, Advance #VSM/HO
4	904,800,520.01	Connector, Electrical (not shown) (scotchlock 557)
5	904,600,710.01	2-Way Plug
6	904,600,670.01	9-Way Plug
7	904,600,660.01	9-Way Cap
8	804,904,510.21	Plug-In Ballast Harness, High Output
9	804,904,920.11	Lamp Fixture Jumper, High Output

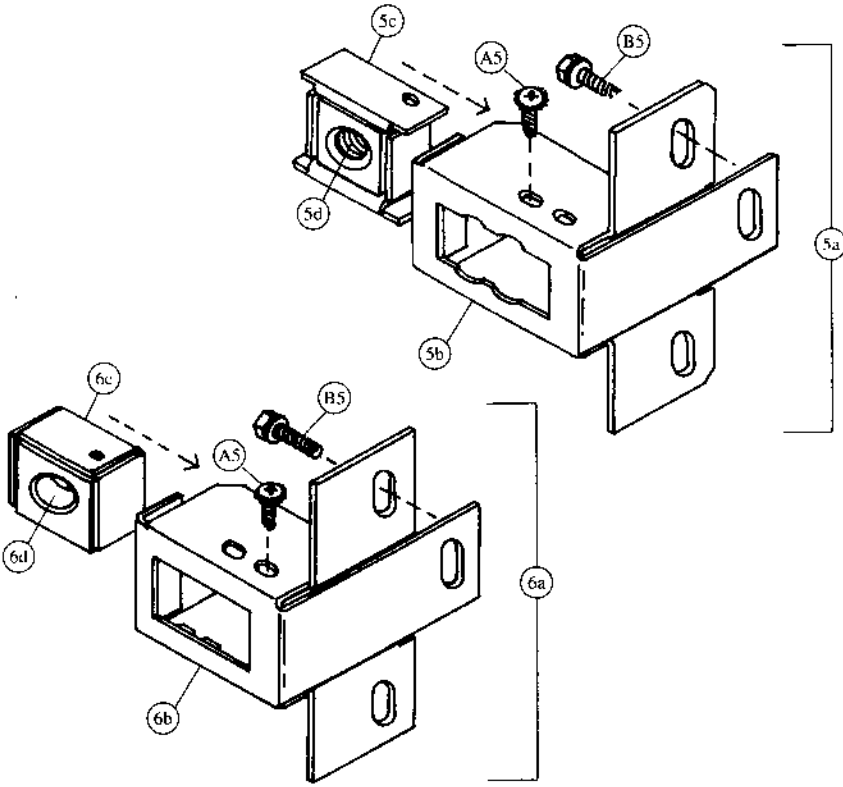
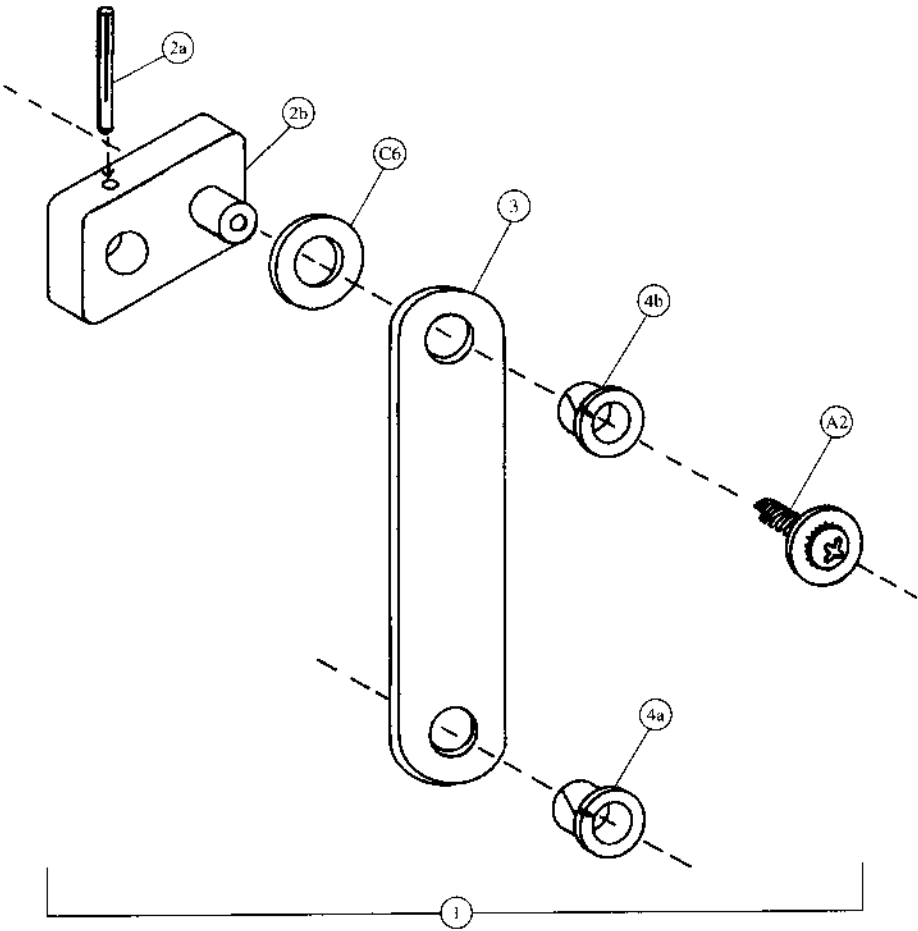
Slimline Lighting		
1	804,700,310.01	Fluorescent Bulb - F72T12/DAYLT
2a	432,050,380.63	Door Bracket Lamp Socket
2b	804,902,020.01	Top Lamp Holders - 516
2c	804,902,030.01	Bottom Lamp Holders - 517
3	804,400,370.11	Plug-In Ballast - Advance Slimline
4	904,800,520.01	Connector, Electrical (not shown) (scotchlock 557)
5	904,600,710.01	2-Way Plug
6	904,600,670.01	9-Way Plug
7	904,600,660.01	9-Way Cap
8	804,904,600.61	Plug-In Ballast Harness, Slimline

A1	900,301,700.01	Sheet Metal Screw #6 - 32 x 3/8	(4)
----	----------------	---------------------------------	-----

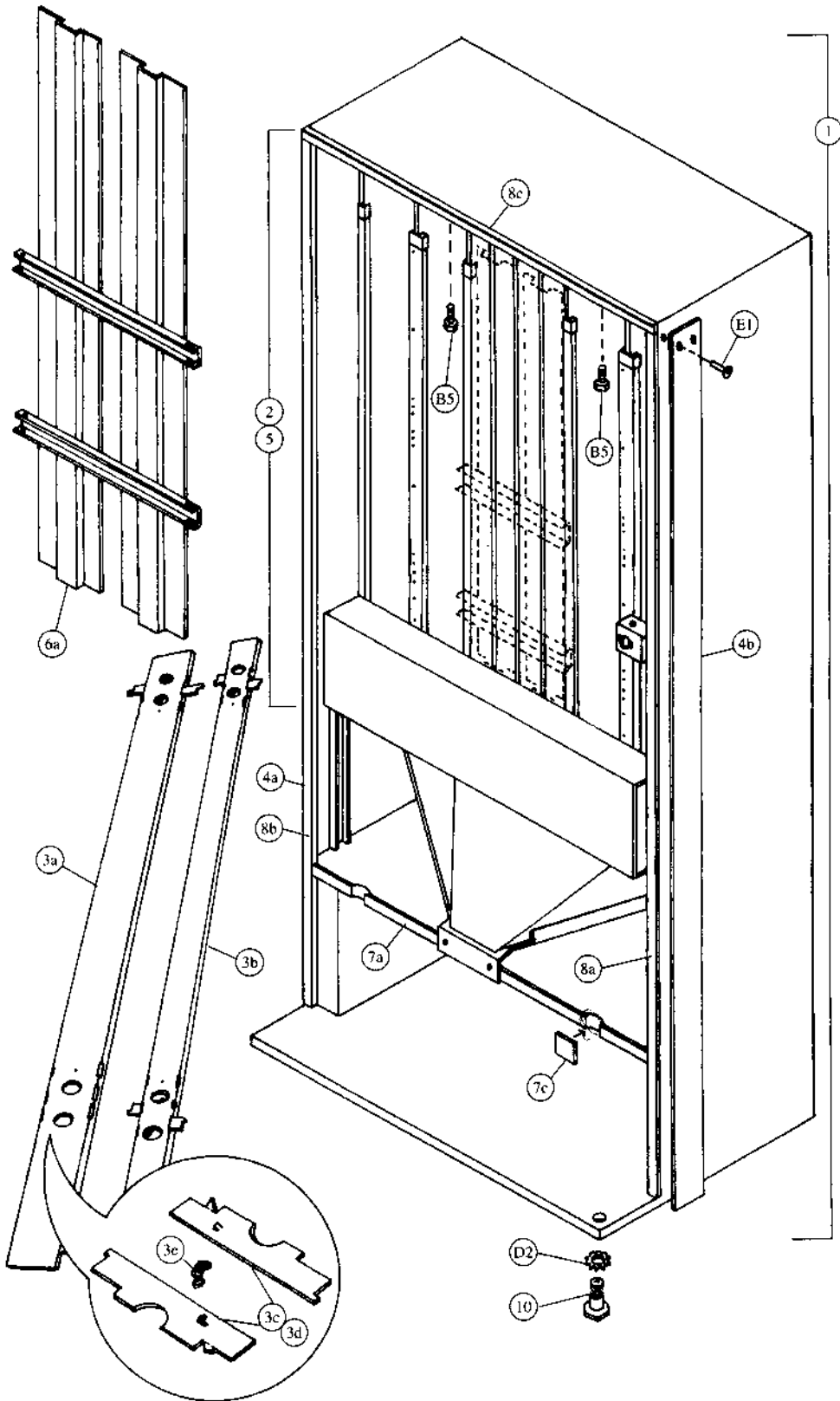
Inner Door - Coke (Landscape)



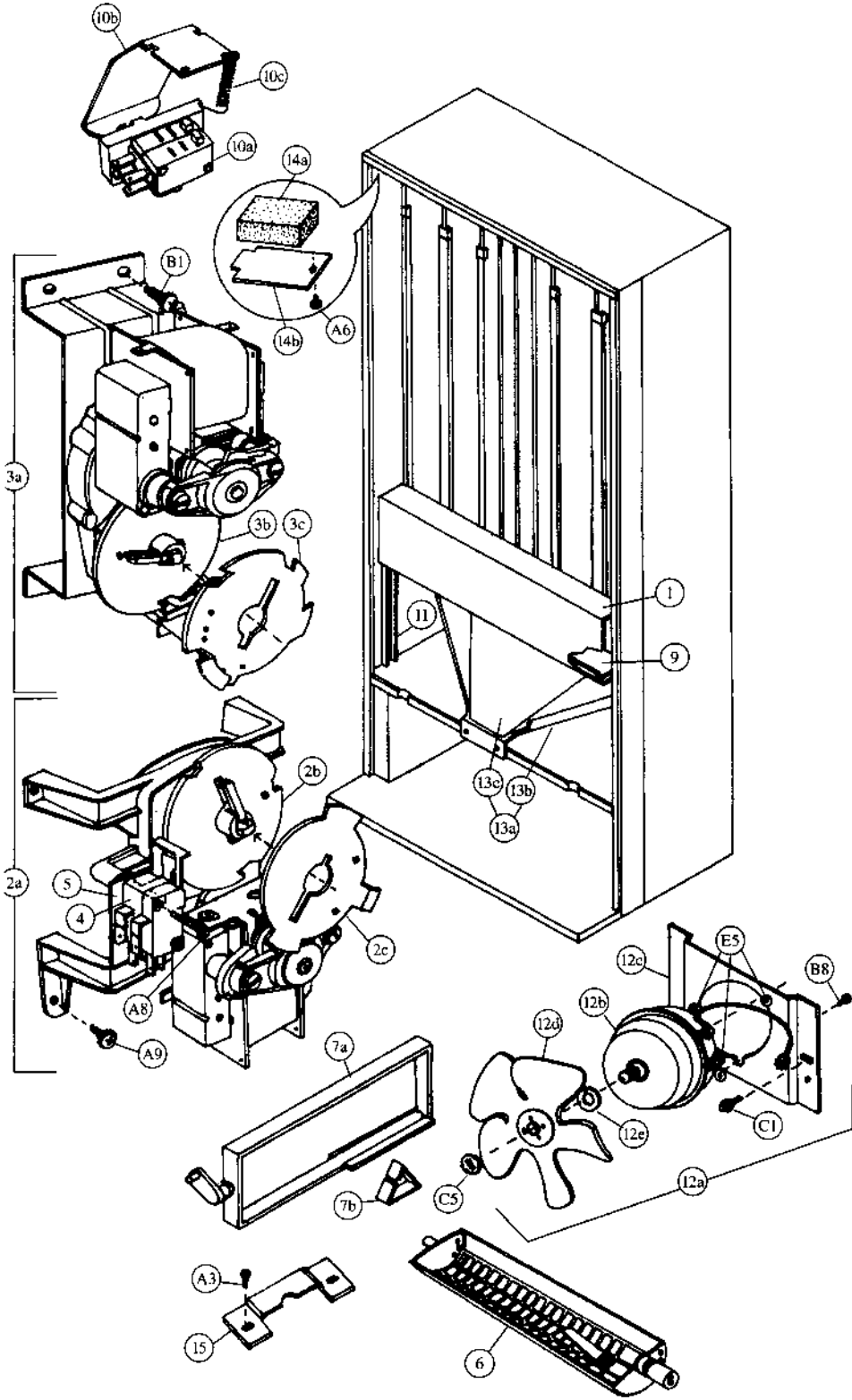
Two-Bar Linkage & Nut Retainer Housing - Coke (Landscape)



Cabinet Interior - Coke (Landscape)



Cabinet & Vend Mechanism - Coke (Landscape)

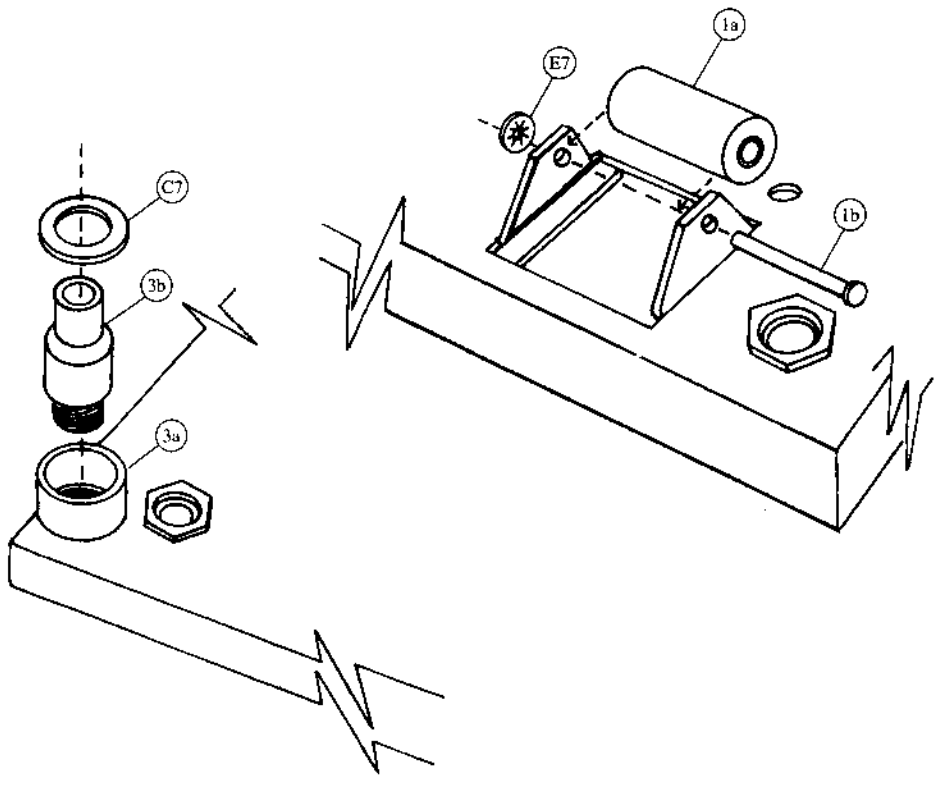
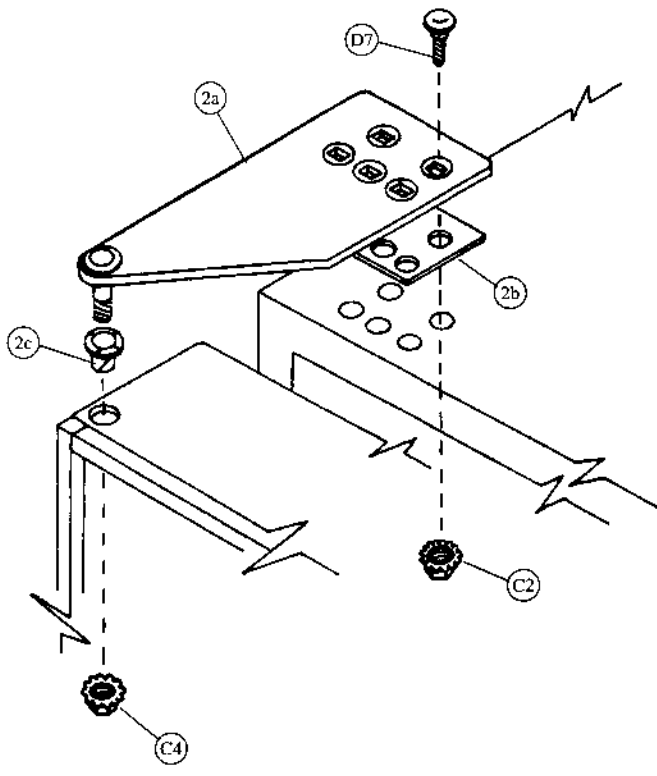


Cabinet & Vend Mechanism - Coke (Landscape)

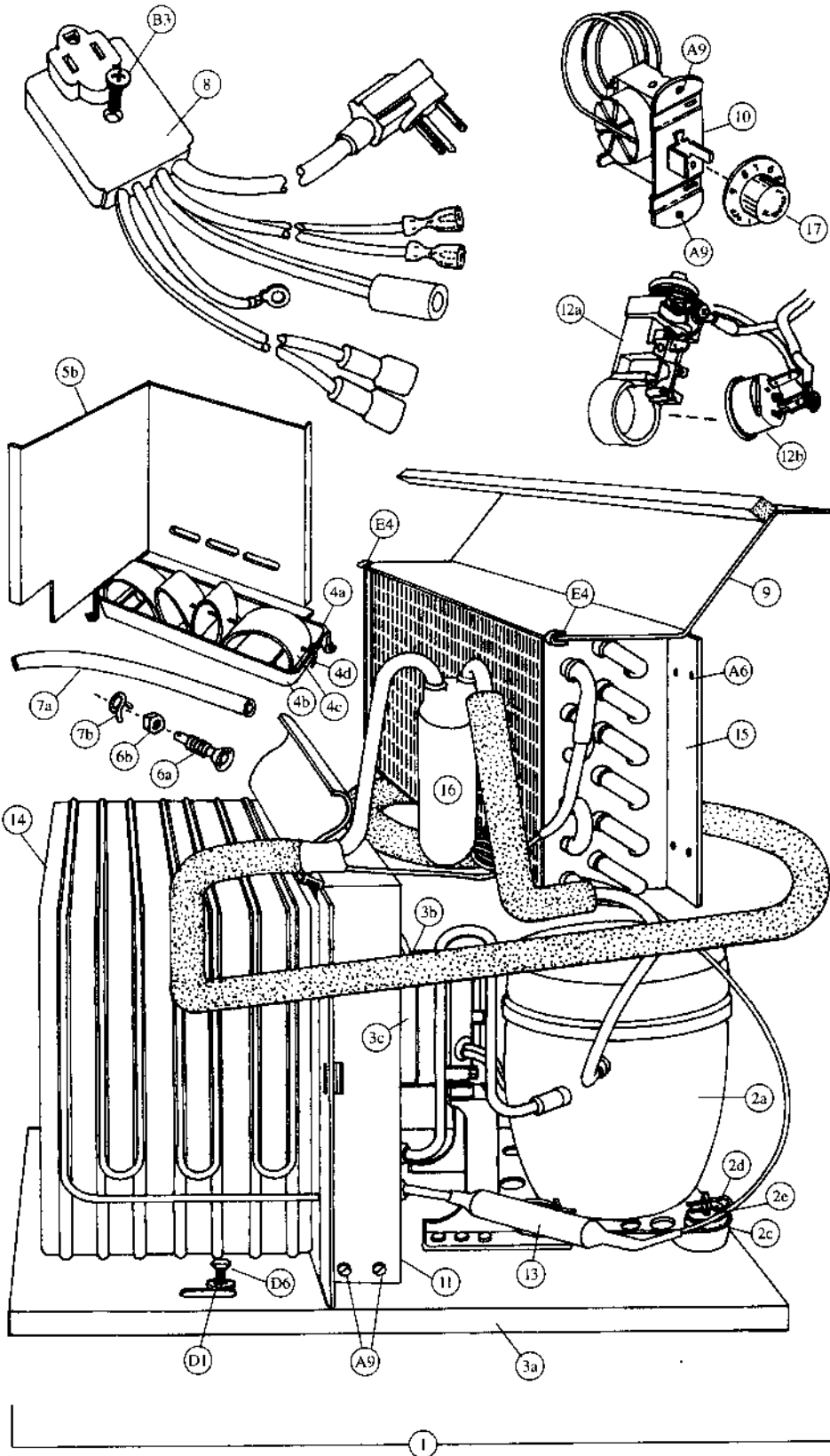
Item	Part Number	Part Name And Description
1	491,070,050.33	Vend Motor Cover, Wide
	491,071,200.23	Vend Motor Cover, Wide - IEC Standard
2a	See list below	Vend Motor Assembly, Wide
	491,070,300.03	Single Price
	491,170,100.03	Two/Four Price
2b	801,806,390.21	Vend Cam, Blue
2c	801,806,400.11	Adjustable Cam, Gold
3a	See list below	Vend Motor Assembly, Narrow
	491,070,400.03	Single Price
	491,170,200.03	Two/Four Price
3b	801,806,180.21	Vend Cam, Brown
3c	801,806,610.21	Adjustable Cam, Brown
4	See list below	Vend Motor Switch
	804,100,600.01	Single Price (Double Switch)
	804,100,690.01	Single Price - IEC Standard (Double Switch)
	804,100,700.01	Two/Four Price - IEC Standard (Triple Switch)
5	905,800,330.11	Vend Motor Switch Insulator
6	801,201,211.61	Vend Rotor - Narrow Column
7a	801,201,010.01	Vend Oscillator - Wide Column
7b	901,700,650.31	Can Retainer Oscillator
8a	801,803,170.21	Nyliner, Rear (not shown)
8b	901,804,230.01	Nyliner, Front - Wide Column only (not shown)
9	267,070,370.43	Wire Shield
10a	804,100,610.01	Sold Out Switch Assembly
	804,100,680.01	Sold Out Switch Assembly - IEC Standard
10b	432,070,190.13	Sold Out Paddle
10c	901,700,740.01	Sold Out Paddle Spring
11	491,020,070.33	Mechanism Support
12a	See list below	Evaporator Fan Motor Assembly
	491,000,200.03	115v
	491,140,400.03	220-240v
12b	See list below	Evaporator Fan Motor
	804,500,590.01	115v
	804,500,520.01	220-240v
12c	164,040,080.73	Evaporator Fan Motor Bracket
12d	801,303,270.11	Evaporator Fan Blade
12e	902,100,290.01	Silencer
13a	491,071,100.03	Can Chute Assembly (includes 13b & 13c)
13b	211,170,010.43	Can Chute
13c	211,070,020.43	Chute Liner (Kydex)
14a	903,300,770.01	Foam Block
14b	169,000,130.03	Hinge Pocket Cover
15	176,072,110.13	Journal

C1	900,901,510.02	Screw, Phil Pan Tapping
A3	900,301,830.01	Sems Screw #10 - 32 x 3/4 (8)
A6	900,600,230.02	Sheet Metal Screw, Type "A"
B8	900,301,690.01	Hex Tap Screw #8 - 32 x 3/8 (3)
A8	900,301,820.01	Vend Motor Screw #4 x 1 1/16 - Double Switch (16)
	900,301,610.01	Vend Motor Screw #4 x 1 1/2 - Triple Switch
A9	900,301,560.01	Sems Screw #8 - 32 x 3/8 (28)
E5	900,401,090.01	Grommet, Black Rubber #97 (3)
C5	900,800,850.01	Speed Nut
B1	900,301,850.01	Sems Screw #8 - 32 x 3/8

Hinges and Rollers - Coke (Landscape)



Refrigeration - Coke (Landscape)



Refrigeration System - Coke (Landscape)

Item	Part Number	Part Name And Description
1	Provide information listed	Complete Refrigeration System: Indicate unit model number from serial plate on unit base plate, refrigerant, voltage/hertz and country.
2a	Provide information listed	Compressor ¼ HP: Indicate compressor manufacturer, voltage/hertz, refrigerant and complete manufacturer's model number.
2b	See list below	Compressor Lead Harness (not shown)
	904,900,611.01	All, except IEC Standard
	804,905,320.01	220-240v/50hz, IEC Standard
2c	902,000,570.01	Compressor Mounting Grommet
2d	900,901,880.01	Compressor Mounting Retainer Clip
2e	901,803,910.01	Compressor Grommet Plug, Plastic
3a	491,040,040.43	Condenser Base Plate
3b	See list below	Condenser Fan Motor Assembly
	491,040,200.03	115v
	491,140,300.03	220-240v
3c	See list below	Condenser Fan Motor
	804,500,670.01	115v
	804,500,700.01	220-240v
3d	800,103,370.02	Fan Blade (not shown)
4a	491,000,100.03	Drain Pan Assembly
4b	801,303,670.01	Drain Pan
4c	901,900,020.21	Soaker (8 required)
4d	901,400,060.11	Soaker Rod
5a	491,040,050.53	Condenser Baffle, Right Side (not shown)
5b	491,040,060.63	Condenser Baffle, Rear
6a	801,806,050.11	Drain Tube
6b	900,301,790.01	Drain Tube Nut
7a	901,900,500.01	Drain Hose
7b	900,901,030.01	Drain Hose Clamp
8	See listing below	Main Wiring Harness
	804,902,220.01 (a)	United States
	804,905,480.01 (b)	Australia, IEC 335 (not shown)
	804,905,490.01 (c)	United Kingdom, IEC 335 (not shown)
	804,902,160.21 (d)	Europe (not shown)
	804,903,160.01 (e)	Mexico (not shown)
	804,905,450.01 (f)	Italy (not shown)
	804,905,470.01 (g)	Danish, IEC 335 (not shown)
804,905,360.01 (h)	Germany, with Splashwater Protector (not shown)	
9	211,040,030.13	Top Fan Housing
10	802,800,410.01	Temperature Control
11	491,040,110.33	Fan Shroud Condenser
12a	Provide information listed	Relay: Indicate compressor manufacturer, model # and voltage/hz
12b	Provide information listed	Overload: Indicate compressor manufacturer, model # and voltage/hz
13	802,401,240.01	Dryer
14	802,600,550.01	Condenser
15	802,600,370.51	Evaporator
16	802,400,460.01	Accumulator
17	802,800,420.01	Knob, Temperature Control
A6	900,600,230.02	Sheet Metal Screw, Type "A" (not shown) (2)
A9	900,301,560.01	Sems Screw #8 - 32 x ¾ (8)
B3	900,301,810.01	Screw, #10 - 32 x 1½
D1	900,700,360.01	Lockwasher, ¾" (2)
E4	900,901,890.01	Tinnerman Clip (2)
D6	900,400,440.01	Refrigeration Bolt ¾ - 16 x 1 (2)

Signs and Decals - Coke (Landscape)



①



④

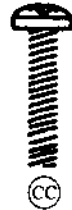
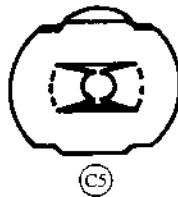
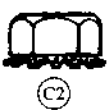
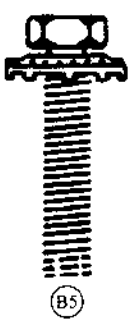
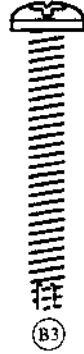


②

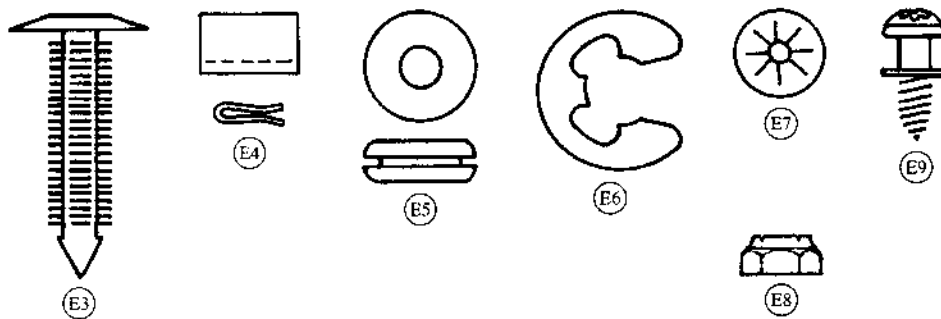
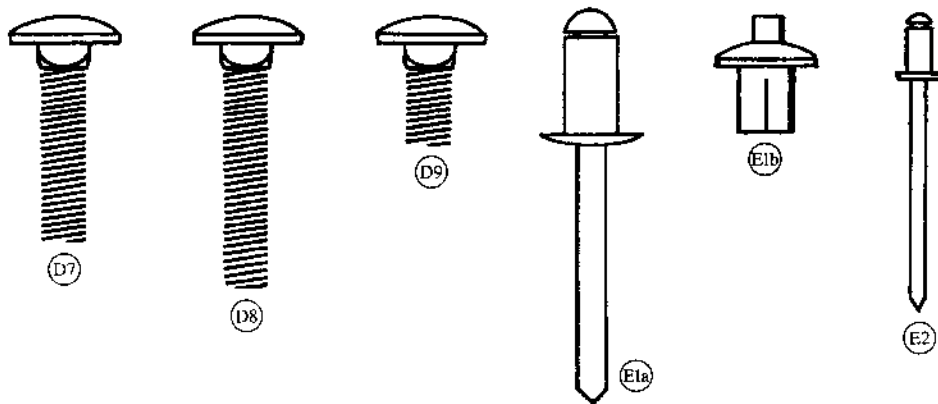
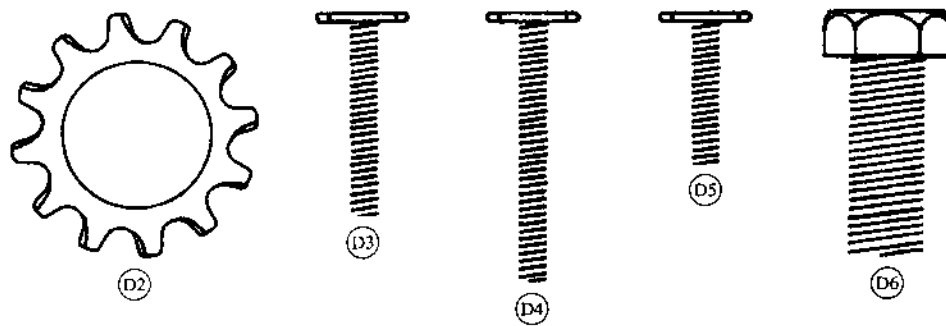
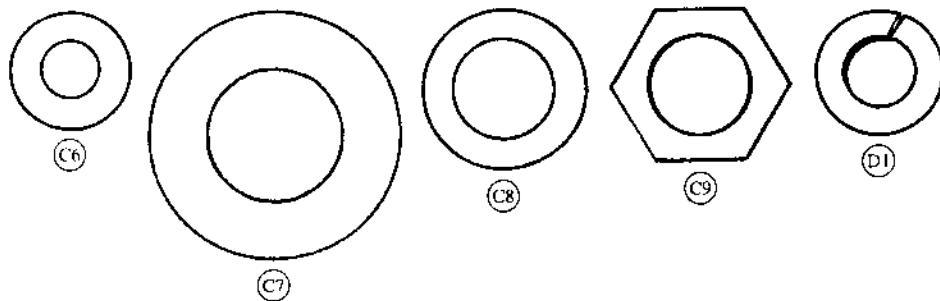


⑤

Screws & Nuts - Coke (Landscape)



Washers, Bolts & Misc. - Coke (Landscape)

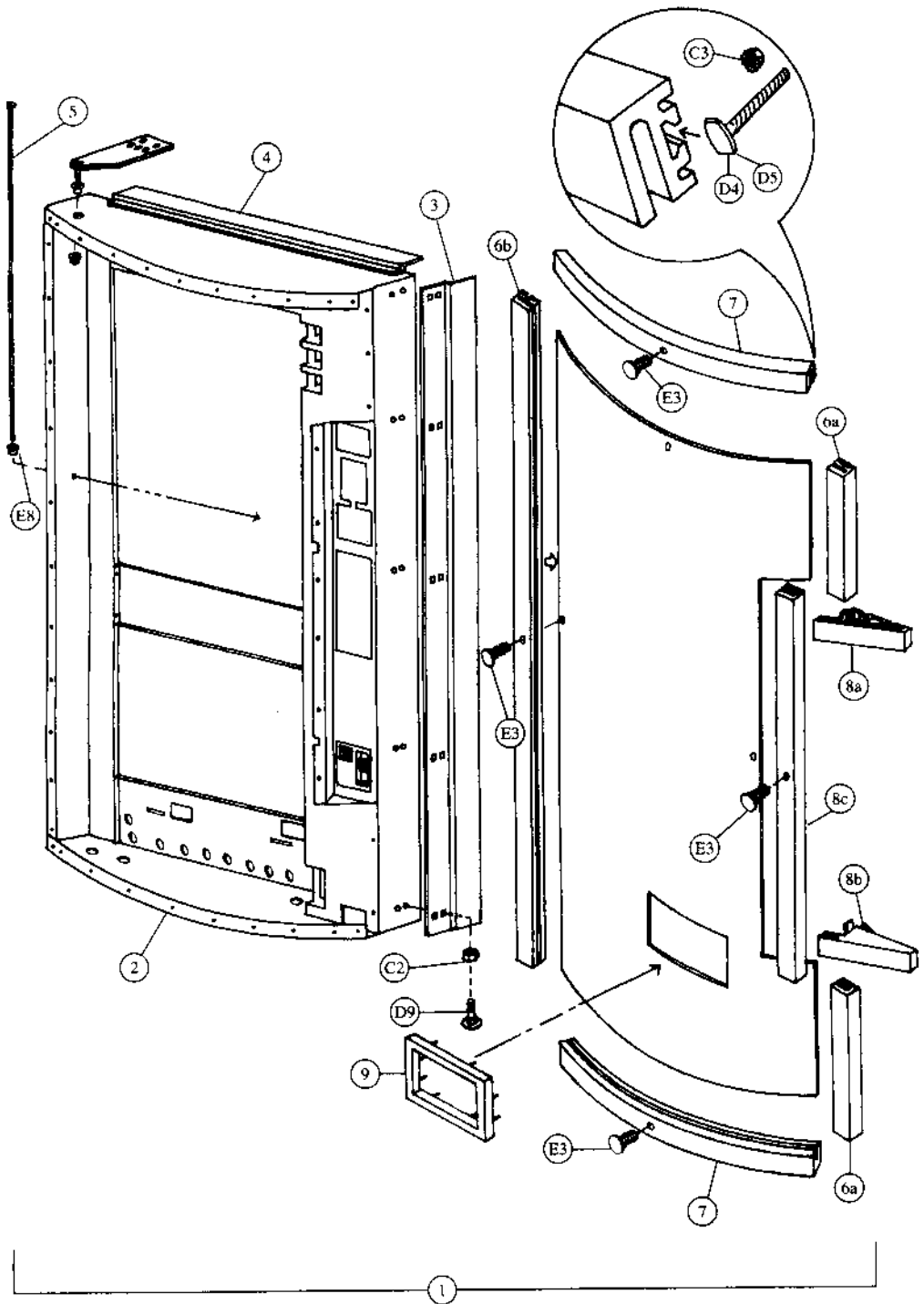




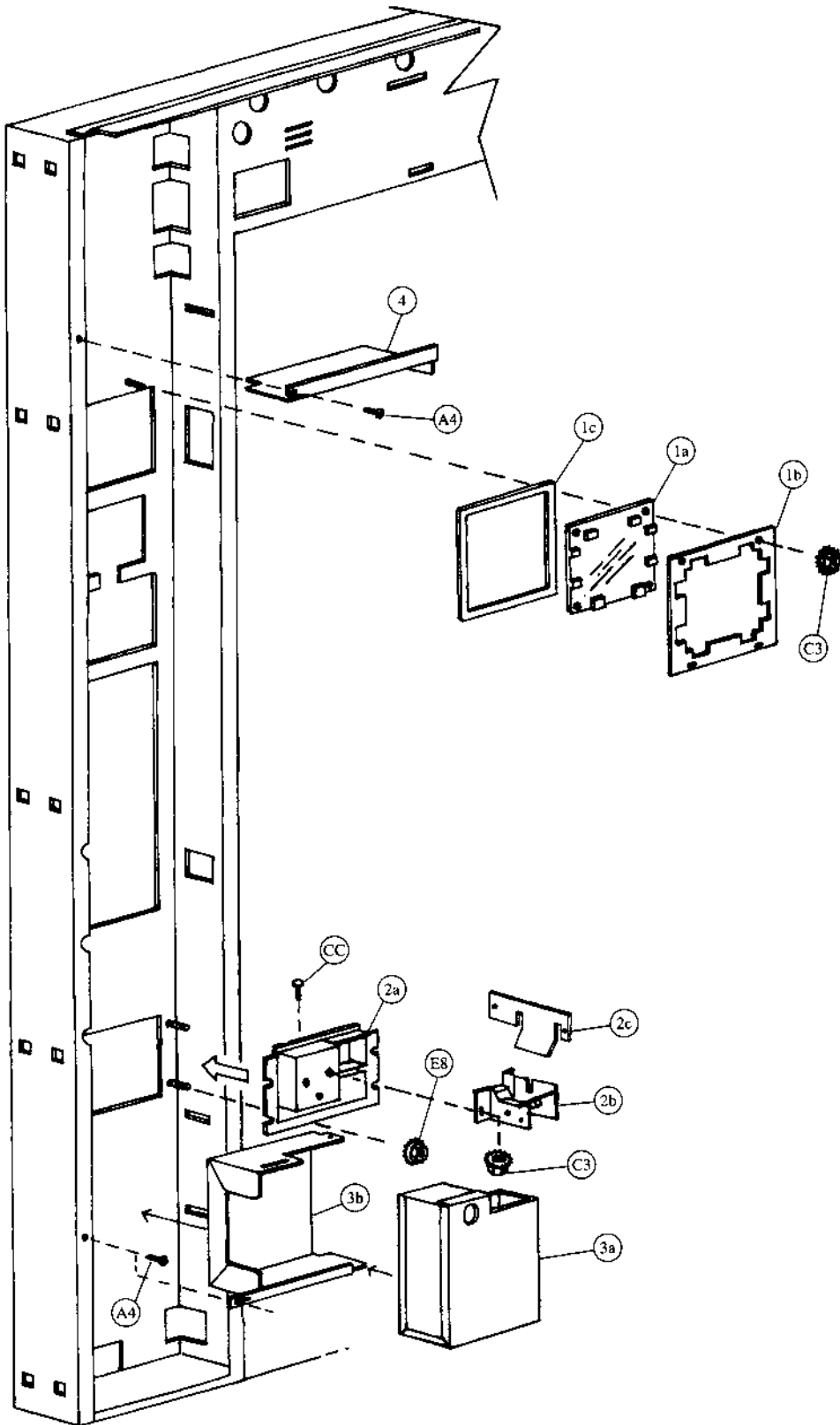
**Coke (Landscape)
DNCB 440CC, 432CC & 432WS**

Dimensions	79 1/2" H x 37 1/8" W x 30 1/2" D (2019mm H x 940mm W x 775mm D)	
Dimensions Less Door	79 1/2" H x 37 1/8" W x 27 1/2" D (2019mm H x 940mm W x 698mm D)	
Approximate Weight	730 lbs. (331kg)	
Selections/Columns	432/432WS	6/6
	440	7/8 or 8/8
Total 12 oz. (330ml) Cans Capacity/Vend	432/432WS	444/432
	440	448/432
Column Capacity 12 oz. (330ml) Cans	432/432WS	6 Double Columns - 74 Each
	440	4 Double Columns - 38 Each 4 Double Columns - 74 Each

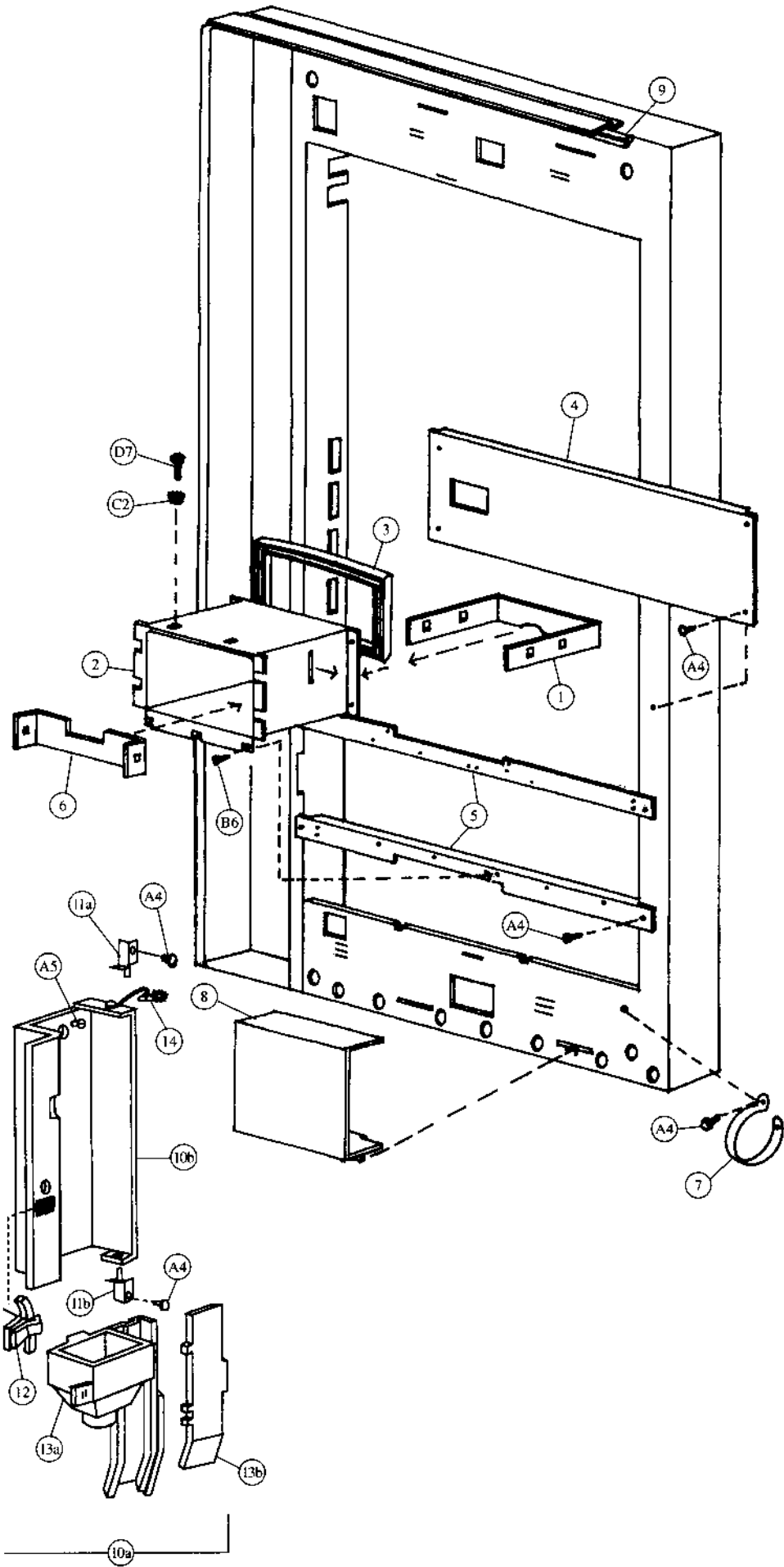
Main Door - Exterior - Coke (Landscape)



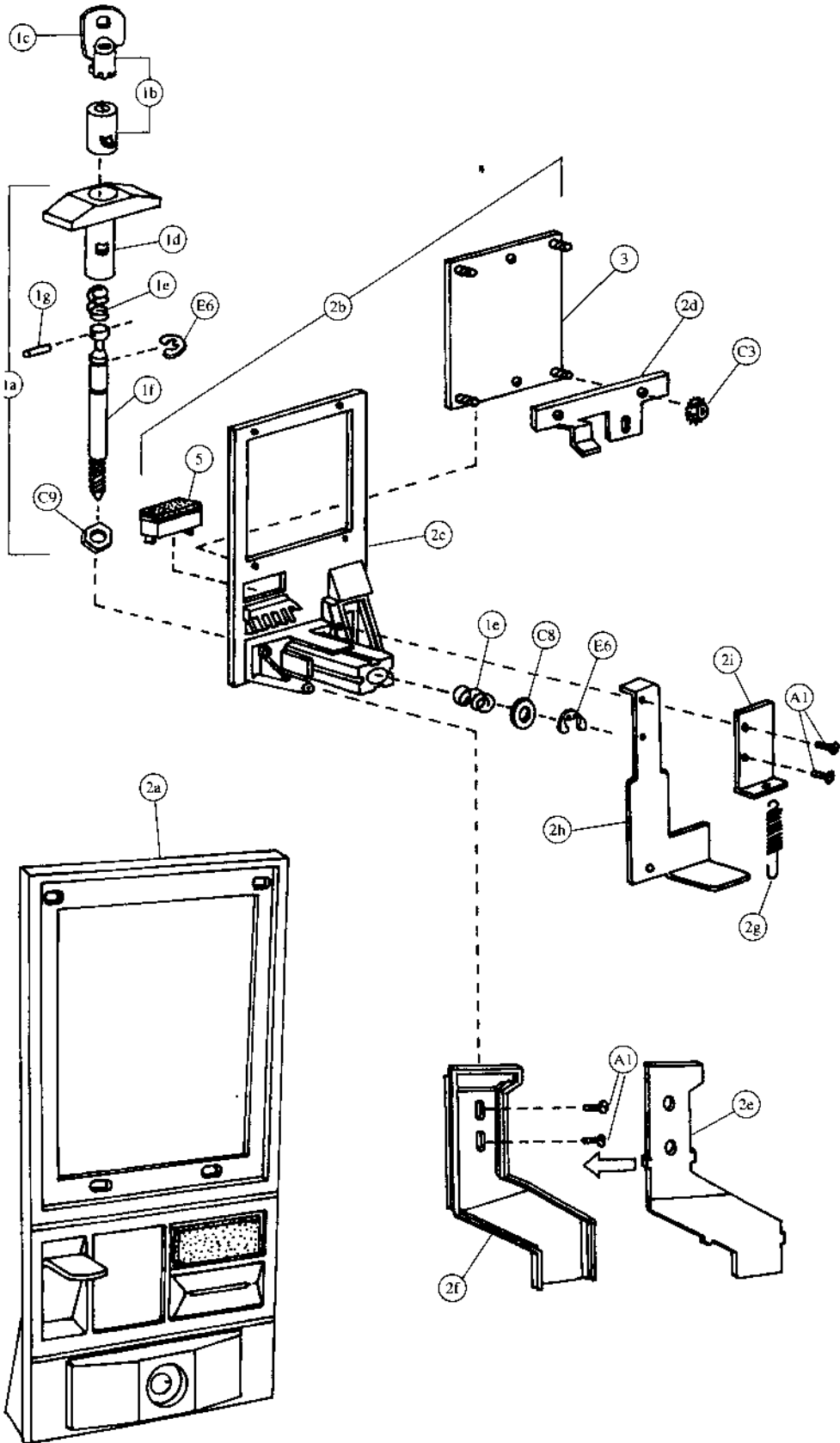
Main Door - Interior (A) - Coke (Landscape)



Main Door - Interior (B) - Coke (Landscape)



Pull-Out Handle & Coin Insert - Coke (Landscape)

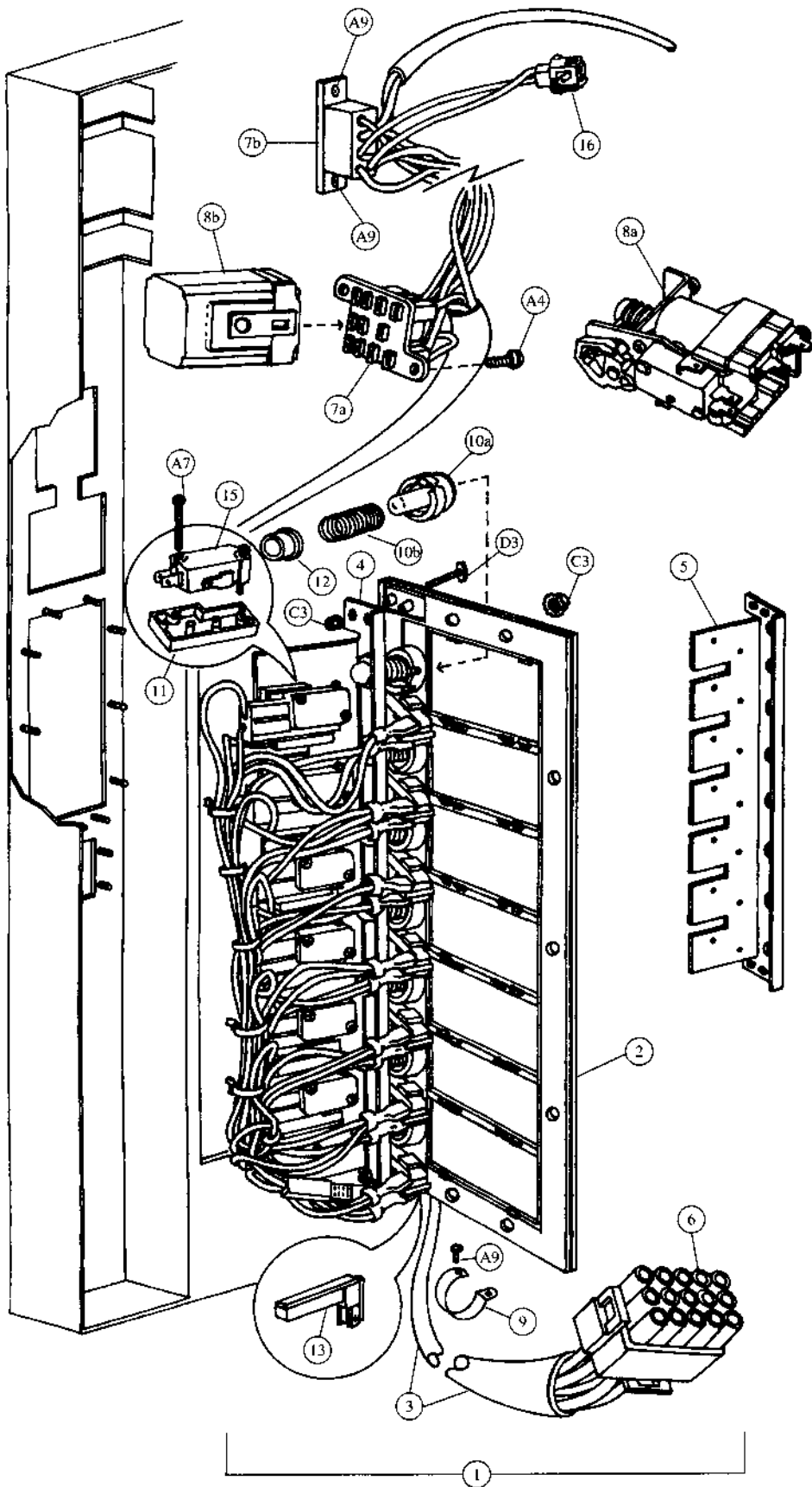


Pull-Out Handle & Coin Insert - Coke (Landscape)

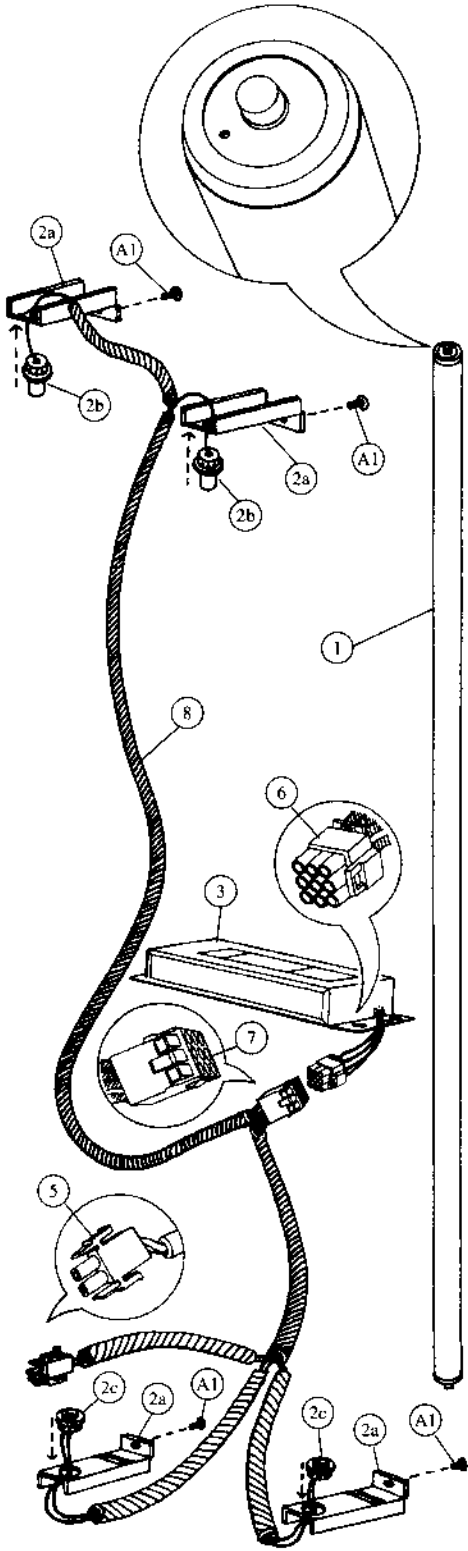
Item	Part Number	Part Name And Description
1a	801,503,040.01	T Handle Assembly
1b	Specify key number	Lock with Two Keys
1c	Specify key number	Key Only
1d	801,505,730.01	Handle Only
1e	901,503,050.01	Spring
1f	4255-6-44W	Stud
1g	901,503,090.11	Cross Pin
2a	See list below	Complete Coin Insert Kit with T Handle
	491,010,800.04	Domestic (USA and Canada)
	Not applicable	Export (All others except listed below)
	Not applicable	Mexico
	Not applicable	Argentina - Token
2b	See list below	Complete Coin Insert Kit without T Handle
	491,050,500.03	Domestic (USA and Canada)
	491,150,500.03	Export (All others except listed below)
	480,350,500.03	Mexico
	480,550,500.03	Argentina - Token
2c	See list below	Coin Insert Only
	801,201,160.41	Domestic (USA and Canada)
	801,201,170.21	Export (All others except listed below)
	801,201,280.11	Mexico
	801,201,270.21	Argentina - Token
2d	453,050,130.83	Coin Insert Retainer
2e	801,805,800.31	Coin Chute Cover
2f	801,805,790.61	Coin Chute
2g	901,700,630.11	Spring Extension
2h	453,050,800.03	Coin Return Plunger Assembly
2i	432,050,570.33	Plunger Bracket
3	432,050,210.23	Validator Plate
4	See list below	Instruction Label (not shown)
	803,822,940.01	English
	903,832,680.01	Irish
	803,825,760.01	Spanish
	803,825,410.01	French
	803,825,750.01	Italian
	803,825,740.01	German
5	See list below	Correct Change Lamp
	904,700,180.31	English "Use Correct Change"
	804,700,500.11	English, IEC Standard "Use Correct Change"
	804,700,440.31	Spanish "Importe Exacto"
	804,700,450.21	French "Faites L'Appoint"
	804,700,400.21	Italian "Usare Monete Contate"
	804,700,470.21	Turkish "Lutfen Para Atiniz"
	804,700,480.21	German "Abgezahltes Geld Verwendeb"
	904,700,490.21	Portuguese "Introduza Quantia Exacta"
6	801,806,080.11	Drip Chute (not shown)

E6	901,503,070.01	E Ring	(2)
C8	901,503,060.01	Flat Washer	
C9	901,503,080.01	Hex Washer	
A1	900,301,700.01	Sems Screw #6-32 x 3/8	(4)
C3	900,800,500.01	Keps Nut #8-32	(4)

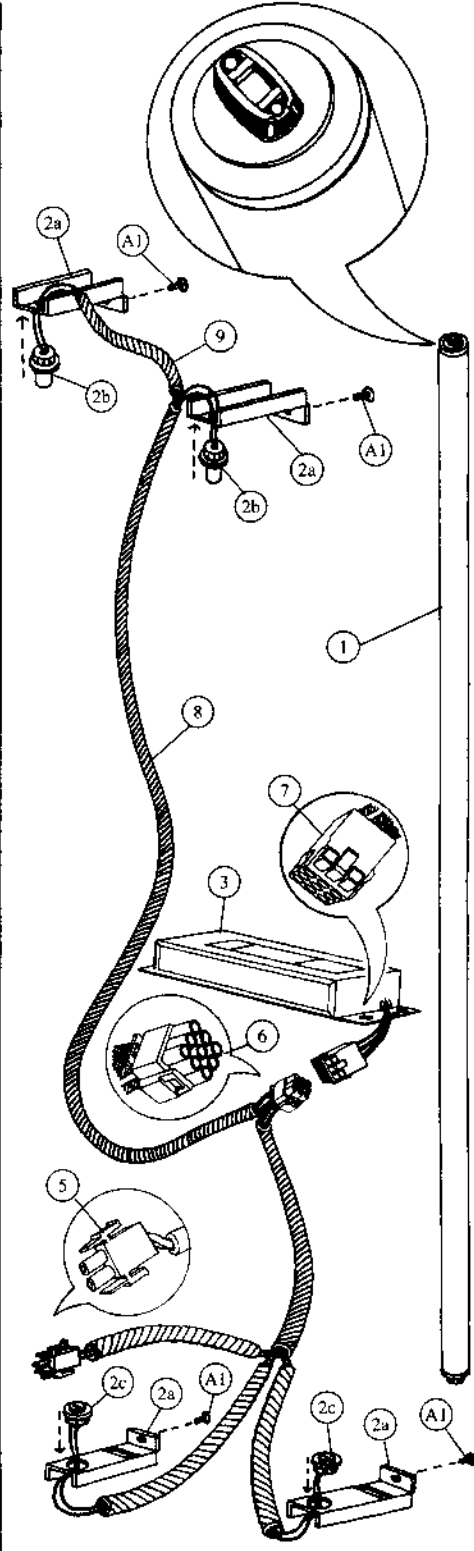
Select Panel - Coke (Landscape)



Lighting - Coke (Landscape)



Slimline



High-Output

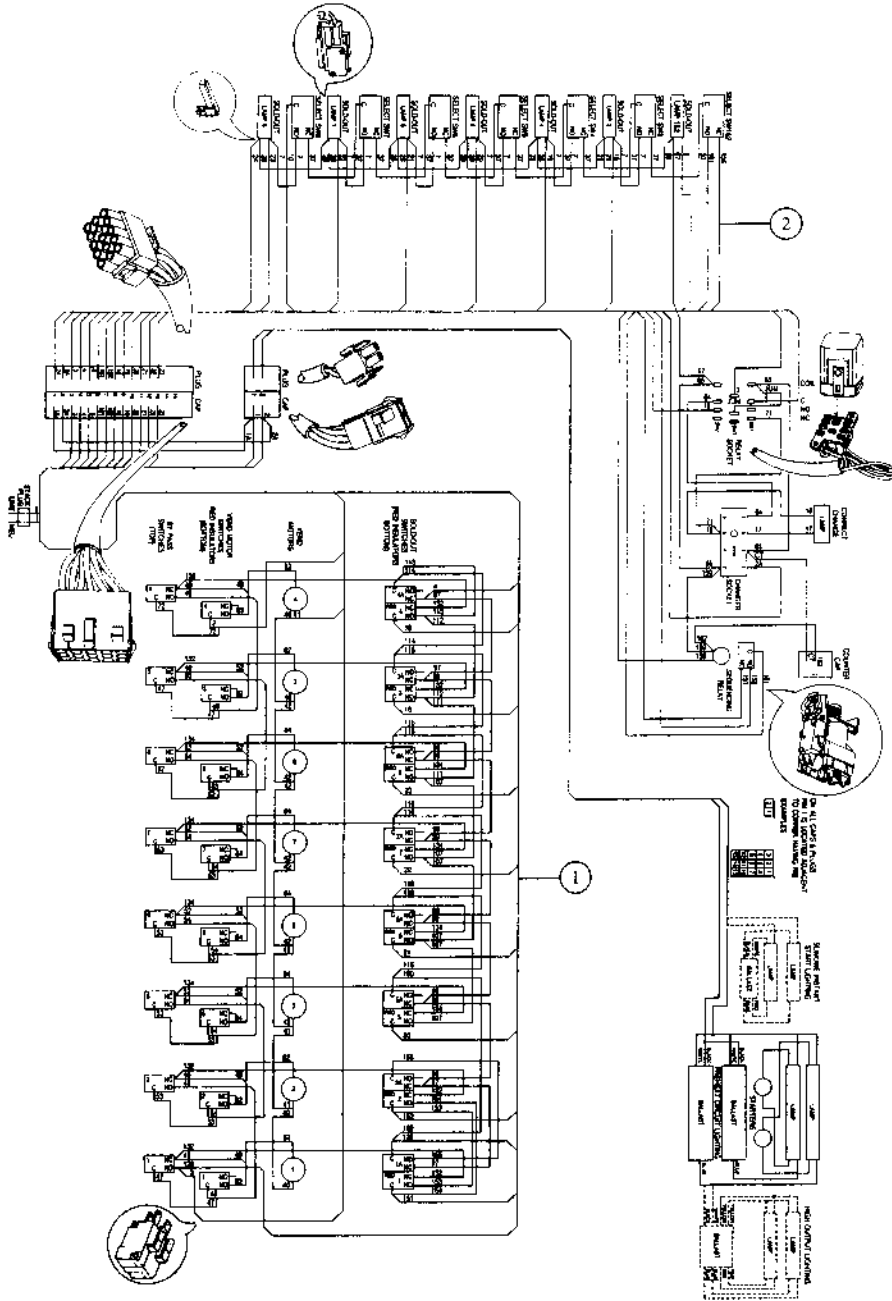
Lighting - Coke (Landscape)

Item	Part Number	Part Name And Description
High-Output Lighting		
1	804,700,360.01	Fluorescent Bulb - F72T12/D/HO
2a	432,050,380.63	Door Bracket Lamp Socket
2b	804,901,990.01	Top Lamp Holders - 523
2c	804,902,000.01	Bottom Lamp Holders - 524
3	804,400,380.01	Plug-In Ballast, Advance #VSM/HO
4	904,800,520.01	Connector, Electrical (not shown) (scotchlock 557)
5	904,600,710.01	2-Way Plug
6	904,600,670.01	9-Way Plug
7	904,600,660.01	9-Way Cap
8	804,904,510.21	Plug-In Ballast Harness, High Output
9	804,904,920.11	Lamp Fixture Jumper, High Output

Slimline Lighting		
1	804,700,310.01	Fluorescent Bulb - F72T12/DAYLT
2a	432,050,380.63	Door Bracket Lamp Socket
2b	804,902,020.01	Top Lamp Holders - 516
2c	804,902,030.01	Bottom Lamp Holders - 517
3	804,400,370.01	Plug-In Ballast - Advance Slimline
4	904,800,520.01	Connector, Electrical (not shown) (scotchlock 557)
5	904,600,710.01	2-Way Plug
6	904,600,670.01	9-Way Plug
7	904,600,660.01	9-Way Cap
8	804,904,600.61	Plug-In Ballast Harness, Slimline

A1	900,301,700.01	Sheet Metal Screw #6 - 32 x 3/8 (4)
----	----------------	-------------------------------------

Wiring Harness - Coke (Landscape)

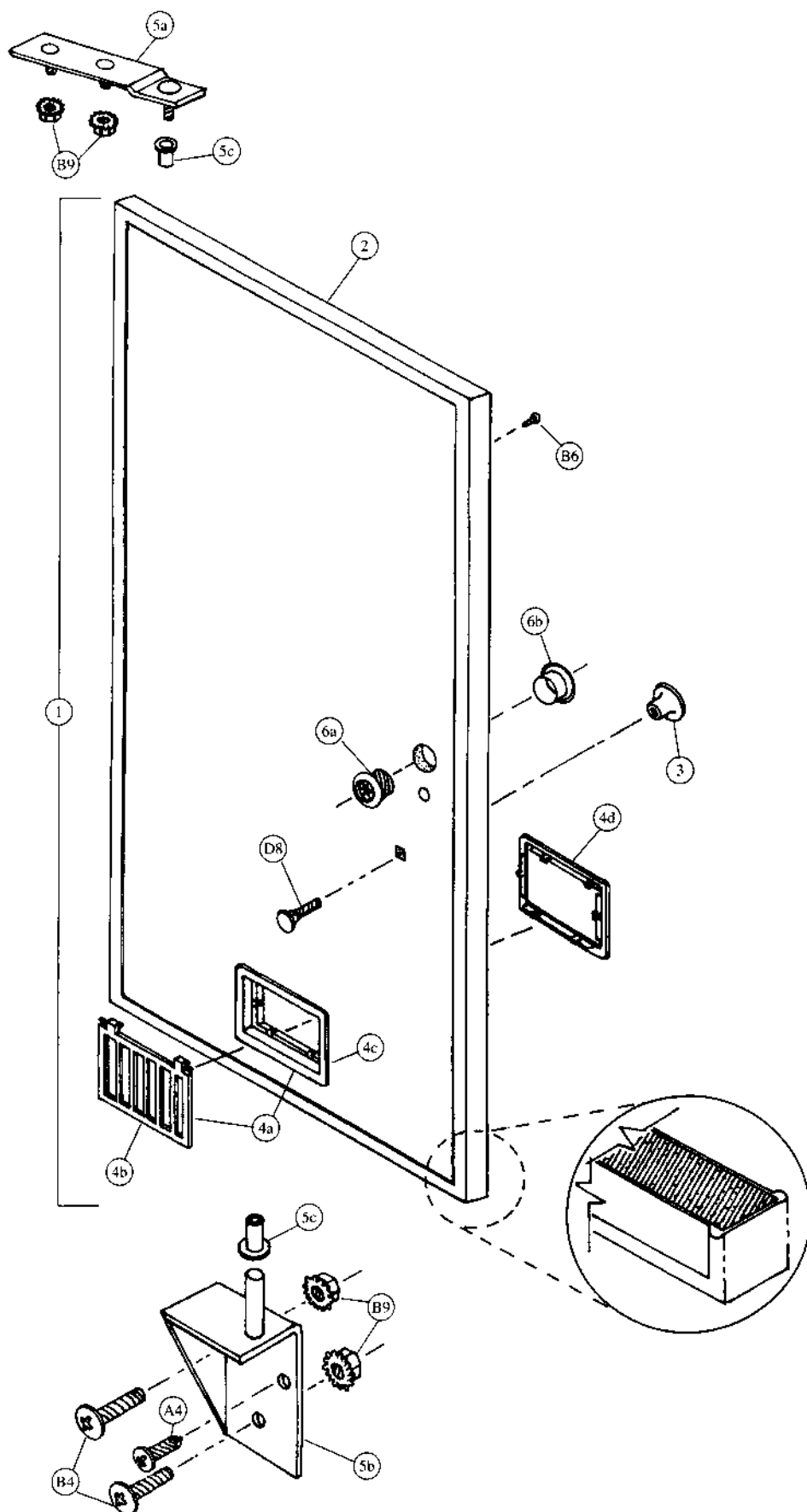


Sample Diagram
8 Column Dual Adaptable, Sequencing 1 & 2, Single Price

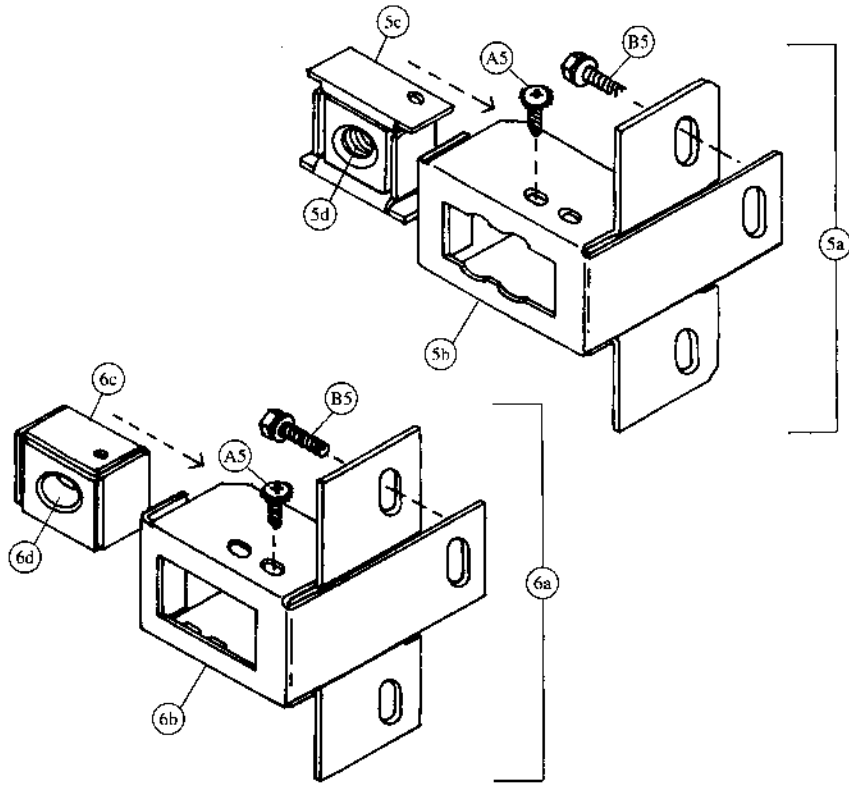
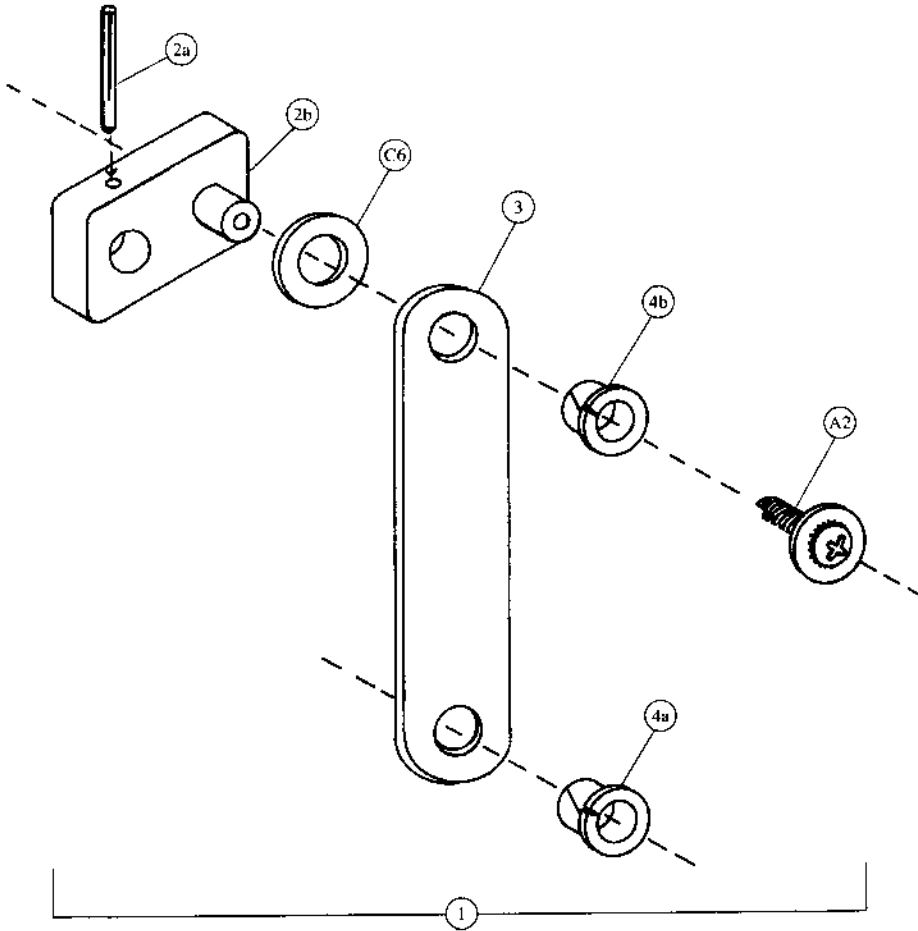
Wiring Harness - Coke (Landscape)

Item	Part Number	Part Name And Description
1a	See list below	440 (7 Select) Cabinet Harness
	804,902,350.61	Single Price
	804,903,580.01	Single Price - IEC Standard
	804,904,220.11	Two/Four Price
	804,904,310.01	Two/Four Price - IEC Standard
1b	See list below	440 (8 Select) Cabinet Harness
	804,902,360.51	Single Price
	804,903,590.01	Single Price - IEC Standard
	804,904,190.21	Two/Four Price
	804,904,290.01	Two/Four Price - IEC Standard
1c	See list below	432/432WS (8 Select) Cabinet Harness
	804,906,090.01	Single Price
	804,906,130.01	Single Price - IEC Standard
	804,906,110.01	Two/Four Price
	804,906,140.01	Two/Four Price - IEC Standard
2a	See list below	440 (7 Select) Door Harness
	804,903,670.41	Single Price & Single Price - IEC Standard
	804,903,950.21	Two Price & Two Price - IEC Standard
	804,904,110.41	Four Price & Four Price - IEC Standard
2b	See list below	440 (8 Select) Door Harness
	804,903,680.01	Single Price & Single Price - IEC Standard
	804,903,960.41	Two Price & Two Price - IEC Standard
	804,904,130.41	Four Price & Four Price - IEC Standard
2c	See list below	432/432WS (8 Select) Door Harness
	804,903,740.21	Single Price & Single Price - IEC Standard
	804,903,940.41	Two Price & Two Price - IEC Standard
	804,904,070.41	Four Price & Four Price - IEC Standard

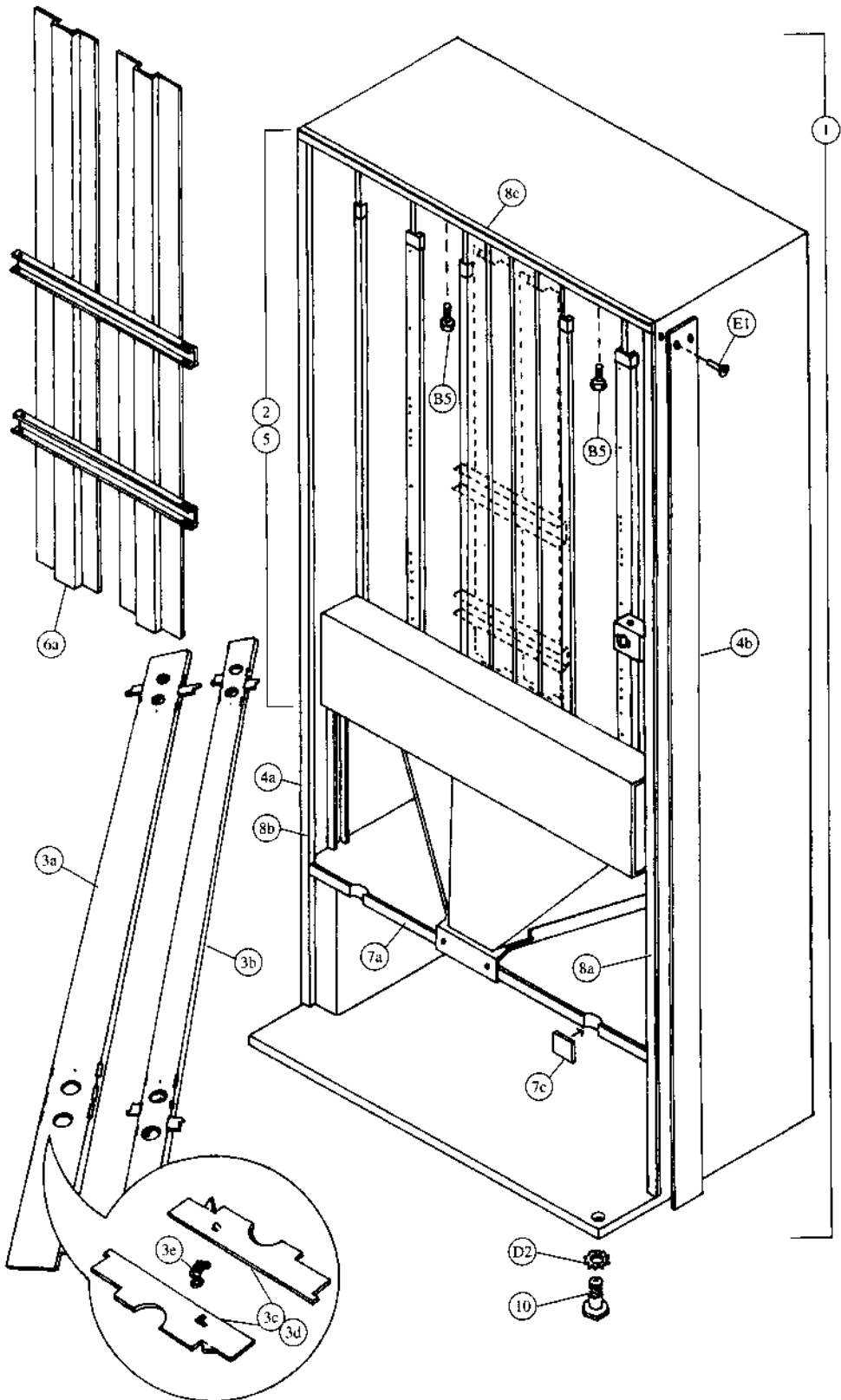
Inner Door - Coke (Landscape)



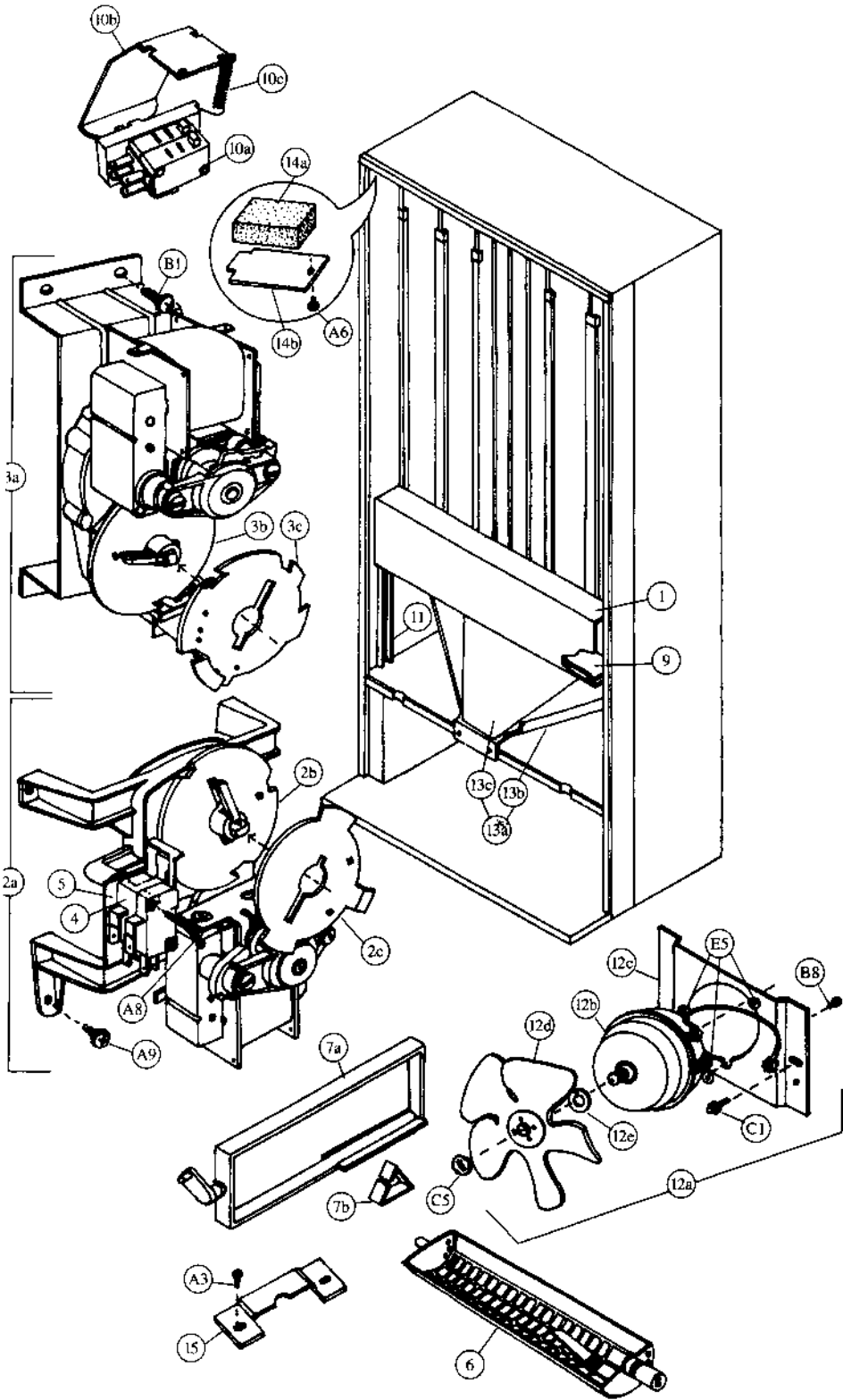
Two-Bar Linkage & Nut Retainer Housing - Coke (Landscape)



Cabinet Interior - Coke (Landscape)



Cabinet & Vend Mechanism - Coke (Landscape)

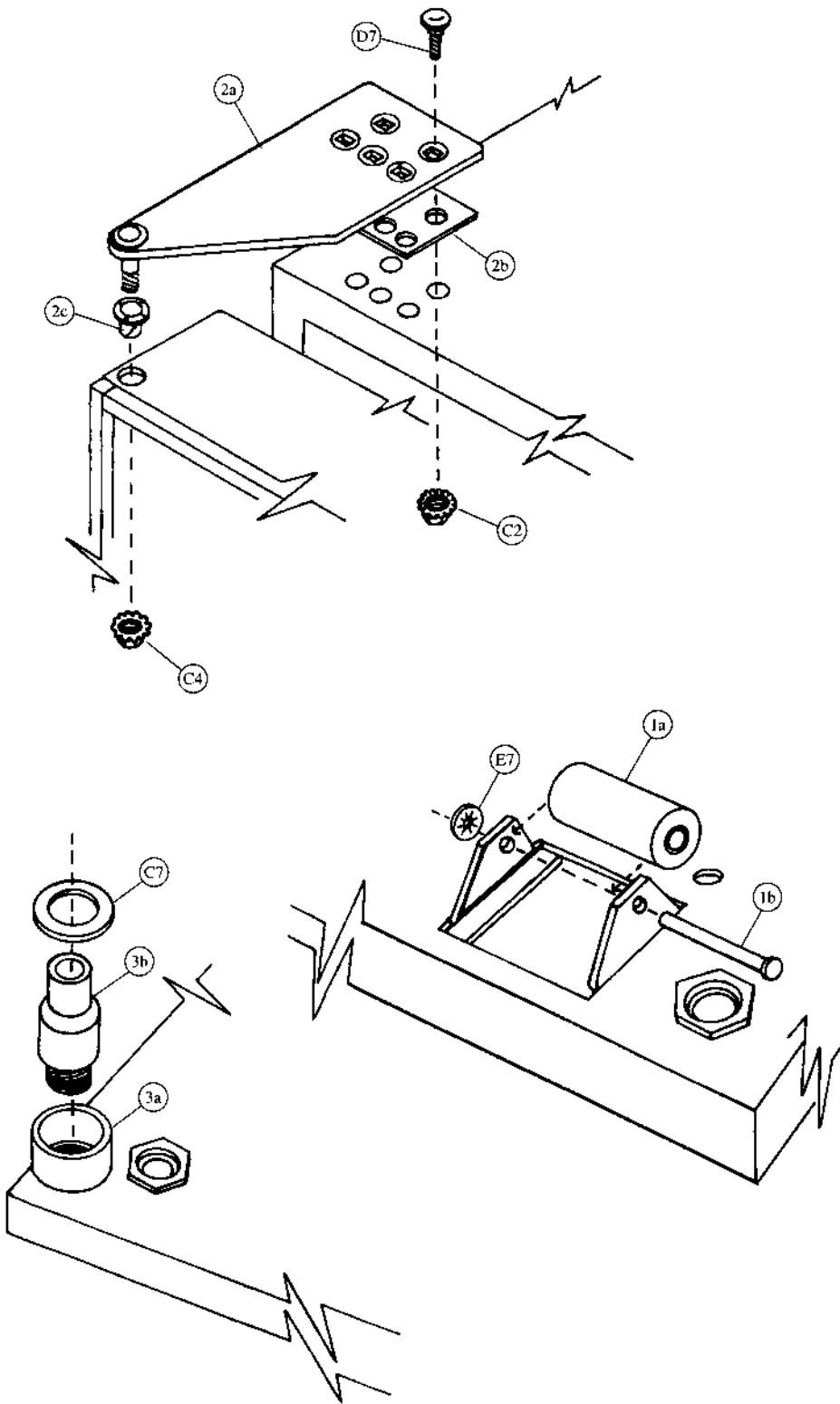


Cabinet & Vend Mechanism - Coke (Landscape)

Item	Part Number	Part Name And Description
1	491,070,050.33	Vend Motor Cover, Wide
	491,071,200.23	Vend Motor Cover, Wide - IEC Standard
2a	See list below	Vend Motor Assembly, Wide
	491,070,300.03	Single Price
	491,170,100.03	Two/Four Price
2b	801,806,390.21	Vend Cam, Blue
2c	801,806,400.11	Adjustable Cam, Gold
3a	See list below	Vend Motor Assembly, Narrow (440 only)
	491,070,400.03	Single Price
	491,170,200.03	Two/Four Price
3b	801,806,180.21	Vend Cam, Brown (440 only)
3c	801,806,610.21	Adjustable Cam, Brown (440 only)
4	See list below	Vend Motor Switch
	804,100,600.01	Single Price (Double Switch)
	804,100,690.01	Single Price - IEC Standard (Double Switch)
	804,100,700.01	Two/Four Price - IEC Standard (Triple Switch)
5	905,800,330.11	Vend Motor Switch Insulator
6	801,201,211.61	Vend Rotor - Narrow Column (440 only)
7a	801,201,010.01	Vend Oscillator - Wide Column
7b	901,700,650.31	Can Retainer Oscillator
8a	801,803,170.21	Nyliner, Rear (not shown)
8b	901,804,230.01	Nyliner, Front - Wide Column only (not shown)
9	267,070,370.43	Wire Shield
10a	804,100,610.01	Sold Out Switch Assembly
	804,100,680.01	Sold Out Switch Assembly - IEC Standard
10b	432,070,190.13	Sold Out Paddle
10c	901,700,740.01	Sold Out Paddle Spring
11	491,020,070.33	Mechanism Support
12a	See list below	Evaporator Fan Motor Assembly
	491,000,200.03	115v
	491,140,400.03	220-240v
12b	See list below	Evaporator Fan Motor
	804,500,590.01	115v
	804,500,520.01	220-240v
12c	164,040,080.73	Evaporator Fan Motor Bracket
12d	801,303,270.11	Evaporator Fan Blade
12e	902,100,290.01	Silencer
13a	491,071,100.03	Can Chute Assembly (includes 13b & 13c)
13b	211,170,010.43	Can and Bottle Chute
13c	211,070,020.43	Chute Liner (Kydex)
14a	903,300,770.01	Foam Block
14b	169,000,130.03	Hinge Pocket Cover
15	176,072,110.13	Journal

C1	900,901,510.02	Screw, Phil Pan Tapping
A3	900,301,830.01	Sems Screw #10 - 32 x 3/8 (8)
A6	900,600,230.02	Sheet Metal Screw, Type "A"
B8	900,301,690.01	Hex Tap Screw #8 - 32 x 3/8 (3)
A8	900,301,820.01	Vend Motor Screw #4 x 1 1/8 - Double Switch (16)
	900,301,610.01	Vend Motor Screw #4 x 1 1/2 - Triple Switch
A9	900,301,560.01	Sems Screw #8 - 32 x 3/8 (28)
E5	900,401,090.01	Grommet, Black Rubber #97 (3)
C5	900,800,850.01	Speed Nut
B1	900,301,850.01	Sems Screw #8 - 32 x 3/8

Hinges and Rollers - Coke (Landscape)



Refrigeration System - Coke (Landscape)

Item	Part Number	Part Name And Description
1	Provide information listed	Complete Refrigeration System: Indicate unit model number from serial plate on unit base plate, refrigerant, voltage/hertz and country.
2a	Provide information listed	Compressor 1/2 HP: Indicate compressor manufacturer, voltage/hertz, refrigerant and complete manufacturer's model number.
2b	See list below	Compressor Lead Harness (not shown)
	904,900,611.01	All, except IEC Standard
	804,905,320.01	220-240v/50hz, IEC Standard
2c	902,000,570.01	Compressor Mounting Grommet
2d	900,901,880.01	Compressor Mounting Retainer Clip
2e	901,803,910.01	Compressor Grommet Plug, Plastic
3a	491,040,040.43	Condenser Base Plate
3b	See list below	Condenser Fan Motor Assembly
	491,040,200.03	115v
	491,140,300.03	220-240v
3c	See list below	Condenser Fan Motor
	804,500,670.01	115v
	804,500,700.01	220-240v
3d	800,103,370.02	Fan Blade (not shown)
4a	491,000,100.03	Drain Pan Assembly
4b	801,303,670.01	Drain Pan
4c	901,900,020.21	Soaker (8 required)
4d	901,400,060.11	Soaker Rod
5a	491,040,050.53	Condenser Baffle, Right Side (not shown)
5b	491,040,060.63	Condenser Baffle, Rear
6a	801,806,050.11	Drain Tube
6b	900,301,790.01	Drain Tube Nut
7a	901,900,500.01	Drain Hose
7b	900,901,030.01	Drain Hose Clamp
8	See listing below	Main Wiring Harness
	804,902,220.01 (a)	United States
	804,905,480.01 (b)	Australia, IEC 335 (not shown)
	804,905,490.01 (c)	United Kingdom, IEC 335 (not shown)
	804,902,160.21 (d)	Europe (not shown)
	804,903,160.01 (e)	Mexico (not shown)
	804,905,450.01 (f)	Italy (not shown)
	804,905,470.01 (g)	Danish, IEC 335 (not shown)
804,905,360.01 (h)	Germany, with Splashwater Protector (not shown)	
9	211,040,030.13	Top Fan Housing
10	802,800,410.01	Temperature Control
11	491,040,110.33	Fan Shroud Condenser
12a	Provide information listed	Relay: Indicate compressor manufacturer, model # and voltage/hz
12b	Provide information listed	Overload: Indicate compressor manufacturer, model # and voltage/hz
13	802,401,240.01	Dryer
14	802,600,550.01	Condenser
15	802,600,370.51	Evaporator
16	802,400,460.01	Accumulator
17	802,800,420.01	Knob, Temperature Control
A6	900,600,230.02	Sheet Metal Screw, Type "A" (not shown) (2)
A9	900,301,560.01	Sems Screw #8 - 32 x 3/4 (8)
B3	900,301,810.01	Screw, #10 - 32 x 1 1/2
D1	900,700,360.01	Lockwasher, 3/8" (2)
E4	900,901,890.01	Tinnerman Clip (2)
D6	900,400,440.01	Refrigeration Bolt 3/8 - 16 x 1 (2)

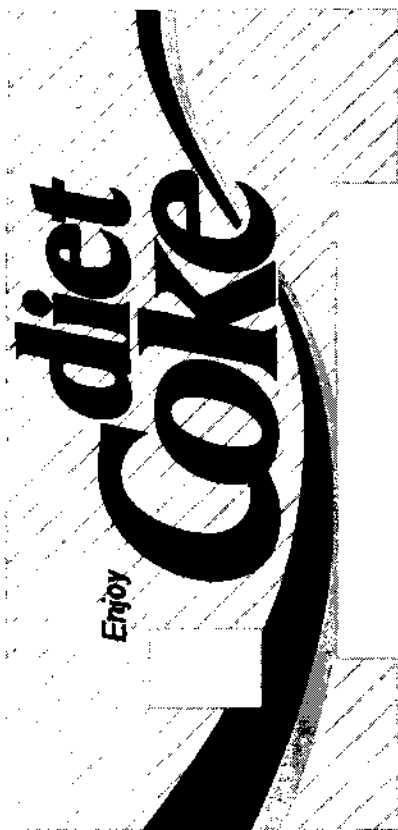
Signs and Decals - Coke (Landscape)



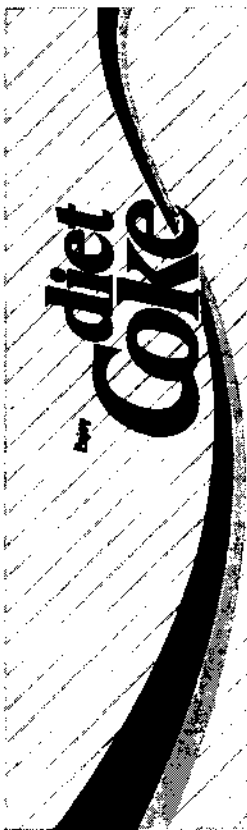
①



④

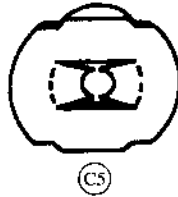
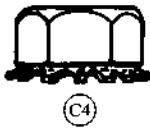


②

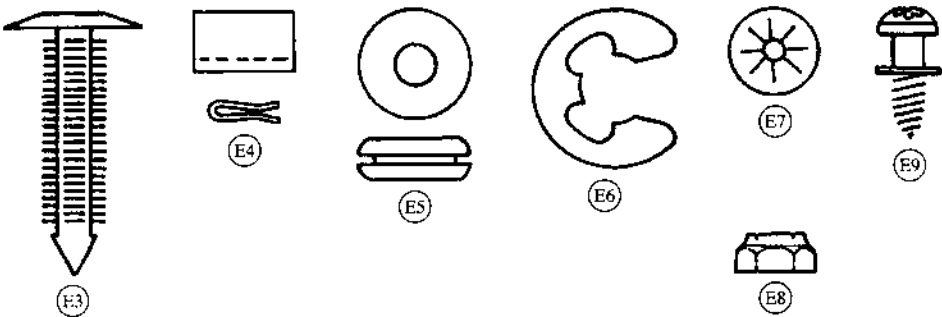
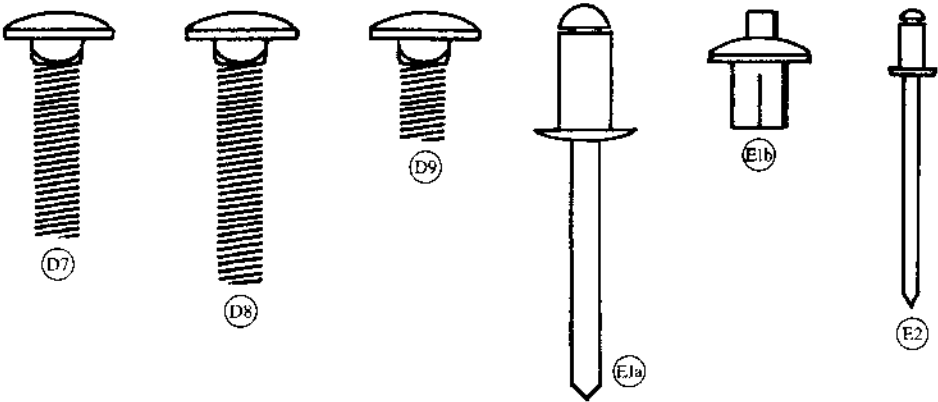
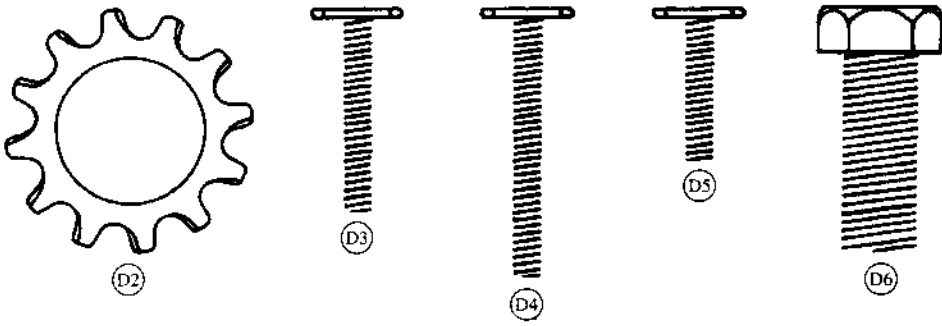
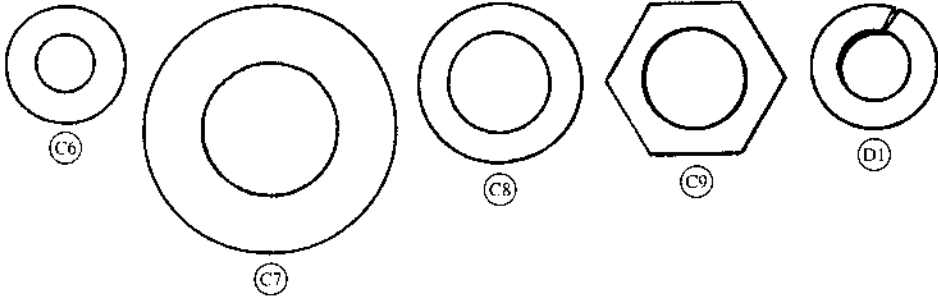


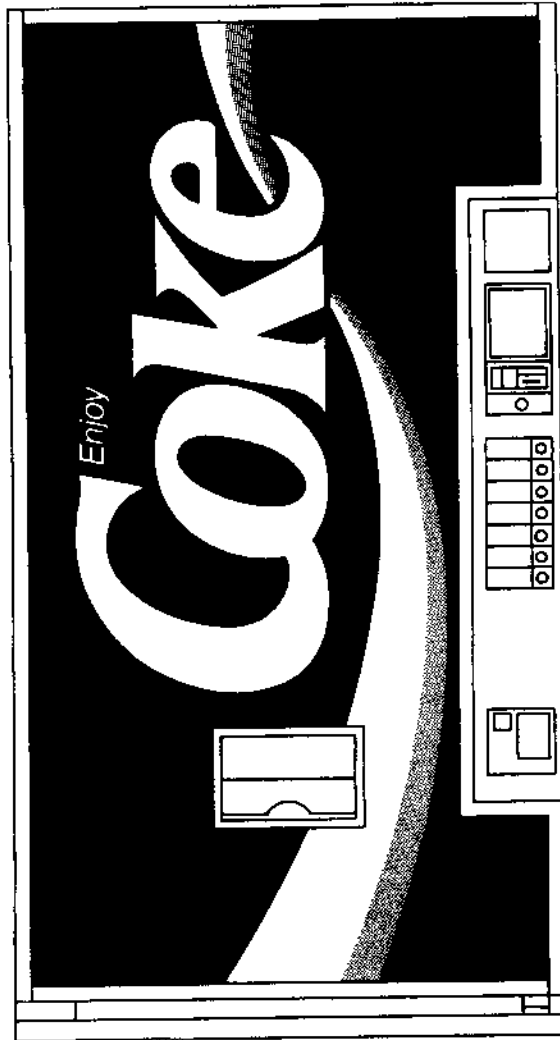
⑤

Screws & Nuts - Coke (Landscape)



Washers, Bolts & Misc. - Coke (Landscape)

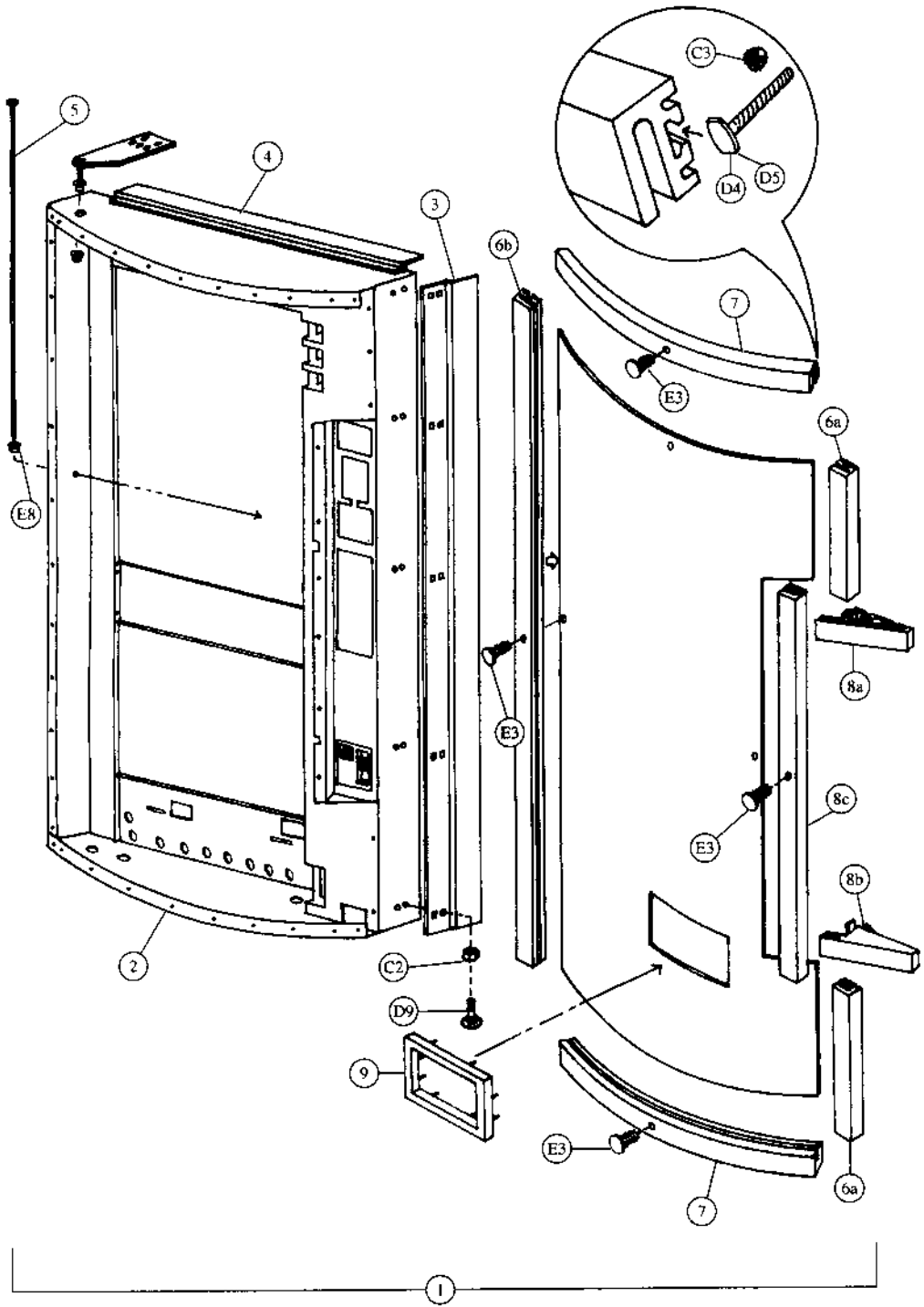




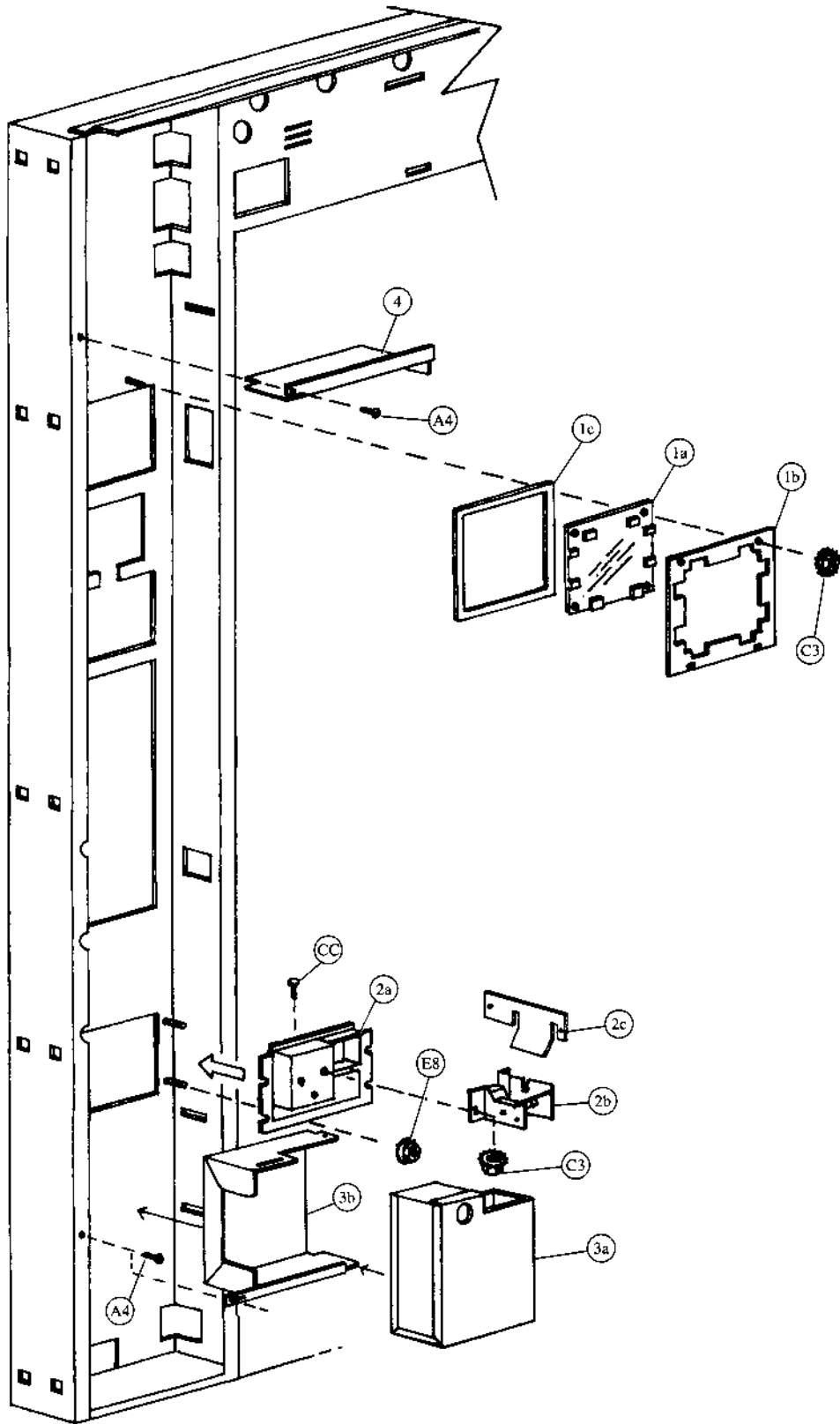
Coke (Landscape) DNCB 501CC & 522CC

Dimensions	72" H x 37 1/6" W x 32" D (1829mm H x 940mm W x 813mm D)	
Dimensions Less Door	72" H x 37 1/6" W x 29" D (1829mm H x 940mm W x 737mm D)	
Approximate Weight	758 lbs. (344kg)	
Selections/Columns	522	6/6
	501	7/8 or 8/8
Total 12 oz. (330ml) Cans Capacity/Vend	522	522/300
	501	501/477
Column Capacity 12 oz. (330ml) Cans	522	6 Double Columns - 87 Each
	501	5 Single Columns - 48 Each 3 Double Columns - 87 Each

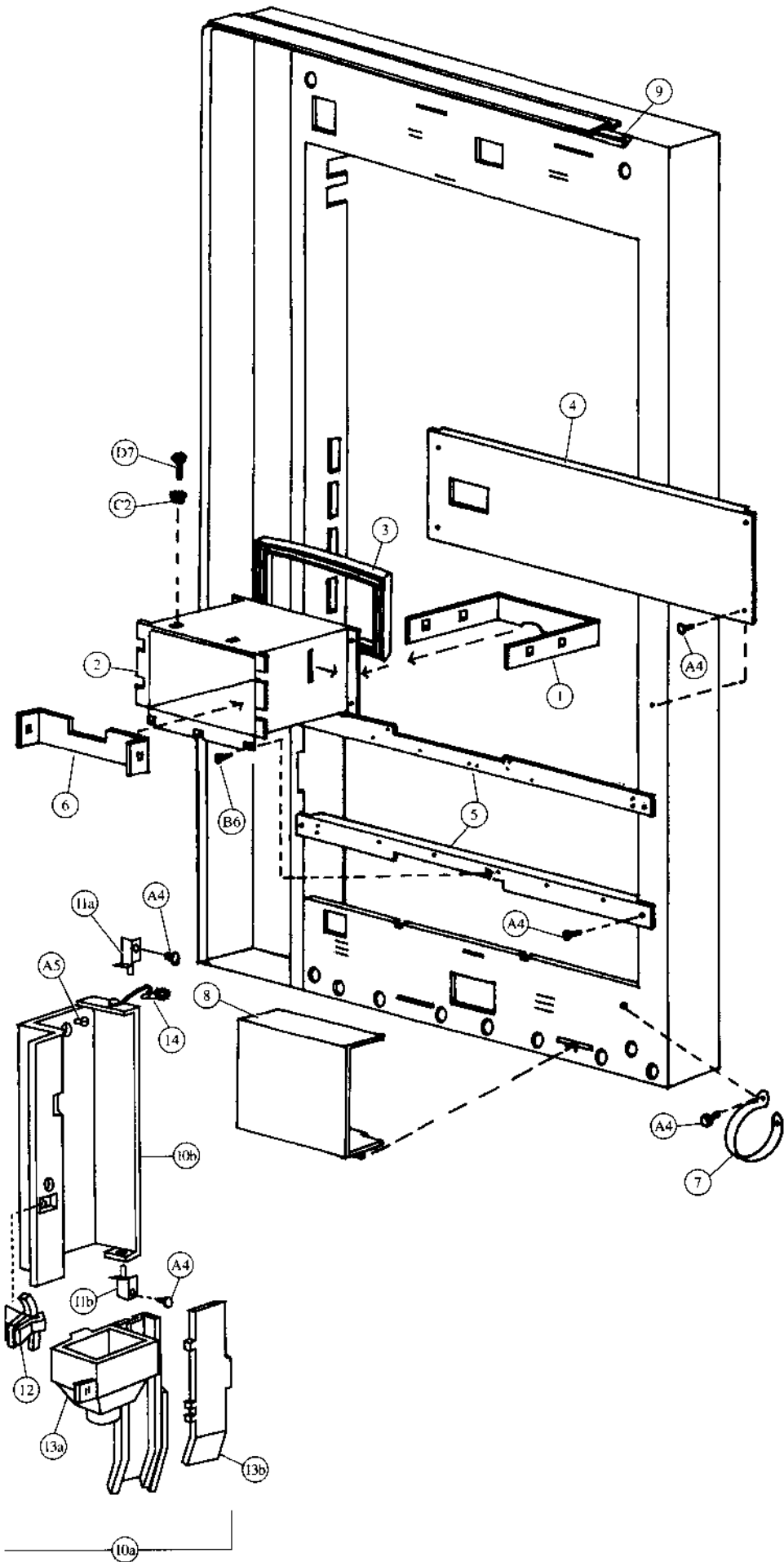
Main Door - Exterior - Coke (Landscape)



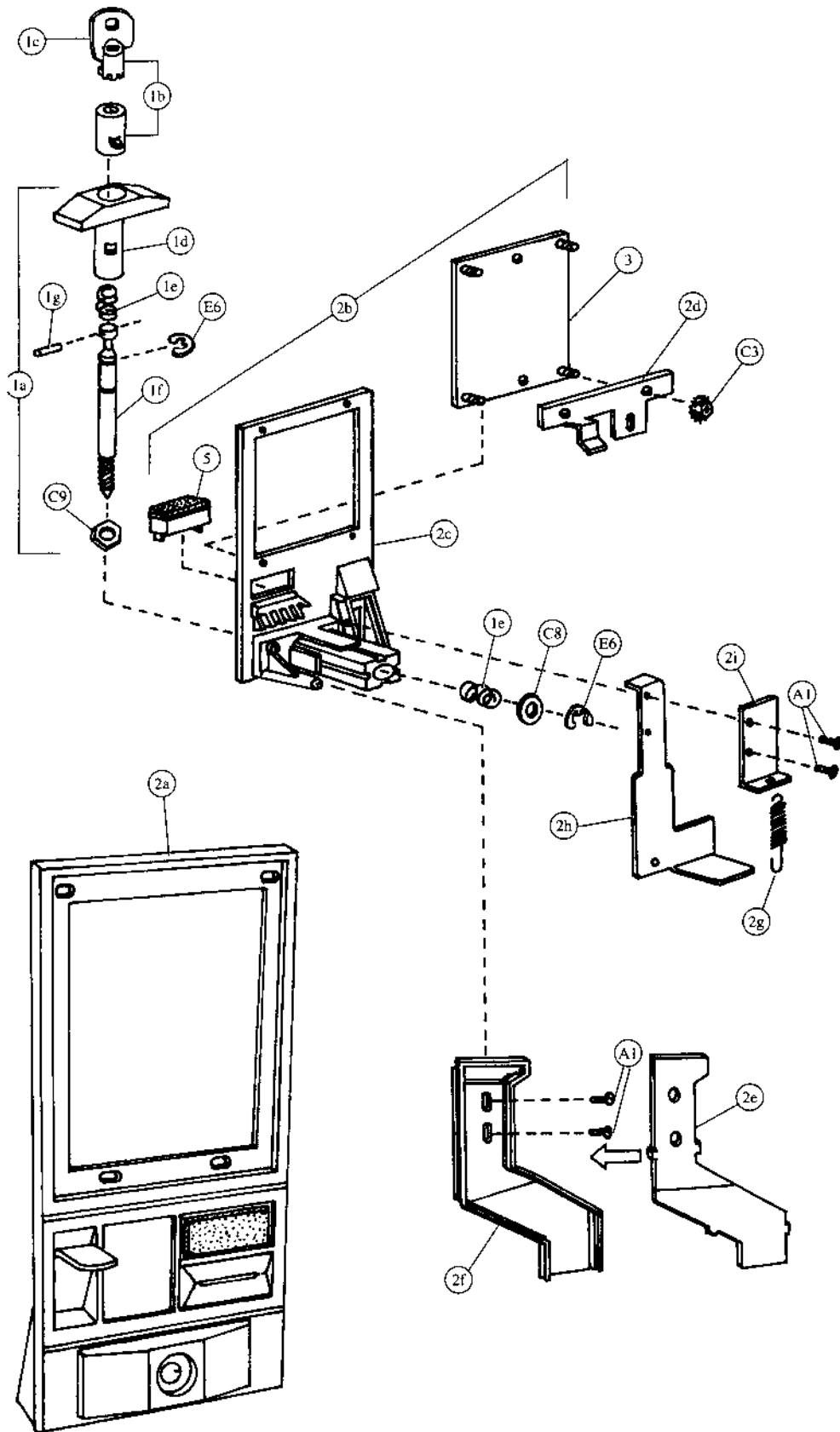
Main Door - Interior (A) - Coke (Landscape)



Main Door - Interior (B) - Coke (Landscape)



Pull-Out Handle & Coin Insert - Coke (Landscape)

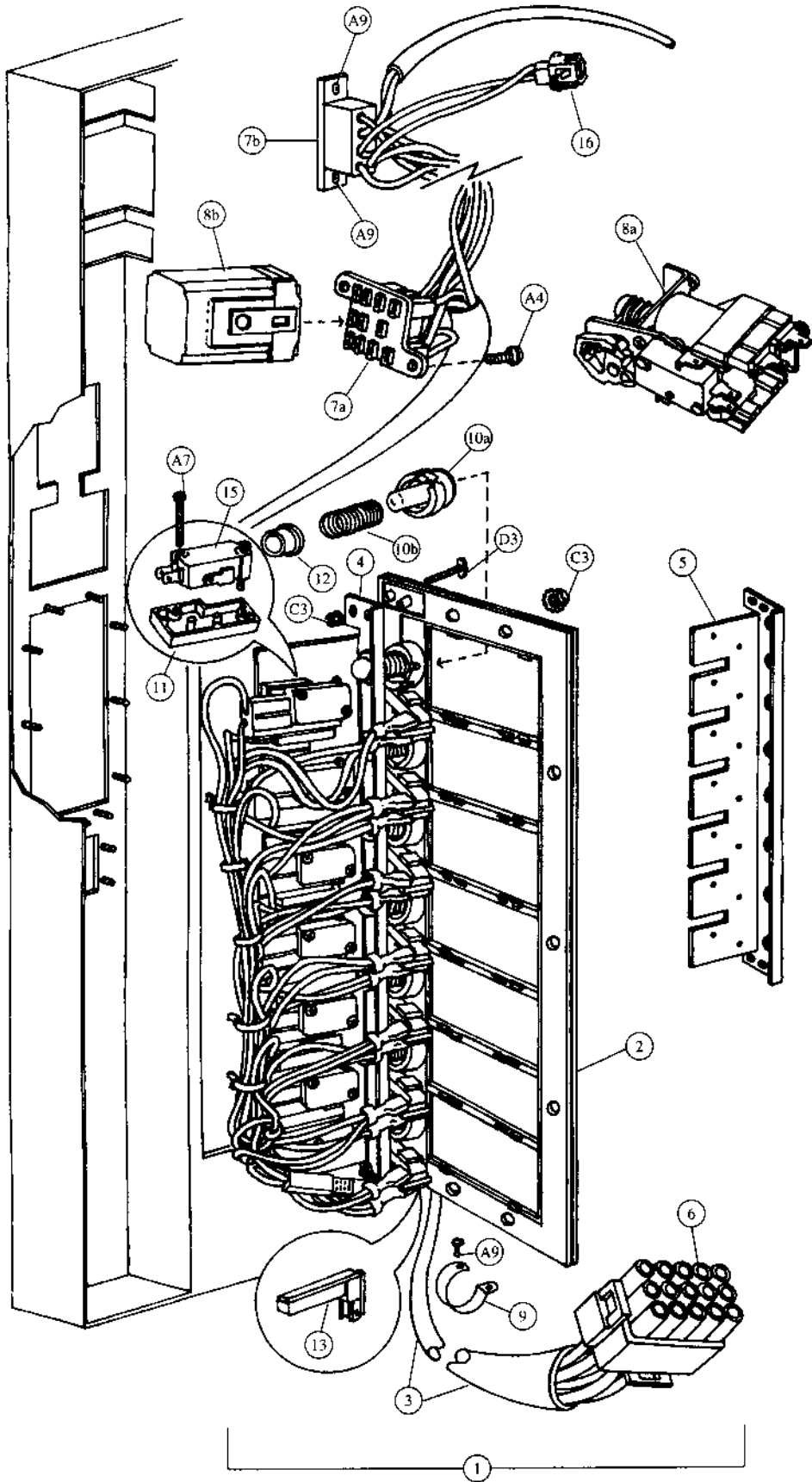


Pull-Out Handle & Coin Insert - Coke (Landscape)

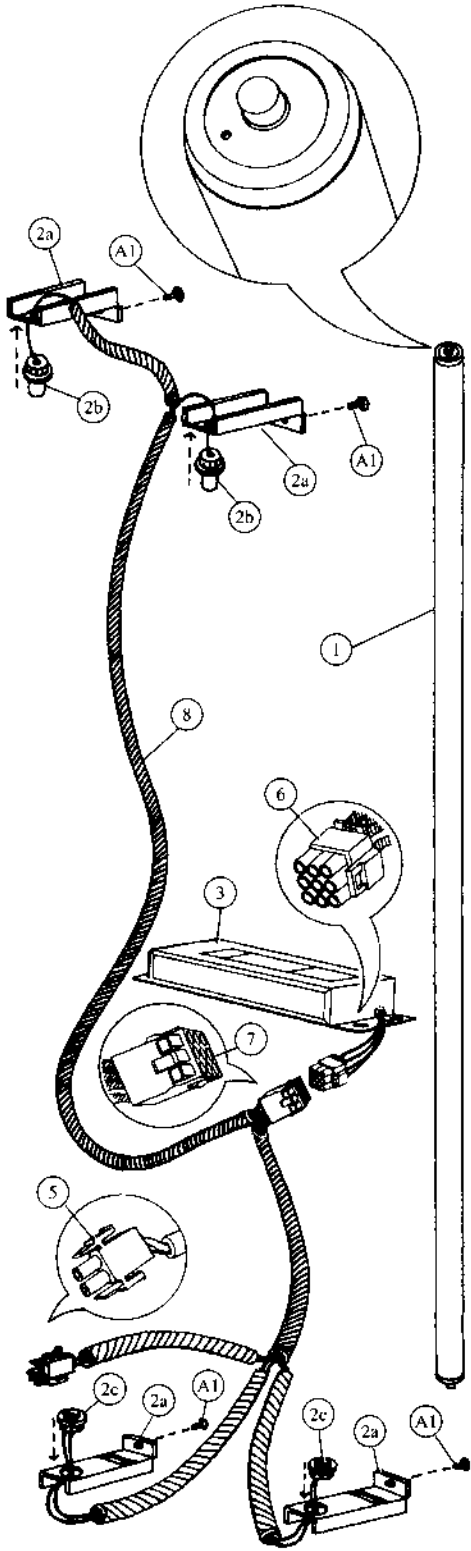
Item	Part Number	Part Name And Description
1a	801,503,040.01	T Handle Assembly
1b	Specify key number	Lock with Two Keys
1c	Specify key number	Key Only
1d	801,505,730.01	Handle Only
1e	901,503,050.01	Spring
1f	4255-6-44W	Stud
1g	901,503,090.11	Cross Pin
2a	See list below	Complete Coin Insert Kit with T Handle
	491,010,800.04	Domestic (USA and Canada)
	Not applicable	Export (All others except listed below)
	Not applicable	Mexico
	Not applicable	Argentina - Token
2b	See list below	Complete Coin Insert Kit without T Handle
	491,050,500.03	Domestic (USA and Canada)
	491,150,500.03	Export (All others except listed below)
	480,350,500.03	Mexico
	480,550,500.03	Argentina - Token
2c	See list below	Coin Insert Only
	801,201,160.41	Domestic (USA and Canada)
	801,201,170.21	Export (All others except listed below)
	801,201,280.11	Mexico
	801,201,270.21	Argentina - Token
2d	453,050,130.83	Coin Insert Retainer
2e	801,805,800.31	Coin Chute Cover
2f	801,805,790.61	Coin Chute
2g	901,700,630.11	Spring Extension
2h	453,050,800.03	Coin Return Plunger Assembly
2i	432,050,570.33	Plunger Bracket
3	432,050,210.23	Validator Plate
4	See list below	Instruction Label (not shown)
	803,822,940.01	English
	903,832,680.01	Irish
	803,825,760.01	Spanish
	803,825,410.01	French
	803,825,750.01	Italian
	803,825,740.01	German
5	See list below	Correct Change Lamp
	904,700,180.31	English "Use Correct Change"
	804,700,500.11	English, IEC Standard "Use Correct Change"
	804,700,440.31	Spanish "Importe Exacto"
	804,700,450.21	French "Faites L'Appoint"
	804,700,400.21	Italian "Usare Monete Contate"
	804,700,470.21	Turkish "Lutfen Para Atiniz"
	804,700,480.21	German "Abgezahltes Geld Verwendeb"
	904,700,490.21	Portuguese "Introduza Quantia Exacta"
6	801,806,080.11	Drip Chute (not shown)

F6	901,503,070.01	E Ring (2)
C8	901,503,060.01	Flat Washer
C9	901,503,080.01	Hex Washer
A1	900,301,700.01	Sems Screw #6-32 x 3/8 (4)
C3	900,800,500.01	Keps Nut #8-32 (4)

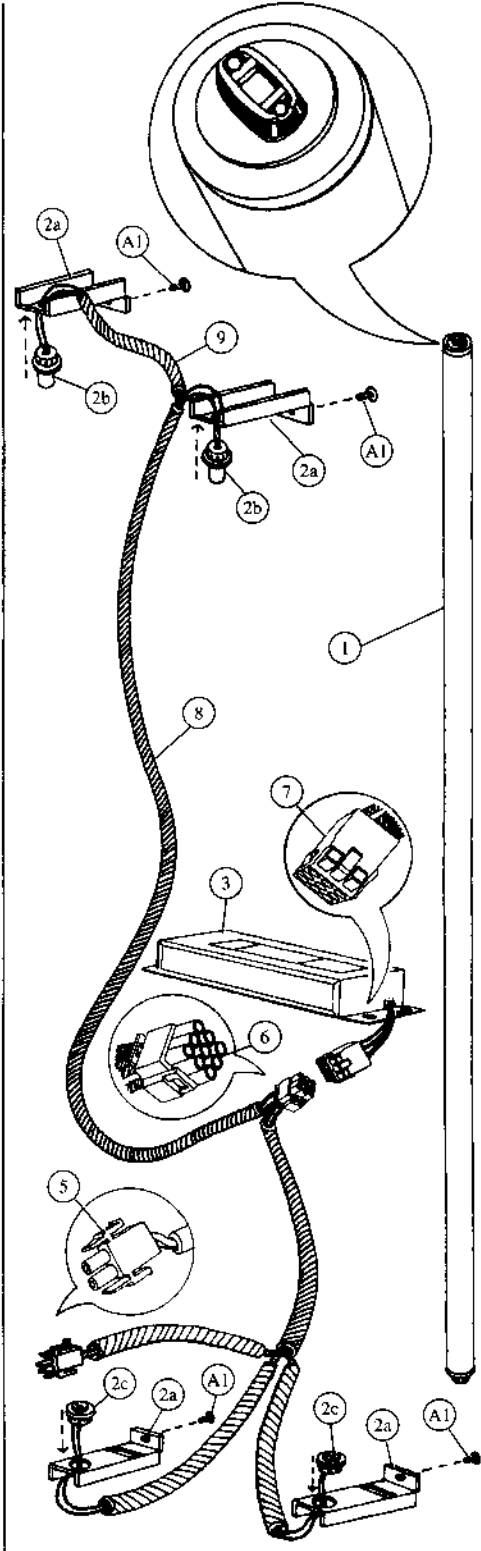
Select Panel - Coke (Landscape)



Lighting - Coke (Landscape)



Slimline



High-Output

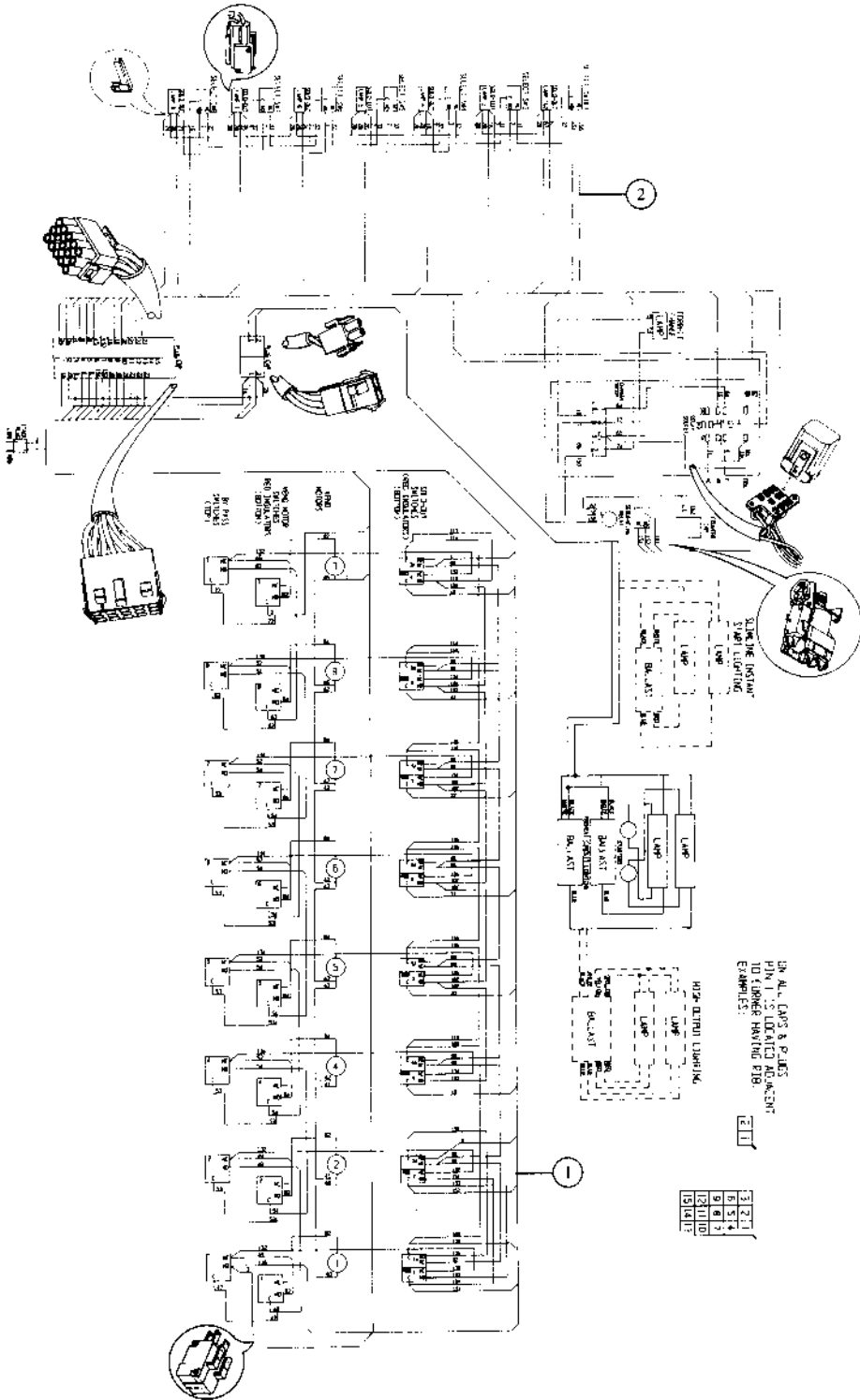
Lighting - Coke (Landscape)

Item	Part Number	Part Name And Description
High-Output Lighting		
1	804,700,370.01	Fluorescent Bulb - F64T12/D/HO
2a	432,050,380.63	Door Bracket Lamp Socket
2b	804,901,990.01	Top Lamp Holders - 523
2c	804,902,000.01	Bottom Lamp Holders - 524
3	804,400,380.01	Plug-In Ballast, Advance #VSM/HO
4	904,800,520.01	Connector, Electrical (not shown) (scotchlock 557)
5	904,600,710.01	2-Way Plug
6	904,600,670.01	9-Way Plug
7	904,600,660.01	9-Way Cap
8	804,904,510.21	Plug-In Ballast Harness, High Output
9	804,904,920.11	Lamp Fixture Jumper, High Output

Slimline Lighting		
1	804,700,300.01	Fluorescent Bulb - F64T12/DAYLT
2a	432,050,380.63	Door Bracket Lamp Socket
2b	804,902,020.01	Top Lamp Holders - 516
2c	804,902,030.01	Bottom Lamp Holders - 517
3	804,400,370.01	Plug-In Ballast - Advance Slimline
4	904,800,520.01	Connector, Electrical (not shown) (scotchlock 557)
5	904,600,710.01	2-Way Plug
6	904,600,670.01	9-Way Plug
7	904,600,660.01	9-Way Cap
8	804,904,600.61	Plug-In Ballast Harness, Slimline

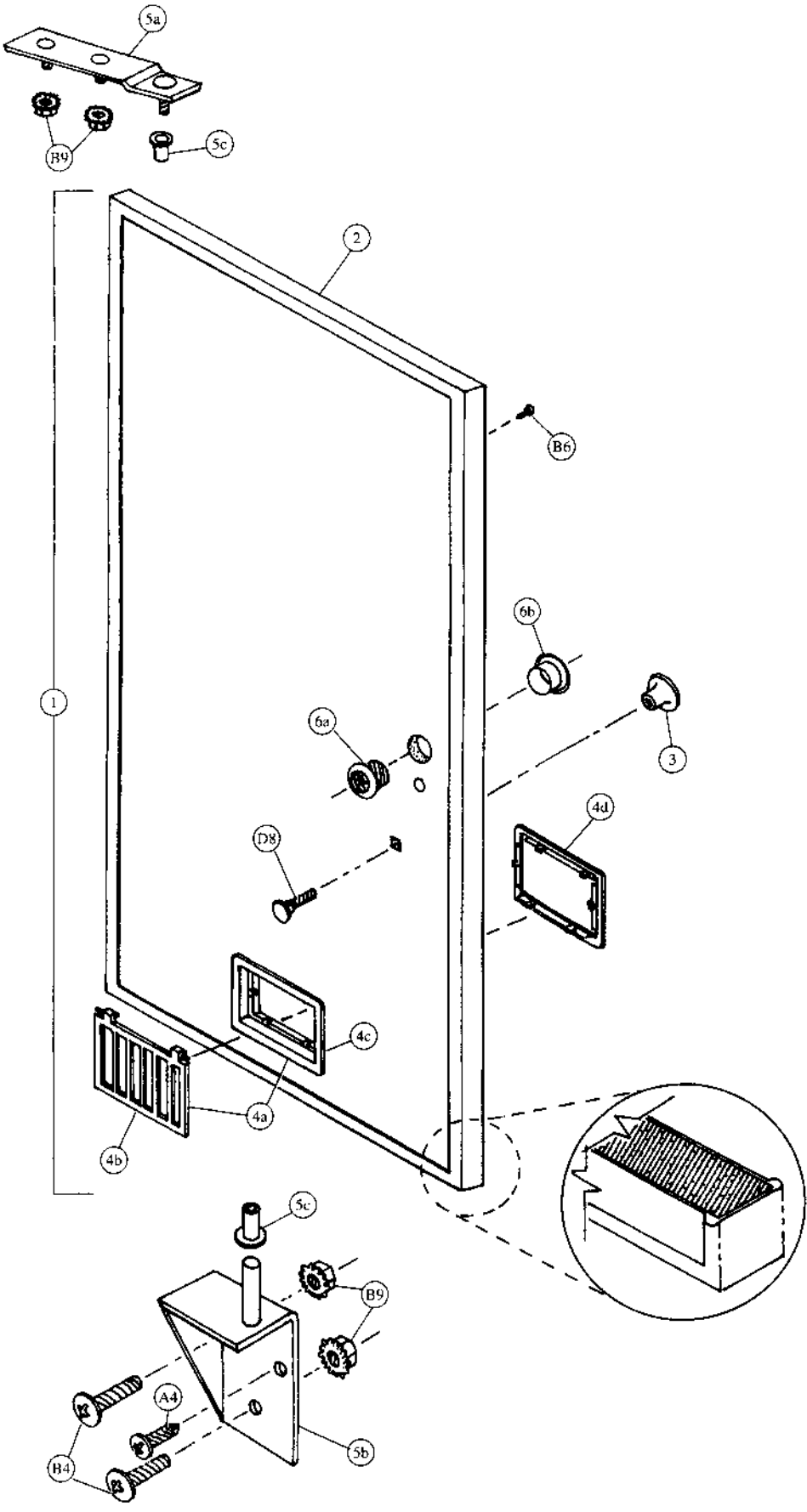
A1	900,301,700.01	Sheet Metal Screw #6 - 32 x 3/8 (4)
----	----------------	-------------------------------------

Wiring Harness - Coke (Landscape)

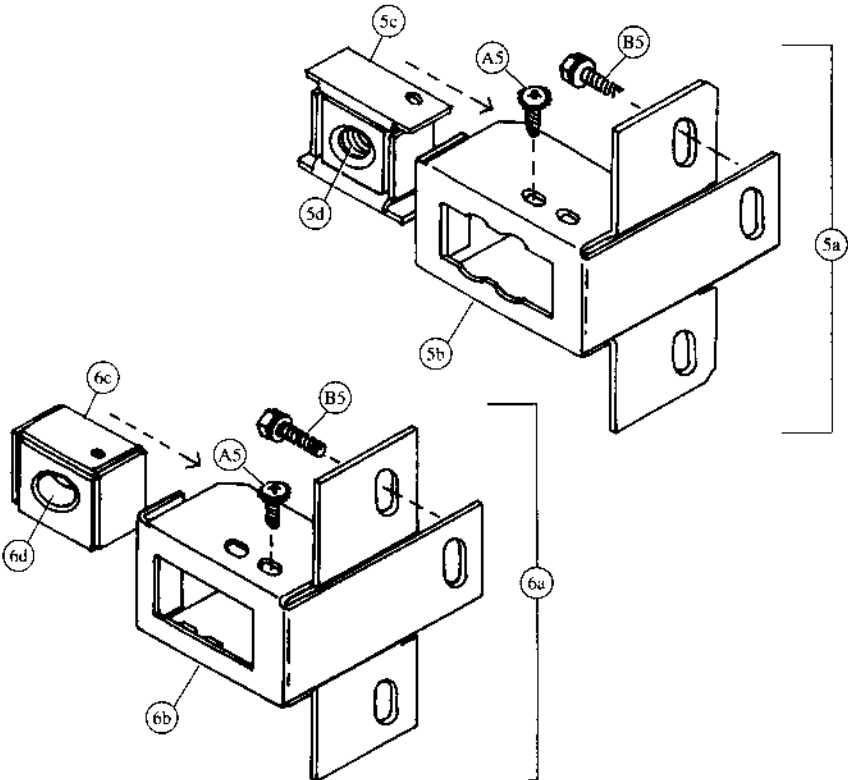
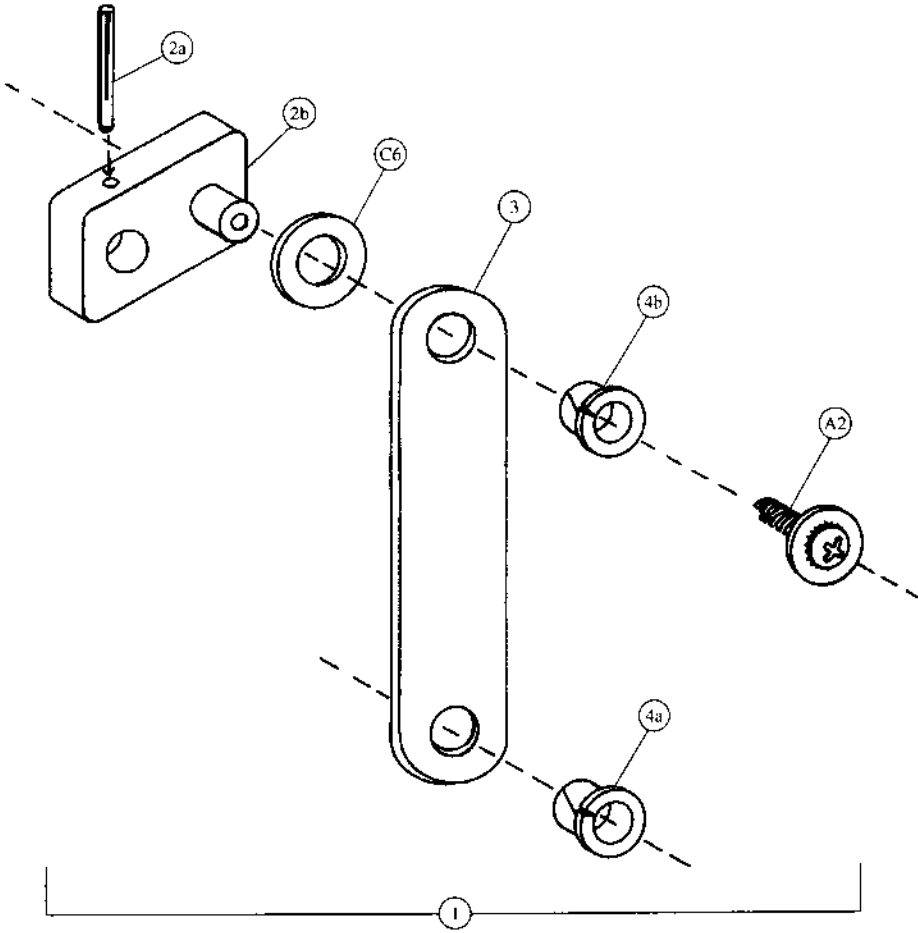


Sample Diagram
T Model, 8 Column Dual Adaptable, Sequencing 1 & 2, Single Price

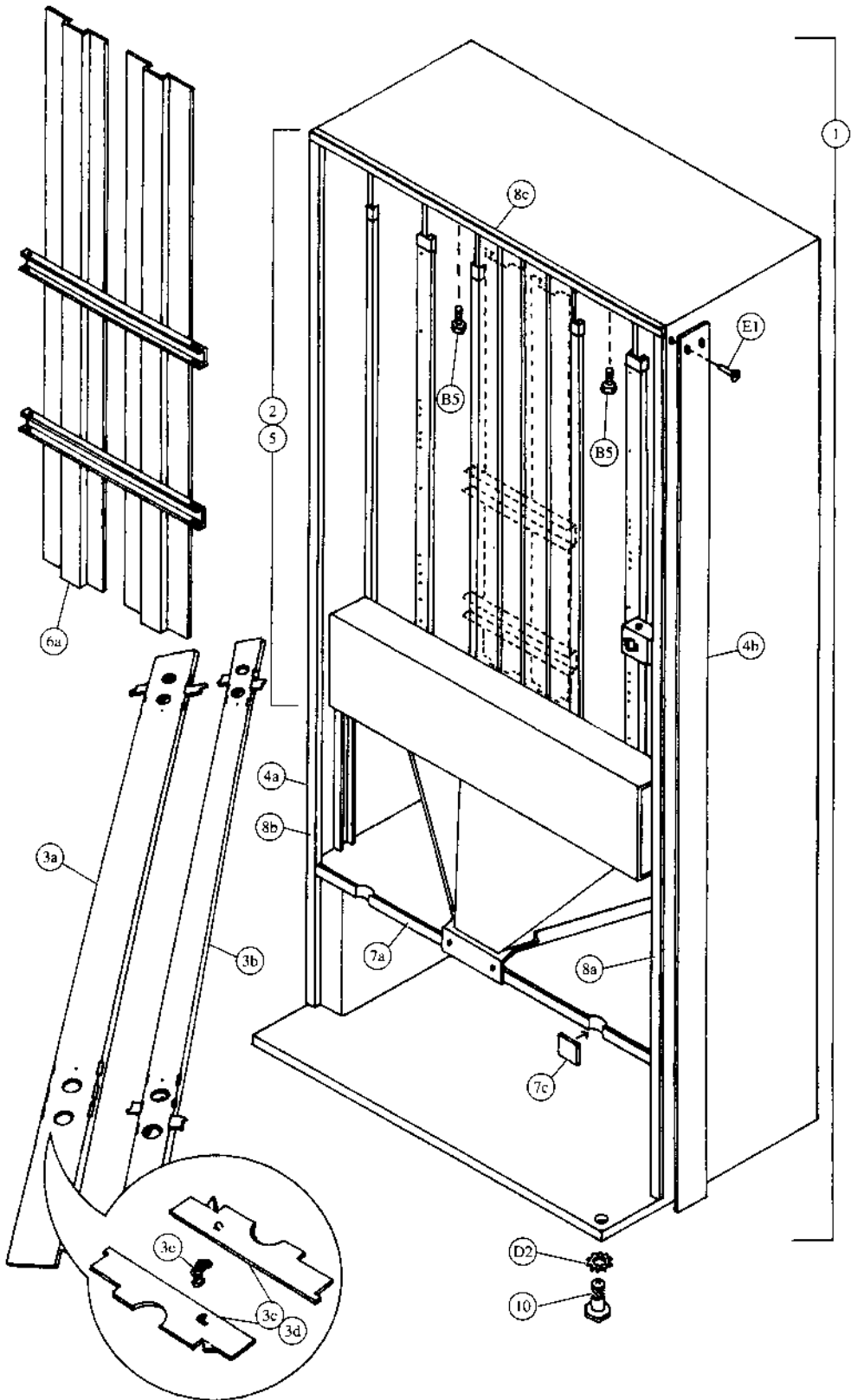
Inner Door - Coke (Landscape)



Two-Bar Linkage & Nut Retainer Housing - Coke (Landscape)



Cabinet Interior - Coke (Landscape)

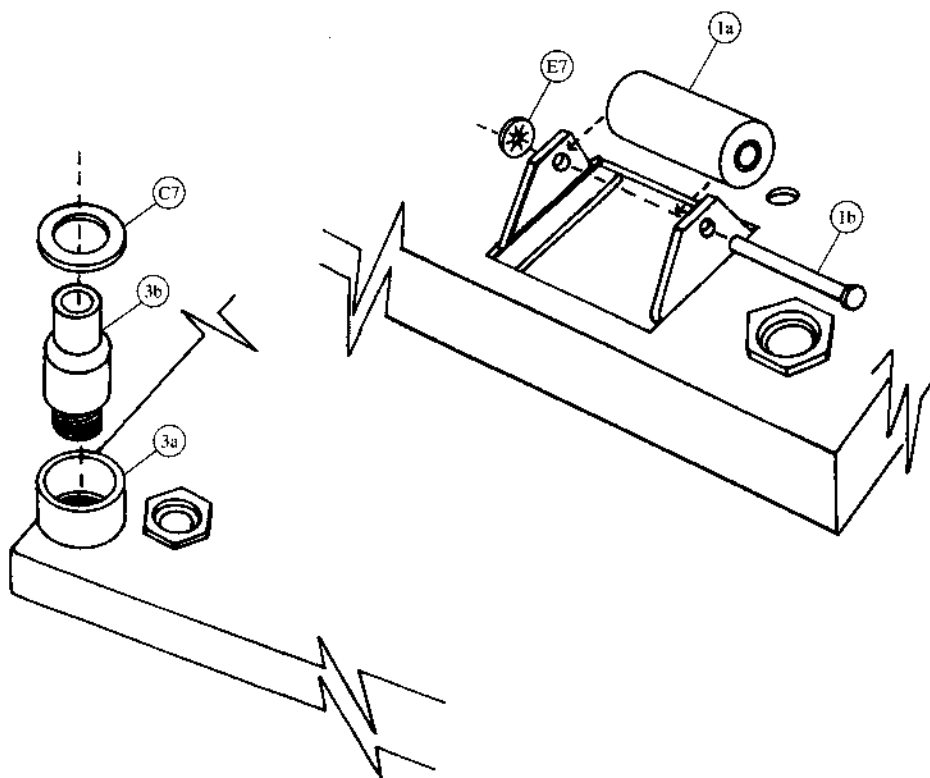
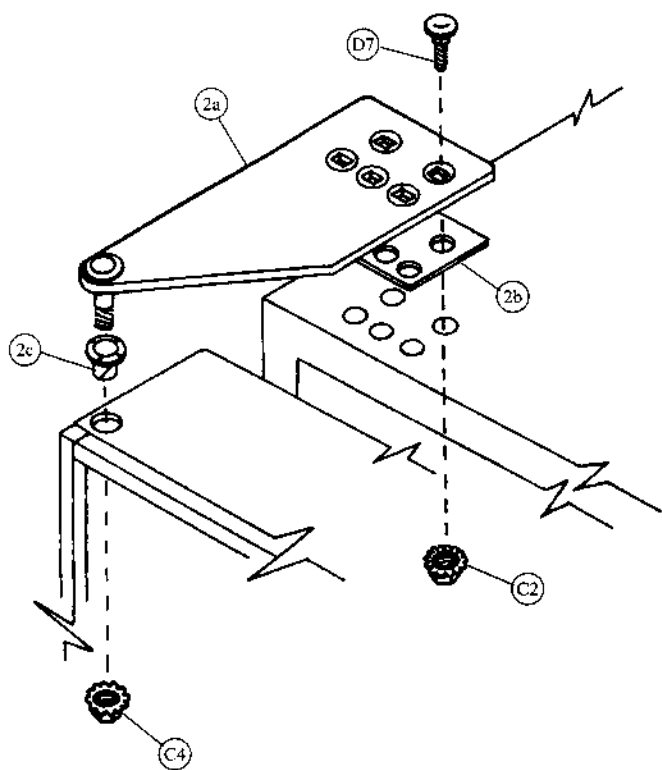


Cabinet & Vend Mechanism - Coke (Landscape)

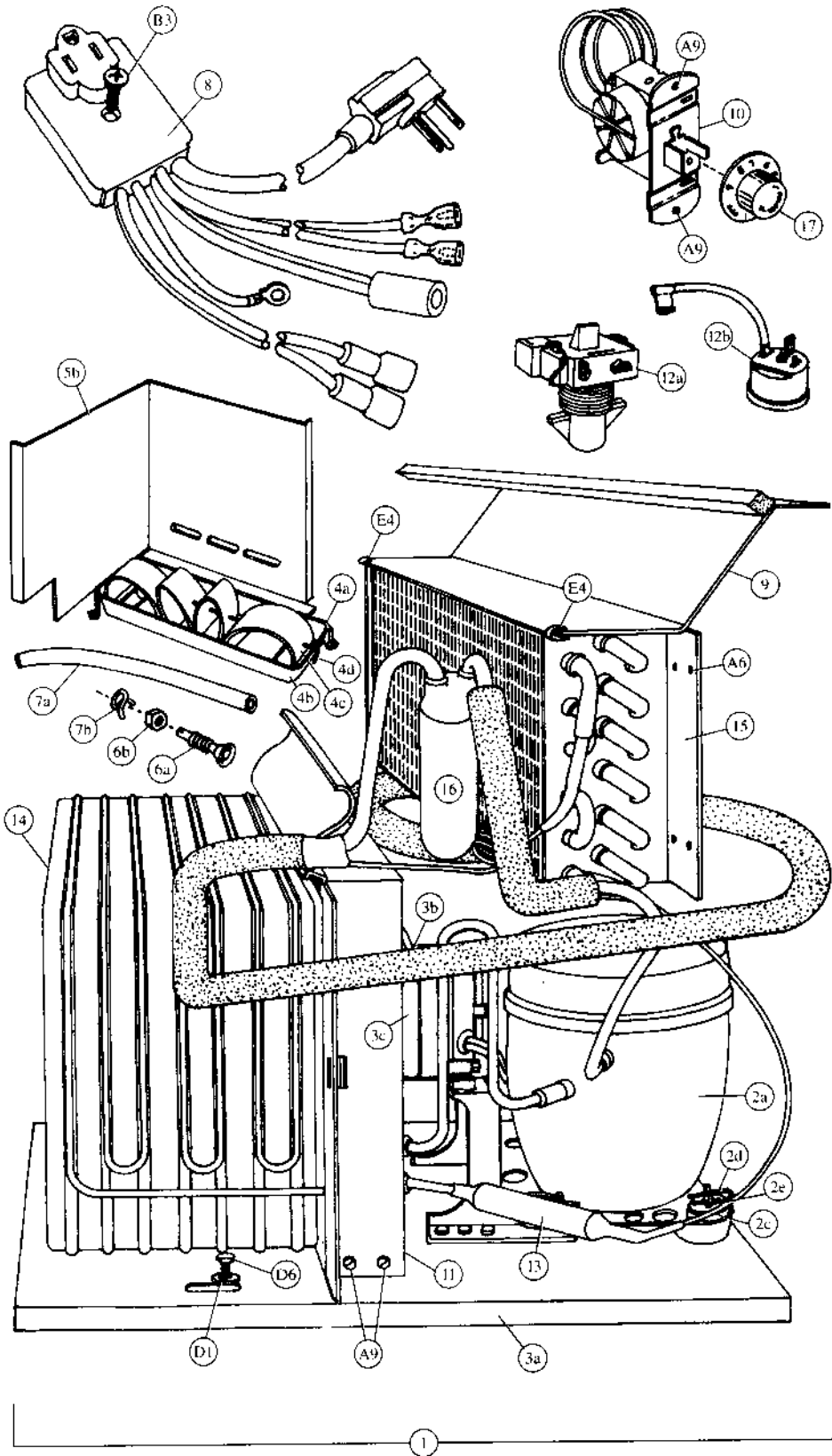
Item	Part Number	Part Name And Description
1	491,070,050.33	Vend Motor Cover, Wide
	491,071,200.23	Vend Motor Cover, Wide - IEC Standard
2a	See list below	Vend Motor Assembly, Wide
	497,070,800.03	Single Price
	497,170,100.03	Two/Four Price
2b	801,806,410.01	Vend Cam, Green
2c	801,806,400.11	Adjustable Cam, Gold
3a	See list below	Vend Motor Assembly, Narrow (501 only)
	497,070,900.03	Single Price
	497,170,200.03	Two/Four Price
3b	801,806,180.21	Vend Cam, Brown (501 only)
3c	801,806,610.21	Adjustable Cam, Brown (501 only)
4	See list below	Vend Motor Switch
	804,100,600.01	Single Price (Double Switch)
	804,100,690.01	Single Price - IEC Standard (Double Switch)
	804,100,700.01	Two/Four Price - IEC Standard (Triple Switch)
5	905,800,330.11	Vend Motor Switch Insulator
6	801,201,220.01 (A)	Vend Rotor - Narrow Column (501 only)
	801,201,230.01 (B)	Triple Depth Can Rotor - Narrow Column (501 only)
7a	801,201,020.11	Vend Oscillator - Wide Column
7b	901,700,650.31	Can Retainer Oscillator
8a	801,803,170.21	Nyliner, Rear (not shown)
8b	901,804,230.01	Nyliner, Front - Wide Column only (not shown)
9	267,070,370.43	Wire Shield
10a	804,100,610.01	Sold Out Switch Assembly
	804,100,680.01	Sold Out Switch Assembly - IEC Standard
10b	432,070,190.13	Sold Out Paddle
10c	901,700,740.01	Sold Out Paddle Spring
11	497,070,010.33	Mechanism Support
12a	See list below	Evaporator Fan Motor Assembly
	491,000,200.03	115v
	491,140,400.03	220-240v
12b	See list below	Evaporator Fan Motor
	804,500,590.01	115v
	804,500,520.01	220-240v
12c	164,040,080.73	Evaporator Fan Motor Bracket
12d	801,303,270.11	Evaporator Fan Blade
12e	902,100,290.01	Silencer
13a	497,071,300.03	Can Chute Assembly (includes 13b & 13c)
13b	324,000,010.93	Can Chute
13c	324,000,020.53	Chute Liner (Kydex)
14a	903,300,770.01	Foam Block
14b	169,000,130.03	Hinge Pocket Cover
15	176,072,110.13	Journal
16	172,070,530.03	Support, Can/Bottle Chute

C1	900,901,510.02	Screw, Phil Pan Tapping
A3	900,301,830.01	Sems Screw #10 - 32 x 3/8 (8)
A6	900,600,230.02	Sheet Metal Screw, Type "A"
B8	900,301,690.01	Hex Tap Screw #8 - 32 x 3/8 (3)
A8	900,301,820.01	Vend Motor Screw #4 x 1 1/8 - Double Switch (16)
	900,301,610.01	Vend Motor Screw #4 x 1 1/8 - Triple Switch
A9	900,301,560.01	Sems Screw #8 - 32 x 3/8 (28)
E5	900,401,090.01	Grommet, Black Rubber #97 (3)
C5	900,800,850.01	Speed Nut
B1	900,301,850.01	Sems Screw #8 - 32 x 3/8

Hinges and Rollers - Coke (Landscape)



Refrigeration - Coke (Landscape)



Refrigeration System - Coke (Landscape)

Item	Part Number	Part Name And Description
1	Provide information listed	Complete Refrigeration System: Indicate unit model number from serial plate on unit base plate, refrigerant, voltage/hertz and country.
2a	Provide information listed	Compressor S $\frac{1}{2}$ HP: Indicate compressor manufacturer, voltage/hertz, refrigerant and complete manufacturer's model number.
2b	See list below	Compressor Lead Harness (not shown)
	904,900,611.01	All, except IEC Standard
	804,905,320.01	220-240v/50hz, IEC Standard
2c	902,000,570.01	Compressor Mounting Grommet
2d	900,901,880.01	Compressor Mounting Retainer Clip
2e	901,803,910.01	Compressor Grommet Plug, Plastic
3a	497,020,060.03	Condenser Base Plate
3b	See list below	Condenser Fan Motor Assembly
	491,040,200.03	115v
	491,140,300.03	220-240v
3c	See list below	Condenser Fan Motor
	804,500,670.01	115v
	804,500,700.01	220-240v
3d	800,103,370.02	Fan Blade (not shown)
4a	491,000,100.03	Drain Pan Assembly
4b	801,303,670.01	Drain Pan
4c	901,900,020.21	Soaker (8 required)
4d	901,400,060.11	Soaker Rod
5a	491,040,050.73	Condenser Baffle, Right Side (not shown)
5b	497,040,060.13	Condenser Baffle, Rear
6a	801,806,050.11	Drain Tube
6b	900,301,790.01	Drain Tube Nut
7a	901,900,500.01	Drain Hose
7b	900,901,030.01	Drain Hose Clamp
8	See listing below	Main Wiring Harness
	804,902,220.01 (a)	United States
	804,905,480.01 (b)	Australia, IEC 335 (not shown)
	804,905,490.01 (c)	United Kingdom, IEC 335 (not shown)
	804,902,160.21 (d)	Europe (not shown)
	804,903,160.01 (e)	Mexico (not shown)
	804,905,450.01 (f)	Italy (not shown)
	804,905,470.01 (g)	Danish, IEC 335 (not shown)
804,905,360.01 (h)	Germany, with Splashwater Protector (not shown)	
9	236,040,010.53	Top Fan Housing, Long
	211,040,030.13	Top Fan Housing, Short
10	802,800,410.01	Temperature Control
11	491,040,110.43	Fan Shroud Condenser
12a	Provide information listed	Relay: Indicate compressor manufacturer, model # and voltage/hz
12b	Provide information listed	Overload: Indicate compressor manufacturer, model # and voltage/hz
13	802,401,230.01	Dryer
14	802,600,540.01	Condenser
15	802,600,500.01	Evaporator, Long
	802,600,370.51	Evaporator, Short
16	802,400,460.01	Accumulator
17	802,800,420.01	Knob, Temperature Control
A6	900,600,230.02	Sheet Metal Screw, Type "A" (not shown) (2)
A9	900,301,560.01	Sems Screw #8 - 32 x $\frac{3}{8}$ (8)
B3	900,301,810.01	Screw, #10 - 32 x 1 $\frac{1}{2}$
D1	900,700,360.01	Lockwasher, $\frac{3}{8}$ " (2)
E4	900,901,890.01	Tinnerman Clip (2)
D6	900,400,440.01	Refrigeration Bolt $\frac{3}{8}$ - 16 x 1 (2)

Signs and Decals - Coke (Landscape)



①



④



②



⑤

Signs & Decals - Coke (Landscape)

Item	Part Number	Part Name And Description
1	See list below	Circular Coke Signs
	805,006,460.31	Coca-Cola (USA) (shown)
	805,006,650.01	Coca-Cola Beba
	805,006,710.01	Coca-Cola CSA French
	805,006,720.01	Coca-Cola International
	805,006,770.01	Coca-Cola Italy
	805,006,910.01	Coca-Cola CSA English
	805,006,940.01	Coca-Cola Trink International
	805,006,950.01	Coca-Cola Buvez International
	805,007,140.01	Coca-Cola Horizontal
	805,007,360.01	Coca-Cola Puerto Rico
	805,007,680.01	Coca-Cola Arabic
	805,007,840.01	Coca-Cola Tome Circle
	805,007,960.01	Coca-Cola Light France
	805,008,290.01	Coca-Cola Australia
	805,008,730.01	Coca-Cola Coke Can On Ice
	805,009,950.01	Coca-Cola Greece
	805,010,140.01	Coca-Cola Coke Beba Can On Ice
	805,010,250.01	Coca-Cola Turkey
	805,008,440.01	Coca-Cola Light Sweden
	805,009,940.01	Coca-Cola Light Greece
805,010,000.01	Coca-Cola Light Beba	
805,010,060.01	Coca-Cola Light Standard International	
805,010,310.01	Coca-Cola Bevette Coke Light	
805,008,670.01	Coca-Cola Bottle Graphics	
2	See list below	Coca-Cola Diet Coke Signs
	805,006,580.01	Diet Coke (USA) (shown)
	805,010,280.01	Diet Coke Turkey
3	805,008,000.01	Minute Maid Sign
4	See list below	Coke Side Decals
	803,822,250.11	Coca-Cola (USA) (shown)
	803,823,740.01	Coca-Cola International (522 only)
	803,827,120.01	Coca-Cola Standard International (501 only)
	803,831,010.01	Coca-Cola Greece
5	803,827,690.01	Diet Coke Side Decal (USA) (shown)
6	803,829,310.01	Minute Maid Side Decal

Screws & Nuts - Coke (Landscape)



A1



A2



A3



A4



A5



A6



A7



A8



A8



A9



B1



B2



B3



B4



B5



B6



B7



B8



B9



C1



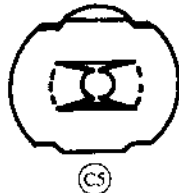
C2



C3



C4



C5

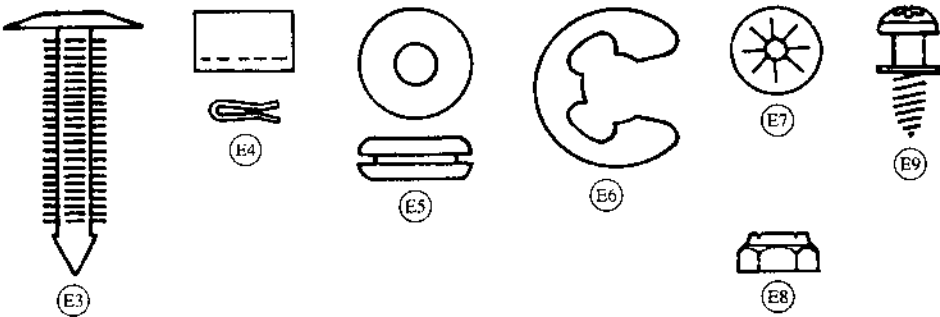
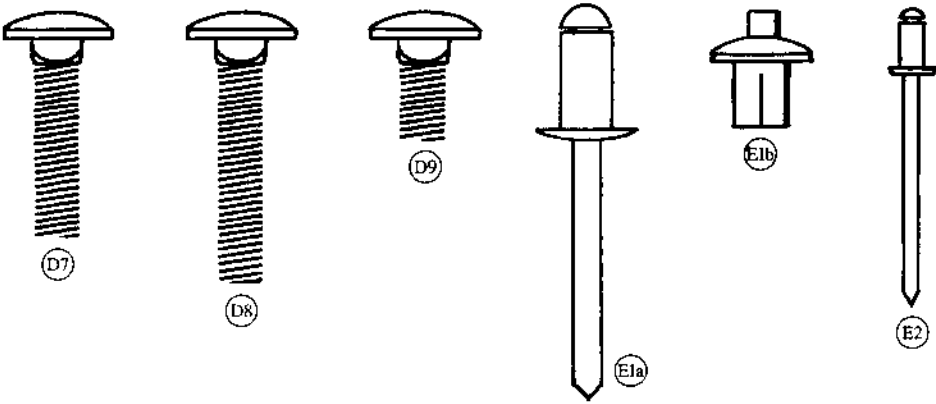
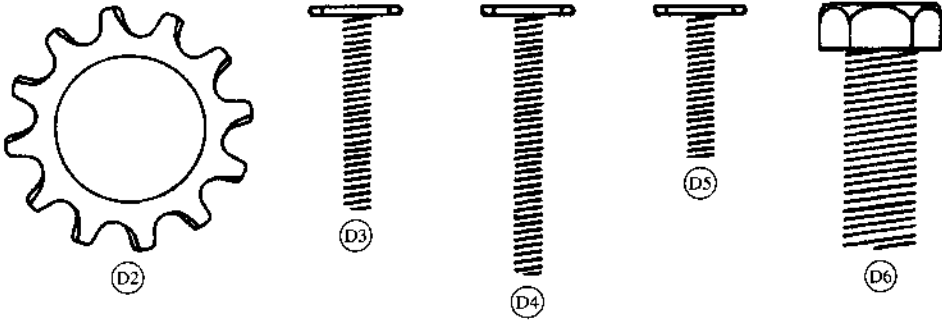
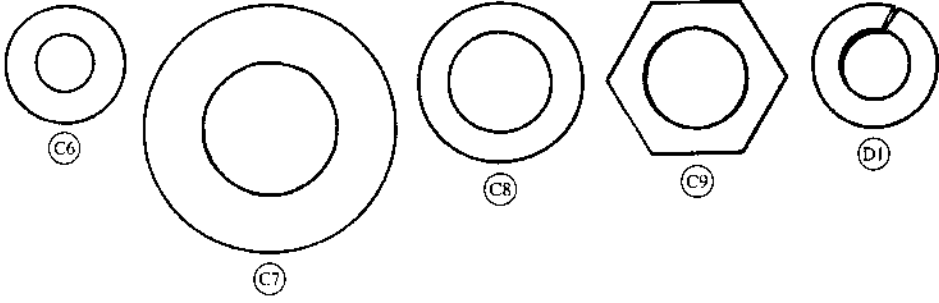


CC



CD

Washers, Bolts & Misc. - Coke (Landscape)

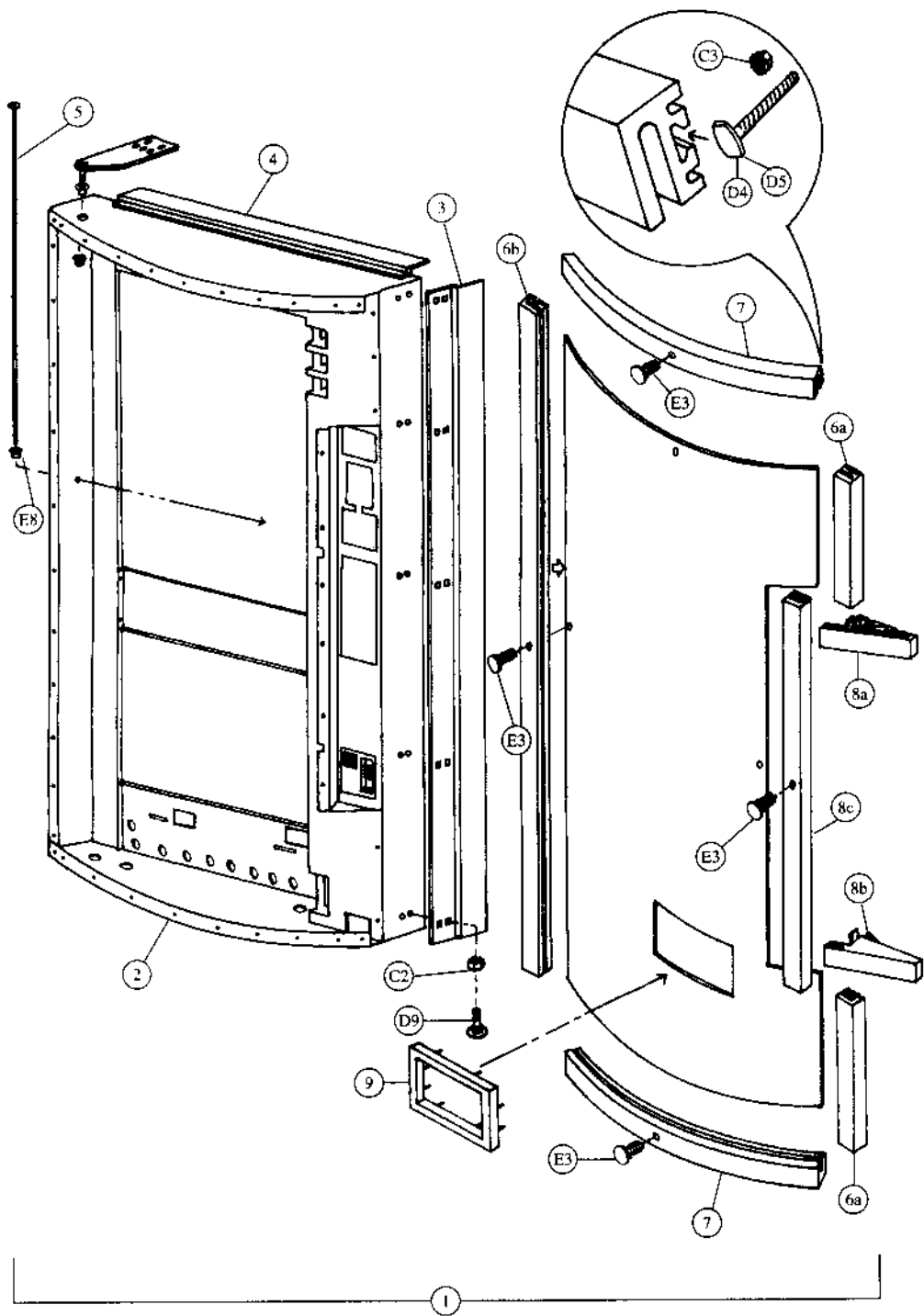




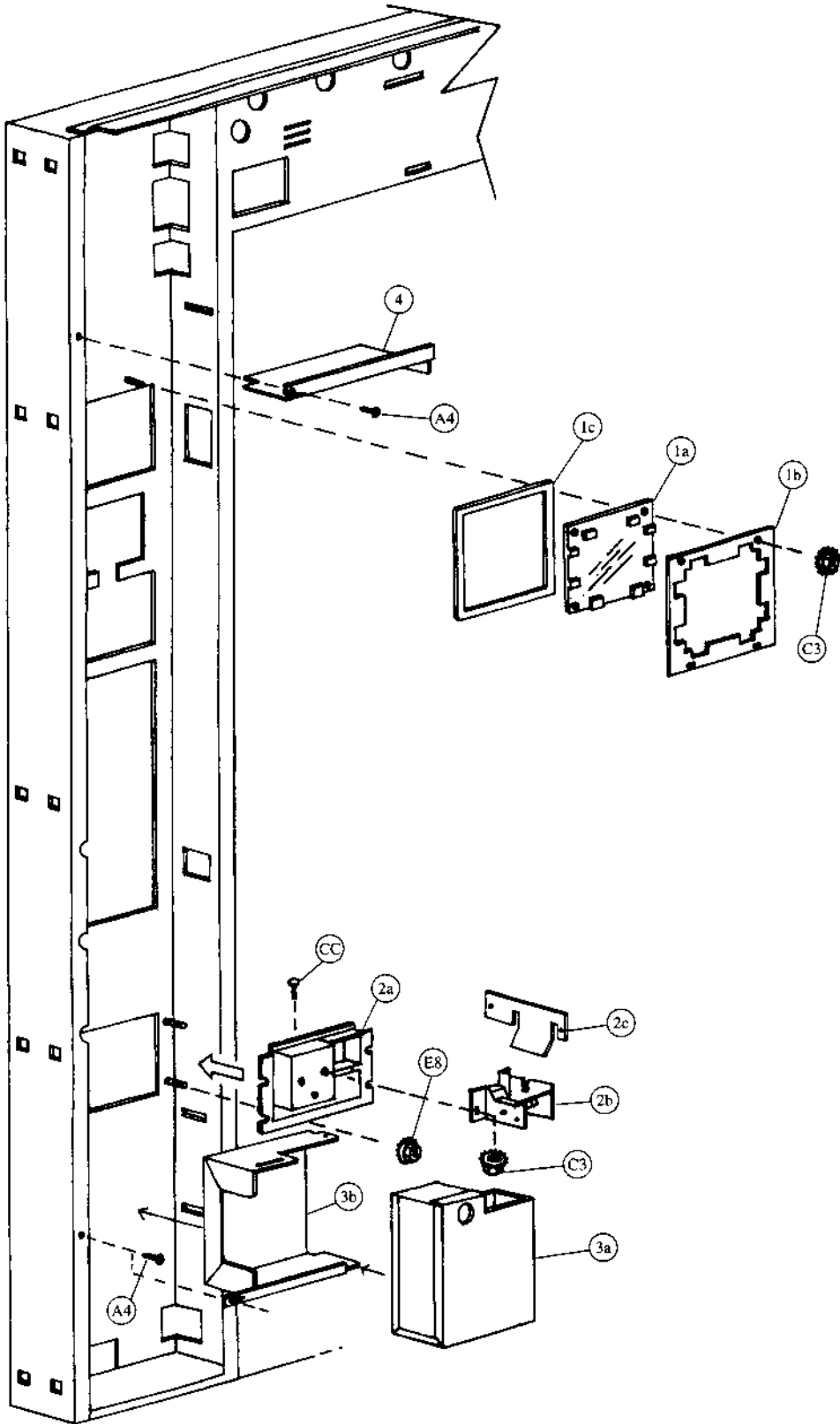
Coke (Landscape) DNCB 600C

Dimensions	79 1/2" H x 37 1/16" W x 32" D (2019mm H x 940mm W x 813mm D)
Dimensions Less Door	79 1/2" H x 37 1/16" W x 29" D (2019mm H x 940mm W x 737mm D)
Approximate Weight	840 lbs. (381kg)
Selections/Columns	7/8 or 8/8
Total 12 oz. (330ml) Cans Capacity/Vend	600/576
Column Capacity 12 oz. (330ml) Cans	5 Single Columns - 57 Each 3 Double Columns - 105 Each

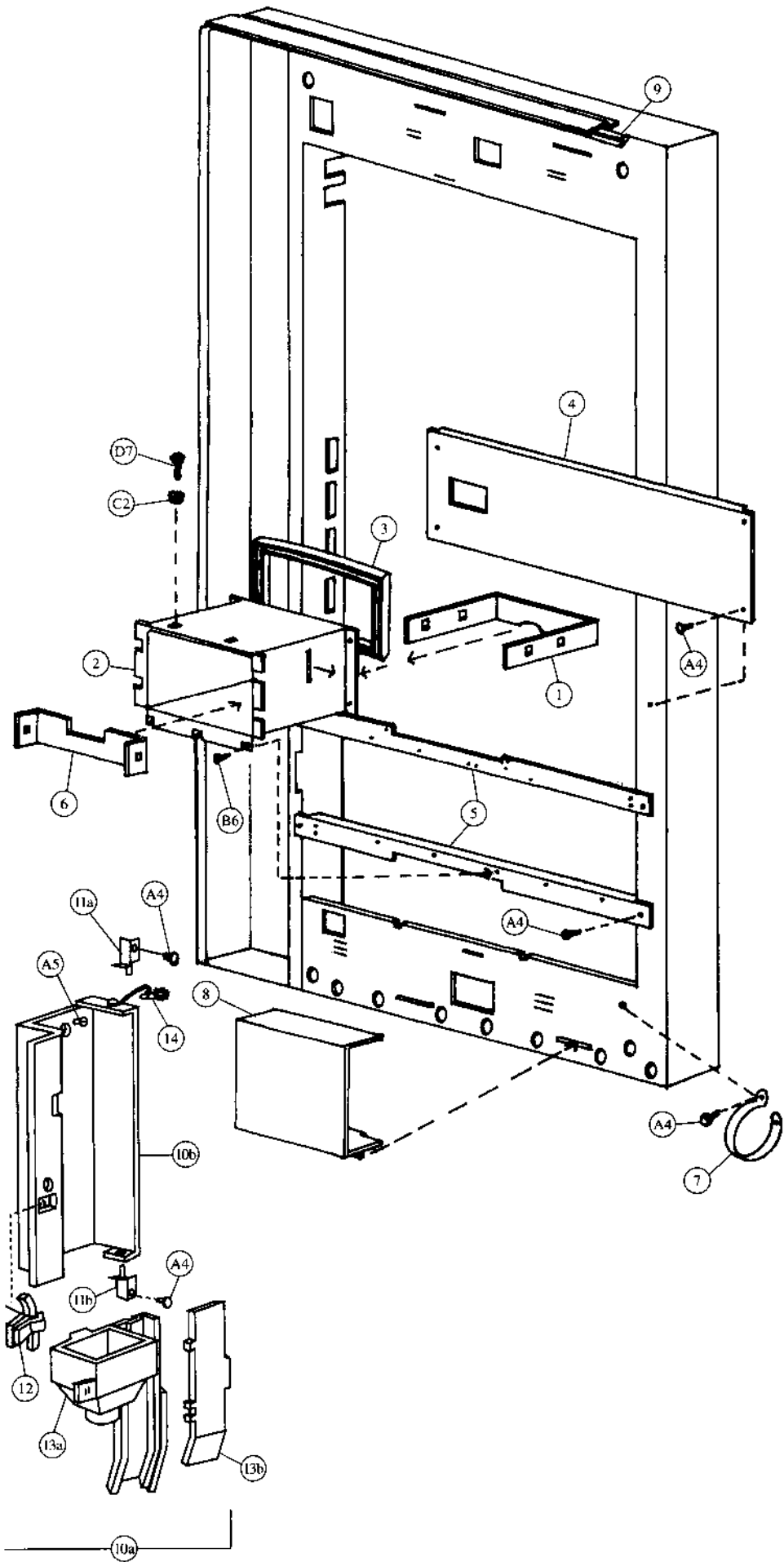
Main Door - Exterior - Coke (Landscape)



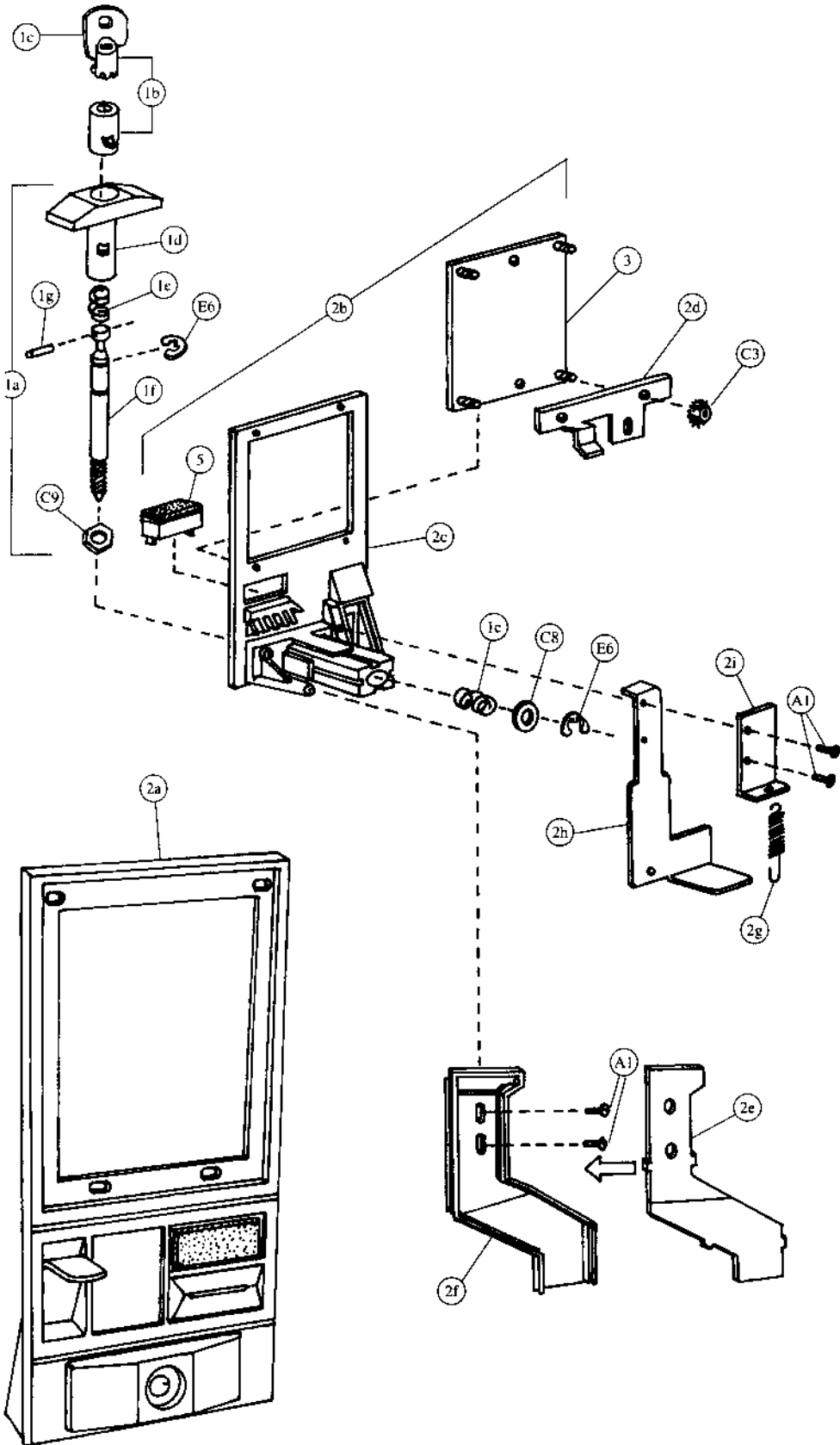
Main Door - Interior (A) - Coke (Landscape)



Main Door - Interior (B) - Coke (Landscape)



Pull-Out Handle & Coin Insert - Coke (Landscape)

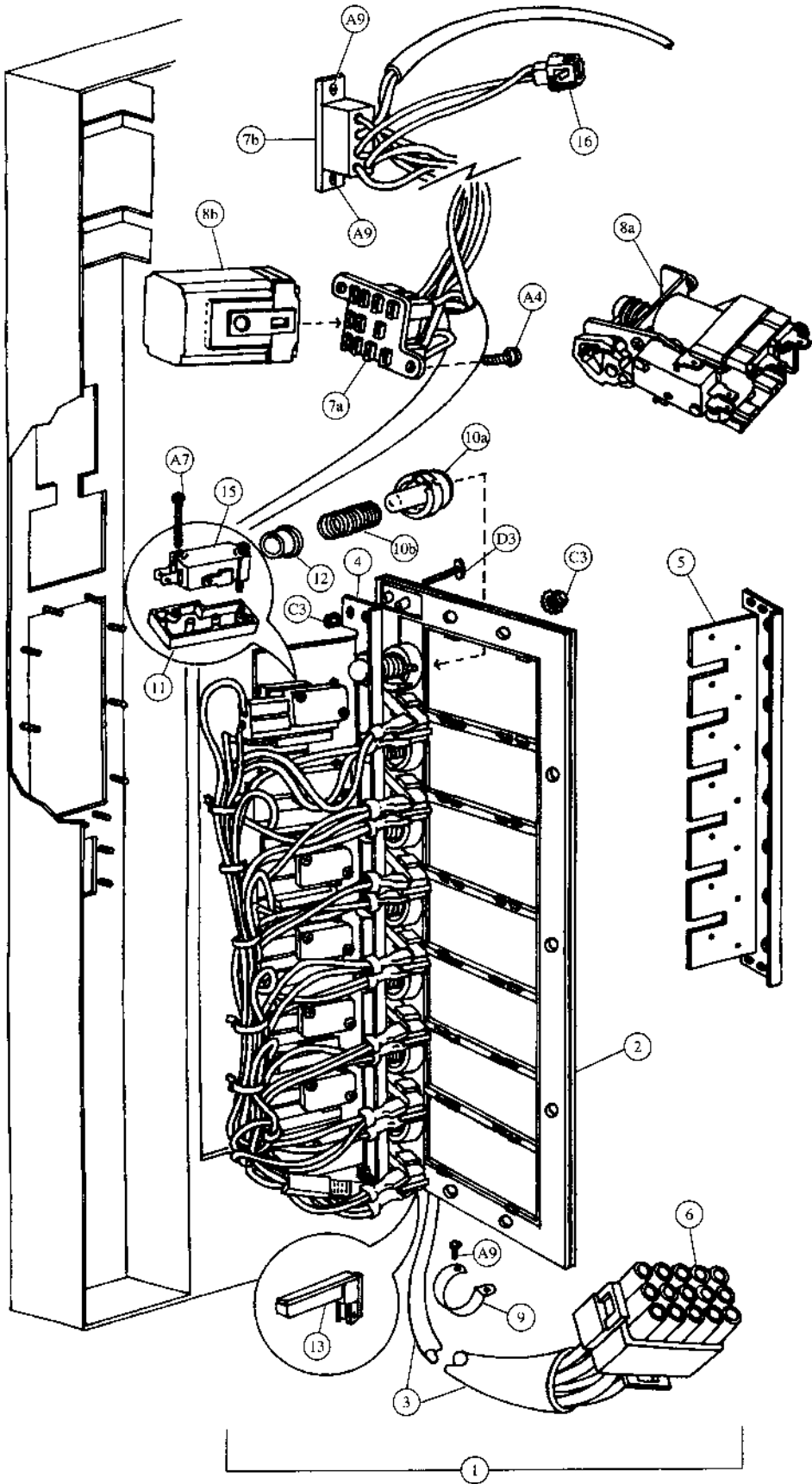


Pull-Out Handle & Coin Insert - Coke (Landscape)

Item	Part Number	Part Name And Description
1a	801,503,040.01	T Handle Assembly
1b	Specify key number	Lock with Two Keys
1c	Specify key number	Key Only
1d	801,505,730.01	Handle Only
1e	901,503,050.01	Spring
1f	4255-6-44W	Stud
1g	901,503,090.11	Cross Pin
2a	See list below	Complete Coin Insert Kit with T Handle
	491,010,800.04	Domestic (USA and Canada)
	Not applicable	Export (All others except listed below)
	Not applicable	Mexico
	Not applicable	Argentina - Token
2b	See list below	Complete Coin Insert Kit without T Handle
	491,050,500.03	Domestic (USA and Canada)
	491,150,500.03	Export (All others except listed below)
	480,350,500.03	Mexico
	480,550,500.03	Argentina - Token
2c	See list below	Coin Insert Only
	801,201,160.41	Domestic (USA and Canada)
	801,201,170.21	Export (All others except listed below)
	801,201,280.11	Mexico
	801,201,270.21	Argentina - Token
2d	453,050,130.83	Coin Insert Retainer
2e	801,805,800.31	Coin Chute Cover
2f	801,805,790.61	Coin Chute
2g	901,700,630.11	Spring Extension
2h	453,050,800.03	Coin Return Plunger Assembly
2i	432,050,570.33	Plunger Bracket
3	432,050,210.23	Validator Plate
4	See list below	Instruction Label (not shown)
	803,822,940.01	English
	903,832,680.01	Irish
	803,825,760.01	Spanish
	803,825,410.01	French
	803,825,750.01	Italian
	803,825,740.01	German
5	See list below	Correct Change Lamp
	904,700,180.31	English "Use Correct Change"
	804,700,500.11	English, IEC Standard "Use Correct Change"
	804,700,440.31	Spanish "Importe Exacto"
	804,700,450.21	French "Faites L'Appoint"
	804,700,400.21	Italian "Usare Monete Conrate"
	804,700,470.21	Turkish "Lutfen Para Atiniz"
	804,700,480.21	German "Abgezahlt Geld Verwendeb"
	904,700,490.21	Portuguese "Introduza Quantia Exacta"
6	801,806,080.11	Drip Chute (not shown)

E6	901,503,070.01	E Ring	(2)
C8	901,503,060.01	Flat Washer	
C9	901,503,080.01	Hex Washer	
A1	900,301,700.01	Sems Screw #6-32 x 3/8	(4)
C3	900,800,500.01	Keps Nut #8-32	(4)

Select Panel - Coke (Landscape)

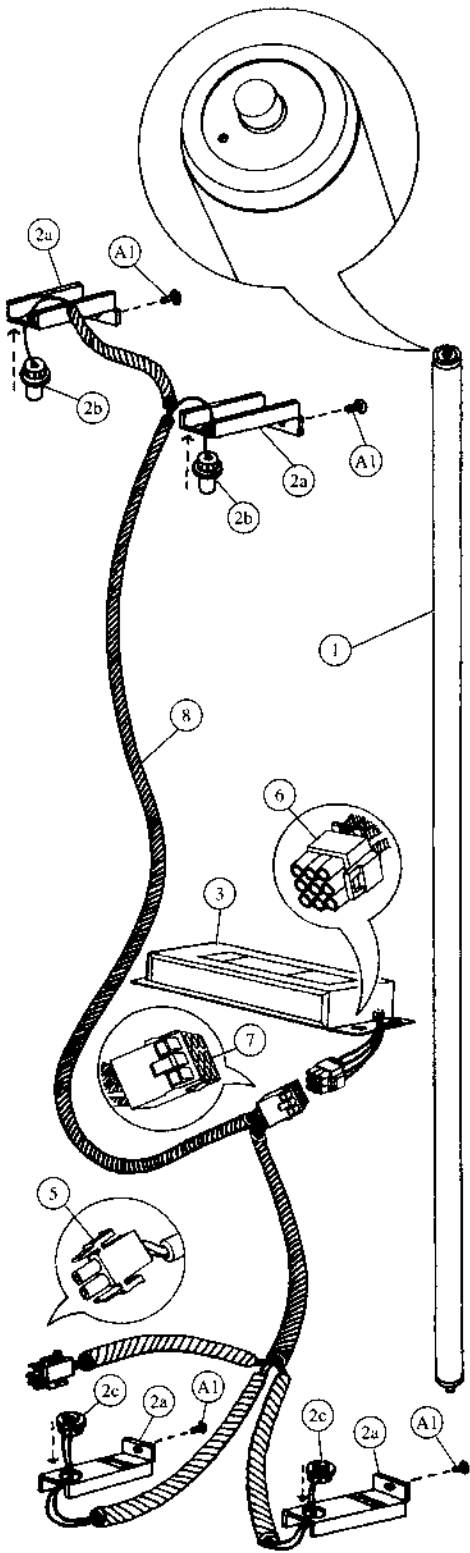


Select Panel - Coke (Landscape)

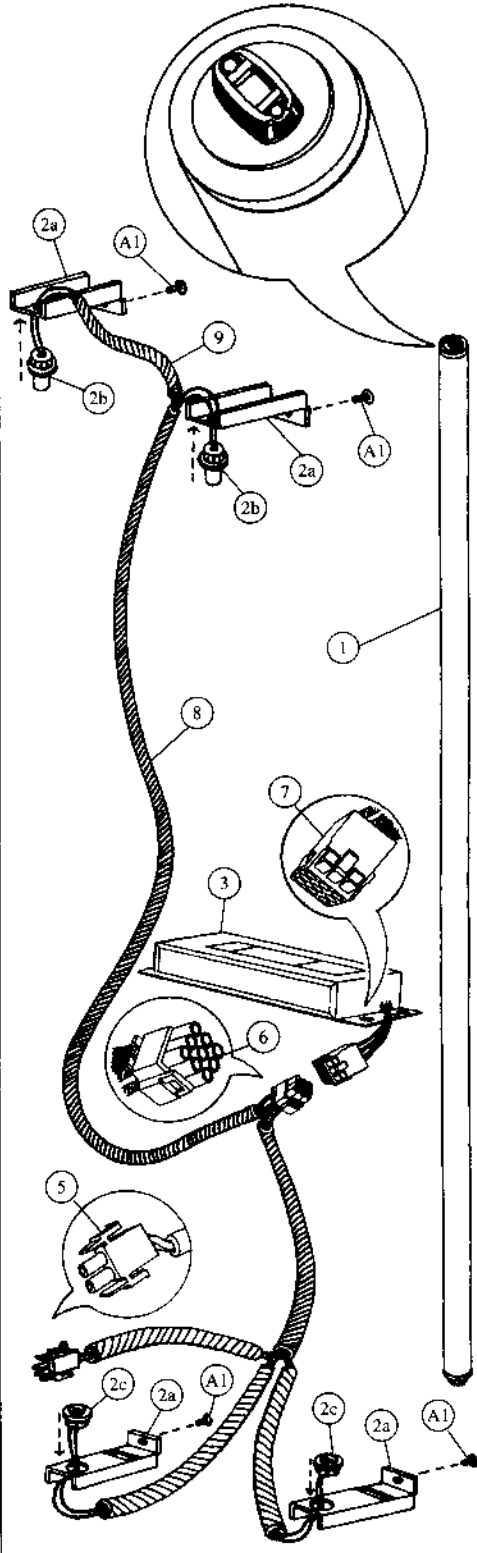
Item	Part Number	Part Name And Description
1	491,050,400.03	7 Select, Select Panel Assembly (specify harness)
	444,050,400.03	8 Select, Select Panel Assembly (specify harness)
2	801,805,740.01	7 Select, Select Panel
	801,805,780.01	8 Select, Select Panel
3a	See list below	7 Select, Door Harness
	804,903,670.41	Single Price & Single Price - IEC Standard
	804,903,950.21	Two Price & Two Price - IEC Standard
	804,904,110.41	Four Price & Four Price - IEC Standard
3b	See list below	8 Select, Door Harness
	804,903,680.41	Single Price & Single Price - IEC Standard
	804,903,960.41	Two Price & Two Price - IEC Standard
	804,904,130.41	Four Price & Four Price - IEC Standard
4	491,050,700.03	7 Select, Select Switch Bar Assembly
	444,050,700.03	8 Select, Select Switch Bar Assembly
5	432,050,530.63	7 Select, Select Switch Bar
	444,050,030.63	8 Select, Select Switch Bar
6	904,600,830.01	15-Way Plug
7a	904,600,620.01	Socket, Relay
7b	904,600,600.01	Socket, Coin Changer
8a	804,200,190.01	Sequence Relay (7 Select only)
8b	804,200,170.01	Vend Relay (single price only)
9	901,901,890.01	1" Clamp
10a	801,805,710.21	Push Button
10b	901,700,720.11	Push Button Spring
11	801,805,920.21	Switch Insulator
12	902,000,580.01	Nylet
13	804,700,210.21	Sold Out Lamp
14	Indicate flavor	Flavor Cards (not shown)
15	804,100,710.01	Select Switches (single Micro)
16	904,600,700.01	2-Way Cap

A4	900,301,500.01	Screw, Phil Pan (without washer) #8 - 18 x 1/2 (2)
A9	900,301,560.01	Sems Screw #8 - 32 x 3/8 (7)
A7	900,300,470.01	Screw, Phil Pan #4 x 3/4 (14)
D3	900,400,430.01	T-Bolt #8 - 32 x 1 (4)
C3	900,800,500.01	Keps Nut #8 - 32 (14)

Lighting - Coke (Landscape)



Slimline



High-Output

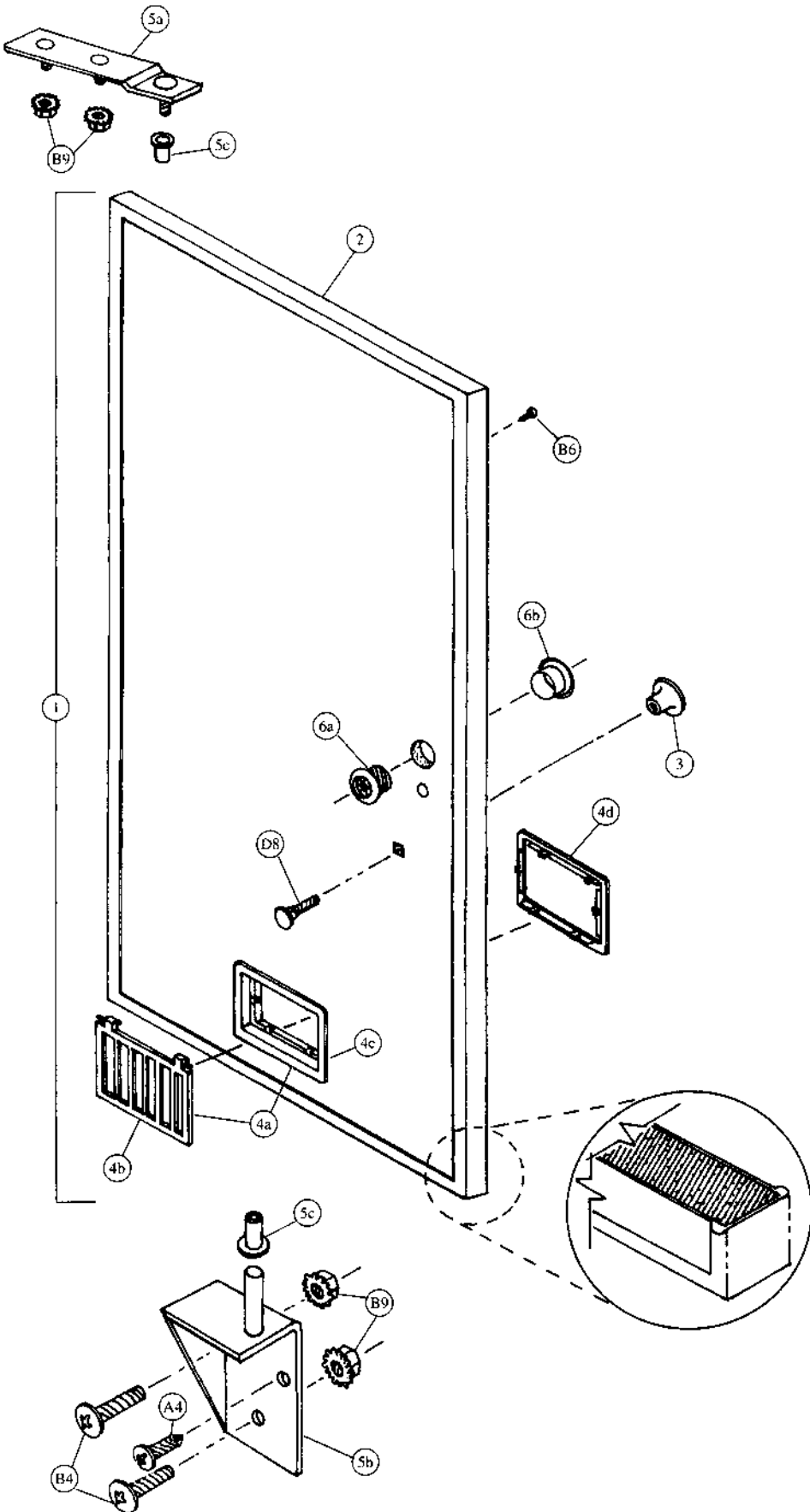
Lighting - Coke (Landscape)

Item	Part Number	Part Name And Description
High-Output Lighting		
1	804,700,360.01	Fluorescent Bulb - F72T12/D/HO
2a	432,050,380.63	Door Bracket Lamp Socket
2b	804,901,990.01	Top Lamp Holders - 523
2c	804,902,000.01	Bottom Lamp Holders - 524
3	804,400,380.01	Plug-In Ballast, Advance #VSM/HO
4	904,800,520.01	Connector, Electrical (not shown) (scotchlock 557)
5	904,600,710.01	2-Way Plug
6	904,600,670.01	9-Way Plug
7	904,600,660.01	9-Way Cap
8	804,904,510.21	Plug-In Ballast Harness, High Output
9	804,904,920.11	Lamp Fixture Jumper, High Output

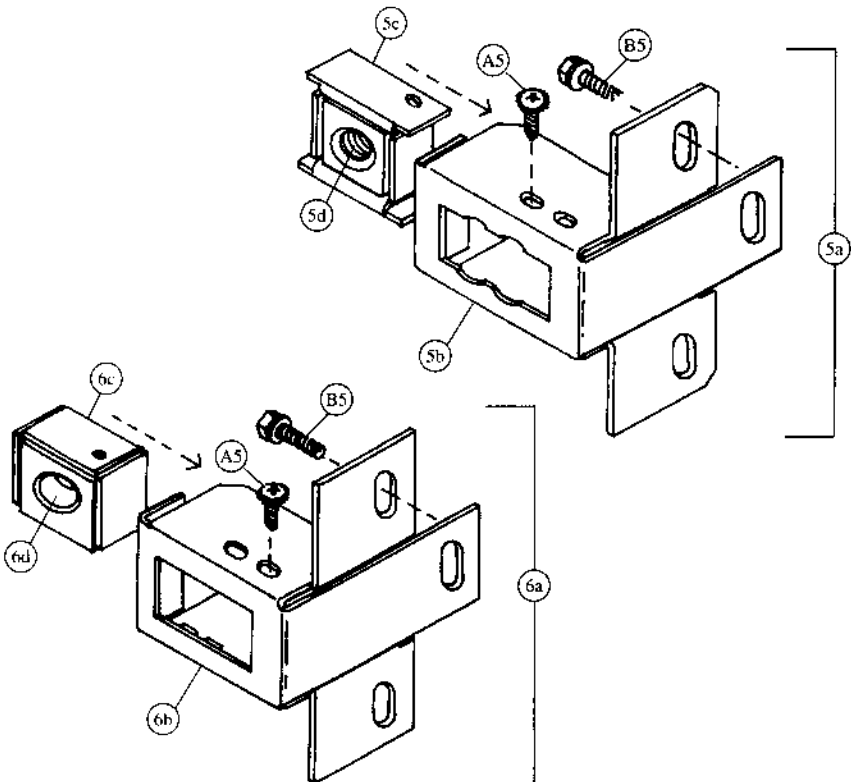
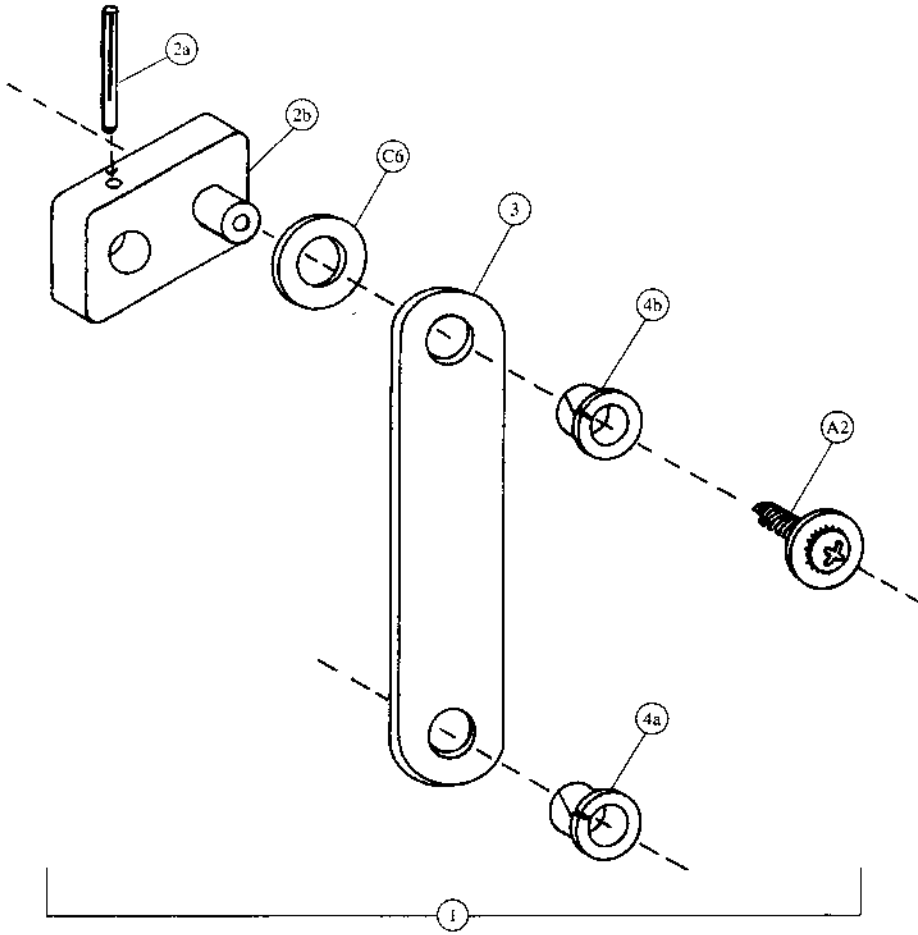
Slimline Lighting		
1	804,700,310.01	Fluorescent Bulb - F72T12/DAYLT
2a	432,050,380.63	Door Bracket Lamp Socket
2b	804,902,020.01	Top Lamp Holders - 516
2c	804,902,030.01	Bottom Lamp Holders - 517
3	804,400,370.11	Plug-In Ballast - Advance Slimline
4	904,800,520.01	Connector, Electrical (not shown) (scotchlock 557)
5	904,600,710.01	2-Way Plug
6	904,600,670.01	9-Way Plug
7	904,600,660.01	9-Way Cap
8	804,904,600.61	Plug-In Ballast Harness, Slimline

A1	900,301,700.01	Sheet Metal Screw #6 - 32 x 3/8 (4)
----	----------------	-------------------------------------

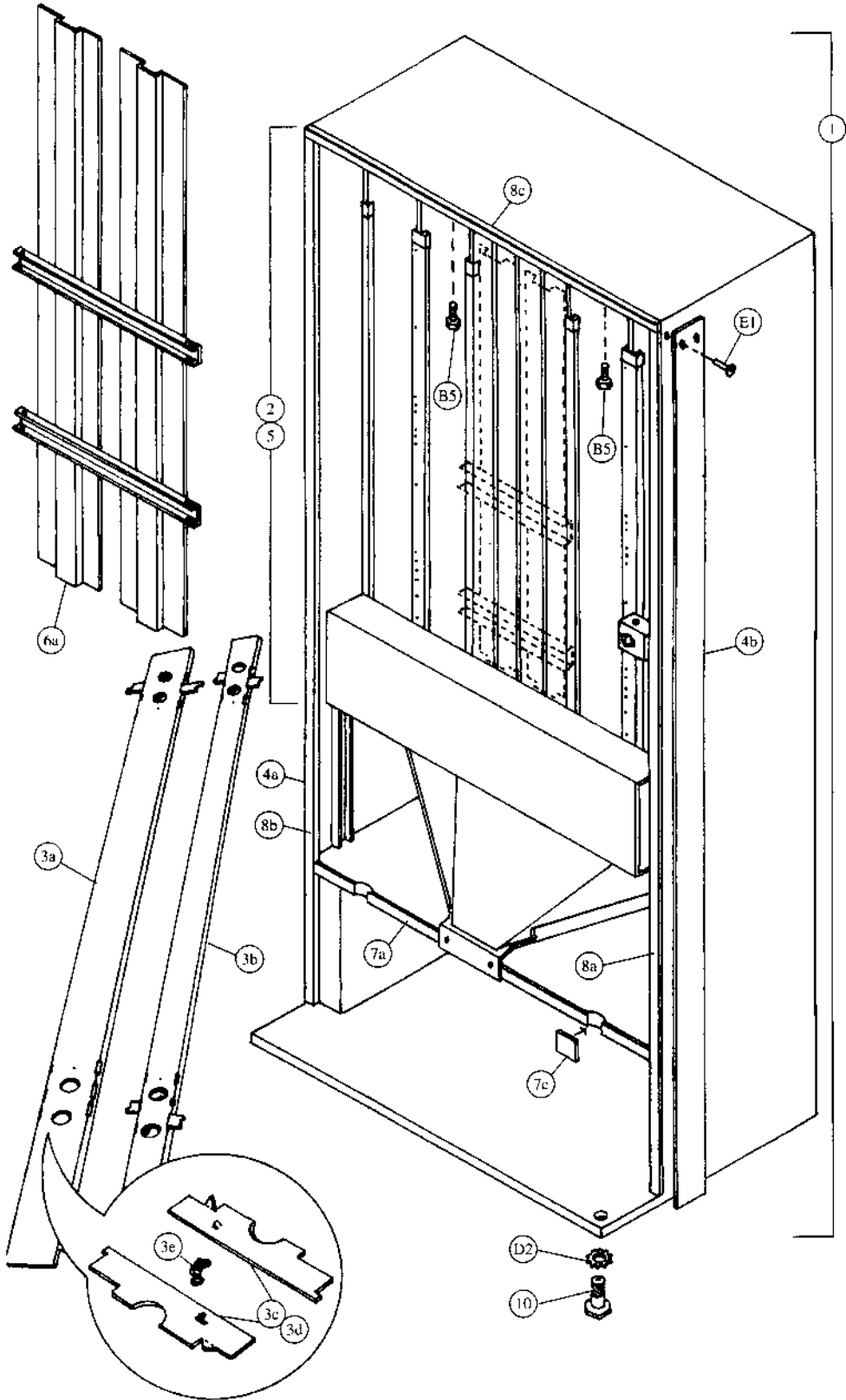
Inner Door - Coke (Landscape)



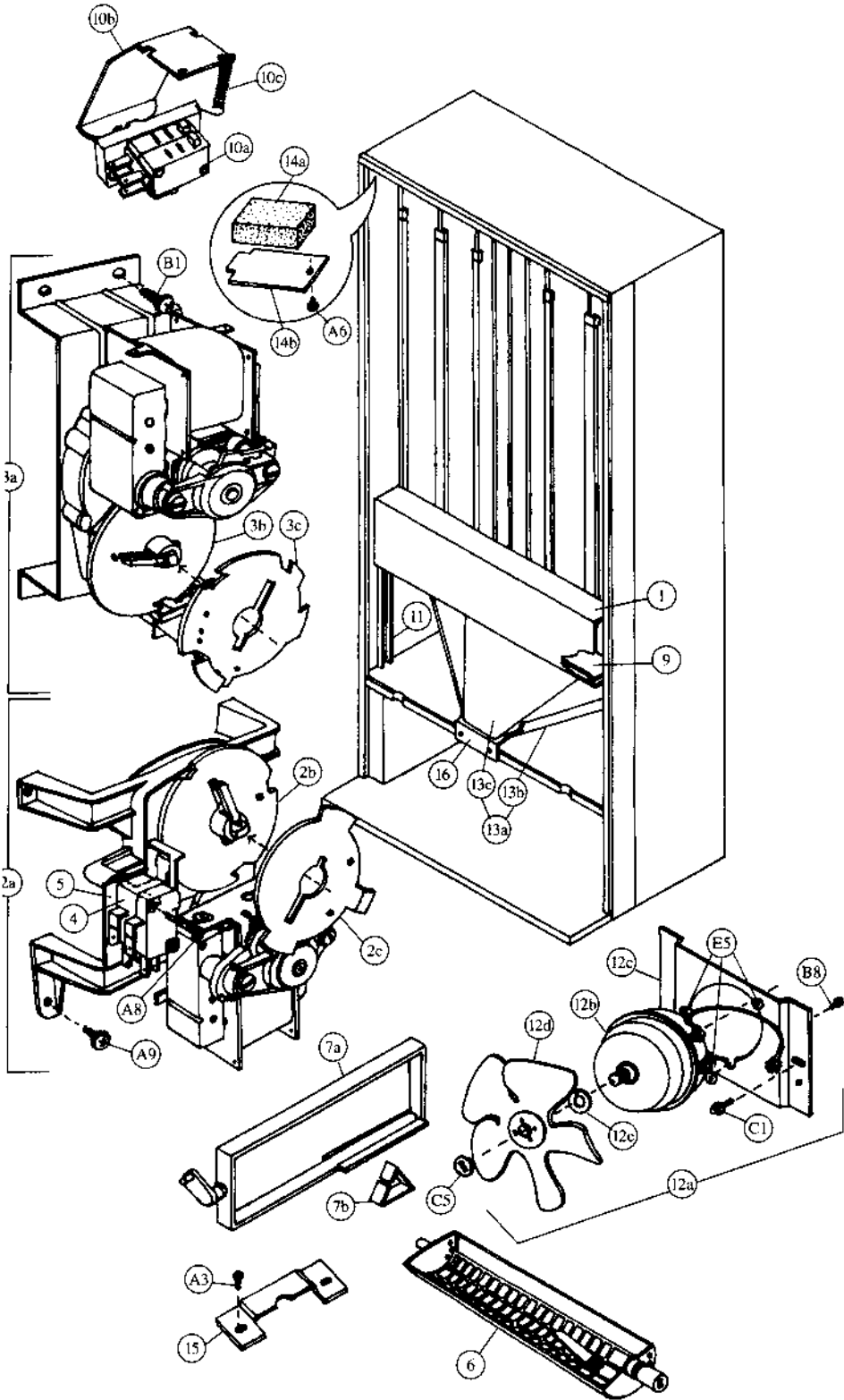
Two-Bar Linkage & Nut Retainer Housing - Coke (Landscape)



Cabinet Interior - Coke (Landscape)



Cabinet & Vend Mechanism - Coke (Landscape)

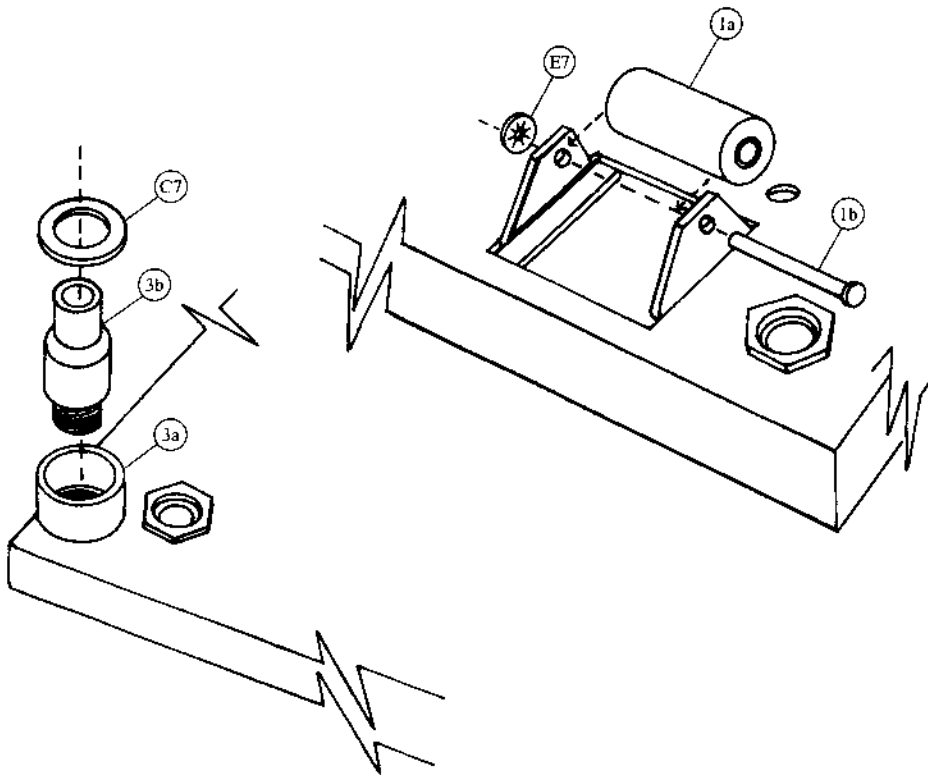
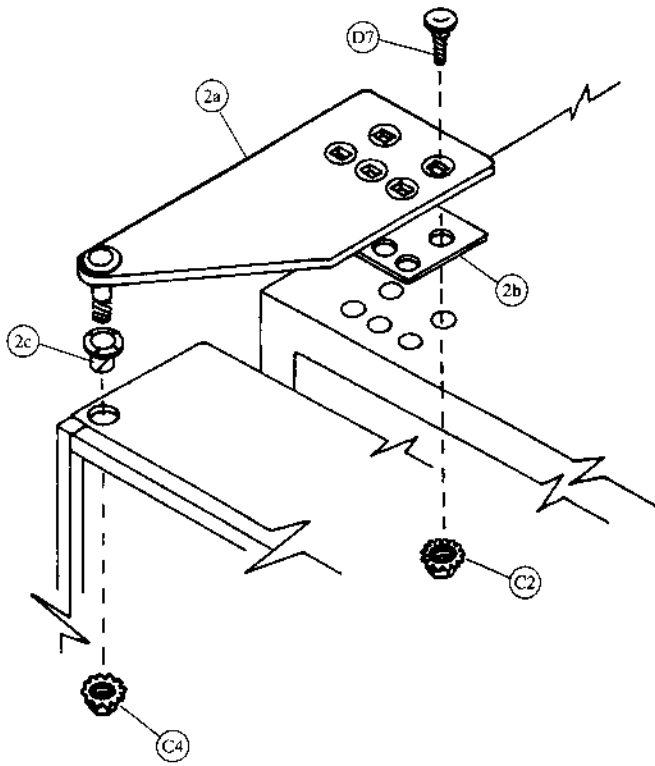


Cabinet & Vend Mechanism - Coke (Landscape)

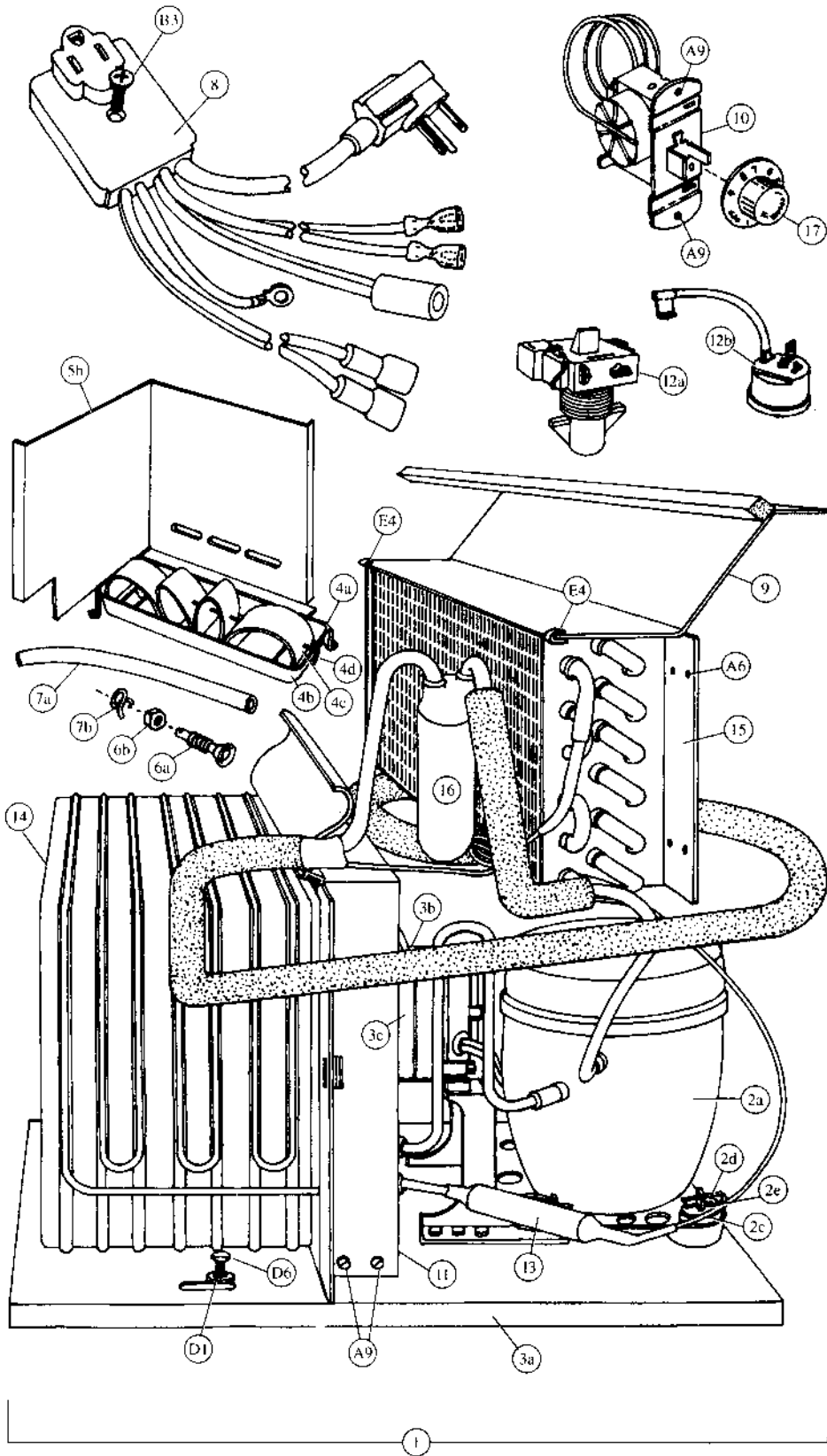
Item	Part Number	Part Name And Description
1	491,070,050.33	Vend Motor Cover, Wide
	491,071,200.23	Vend Motor Cover, Wide - IEC Standard
2a	See list below	Vend Motor Assembly, Wide
	497,070,800.03	Single Price
	497,170,100.03	Two/Four Price
2b	801,806,410.01	Vend Cam, Green
2c	801,806,400.11	Adjustable Cam, Gold
3a	See list below	Vend Motor Assembly, Narrow (501 only)
	497,070,900.03	Single Price
	497,170,200.03	Two/Four Price
3b	801,806,180.21	Vend Cam, Brown (501 only)
3c	801,806,610.21	Adjustable Cam, Brown (501 only)
4	See list below	Vend Motor Switch
	804,100,600.01	Single Price (Double Switch)
	804,100,690.01	Single Price - IEC Standard (Double Switch)
	804,100,700.01	Two/Four Price - IEC Standard (Triple Switch)
5	905,800,330.11	Vend Motor Switch Insulator
6	801,201,220.01 (A)	Vend Rotor - Narrow Column
	801,201,230.01 (B)	Triple Depth Can Rotor - Narrow Column
7a	801,201,020.11	Vend Oscillator - Wide Column
7b	901,700,650.31	Can Retainer Oscillator
8a	801,803,170.21	Nyliner, Rear (not shown)
8b	901,804,230.01	Nyliner, Front - Wide Column only (not shown)
9	267,070,370.43	Wire Shield
10a	804,100,610.01	Sold Out Switch Assembly
	804,100,680.01	Sold Out Switch Assembly - IEC Standard
10b	432,070,190.13	Sold Out Paddle
10c	901,700,740.01	Sold Out Paddle Spring
11	497,070,010.33	Mechanism Support
12a	See list below	Evaporator Fan Motor Assembly
	491,000,200.03	115v
	491,140,400.03	220-240v
12b	See list below	Evaporator Fan Motor
	804,500,590.01	115v
	804,500,520.01	220-240v
12c	164,040,080.73	Evaporator Fan Motor Bracket
12d	801,303,270.11	Evaporator Fan Blade
12e	902,100,290.01	Silencer
13a	497,071,300.03	Can Chute Assembly (includes 13b & 13c)
13b	324,000,010.93	Can Chute
13c	324,000,020.53	Chute Liner (Kydex)
14a	903,300,770.01	Foam Block
14b	169,000,130.03	Hinge Pocket Cover
15	176,072,110.13	Journal
16	172,070,530.03	Support, Can/Bottle Chute

C1	900,901,510.02	Screw, Phil Pan Tapping
A3	900,301,830.01	Sems Screw #10 - 32 x 3/8 (8)
A6	900,600,230.02	Sheet Metal Screw, Type "A"
B8	900,301,690.01	Hex Tap Screw #8 - 32 x 3/8 (3)
A8	900,301,820.01	Vend Motor Screw #4 x 1 1/16 - Double Switch (16)
	900,301,610.01	Vend Motor Screw #4 x 1 1/2 - Triple Switch
A9	900,301,560.01	Sems Screw #8 - 32 x 3/8 (28)
E5	900,401,090.01	Grommet, Black Rubber #97 (3)
C5	900,800,850.01	Speed Nut
B1	900,301,850.01	Sems Screw #8 - 32 x 5/8

Hinges and Rollers - Coke (Landscape)



Refrigeration - Coke (Landscape)



Refrigeration System - Coke (Landscape)

Item	Part Number	Part Name And Description
1	Provide information listed	Complete Refrigeration System: Indicate unit model number from serial plate on unit base plate, refrigerant, voltage/hertz and country.
2a	Provide information listed	Compressor S 1/2 HP: Indicate compressor manufacturer, voltage/hertz, refrigerant and complete manufacturer's model number.
2b	See list below	Compressor Lead Harness (not shown)
	904,900,611.01	All, except IEC Standard
	804,905,320.01	220-240v/50hz, IEC Standard
2c	902,000,570.01	Compressor Mounting Grommet
2d	900,901,880.01	Compressor Mounting Retainer Clip
2e	901,803,910.01	Compressor Grommet Plug, Plastic
3a	497,020,060.03	Condenser Base Plate
3b	See list below	Condenser Fan Motor Assembly
	491,040,200.03	115v
	491,140,300.03	220-240v
3c	See list below	Condenser Fan Motor
	804,500,670.01	115v
	804,500,700.01	220-240v
3d	800,103,370.02	Fan Blade (not shown)
4a	491,000,100.03	Drain Pan Assembly
4b	801,303,670.01	Drain Pan
4c	901,900,020.01	Soaker (8 required)
4d	901,400,060.11	Soaker Rod
5a	491,040,050.73	Condenser Baffle, Right Side (not shown)
5b	497,040,060.13	Condenser Baffle, Rear
6a	801,806,050.11	Drain Tube
6b	900,301,790.01	Drain Tube Nut
7a	901,900,500.01	Drain Hose
7b	900,901,030.01	Drain Hose Clamp
8	See listing below	Main Wiring Harness
	804,902,220.01 (a)	United States
	804,905,480.01 (b)	Australia, IEC 335 (not shown)
	804,905,490.01 (c)	United Kingdom, IEC 335 (not shown)
	804,902,160.21 (d)	Europe (not shown)
	804,903,160.01 (e)	Mexico (not shown)
	804,905,450.01 (f)	Italy (not shown)
	804,905,470.01 (g)	Danish, IEC 335 (not shown)
804,905,360.01 (h)	Germany, with Splashwater Protector (not shown)	
9	236,040,010.53	Top Fan Housing, Long
	211,040,030.13	Top Fan Housing, Short
10	802,800,410.01	Temperature Control
11	491,040,110.43	Fan Shroud Condenser
12a	Provide information listed	Relay: Indicate compressor manufacturer, model # and voltage/hz
12b	Provide information listed	Overload: Indicate compressor manufacturer, model # and voltage/hz
13	802,401,230.01	Dryer
14	802,600,540.01	Condenser
15	802,600,500.01	Evaporator, Long
	802,600,370.51	Evaporator, Short
16	802,400,460.01	Accumulator
17	802,800,420.01	Knob, Temperature Control
A6	900,600,230.02	Sheet Metal Screw, Type "A" (not shown) (2)
A9	900,301,560.01	Sems Screw #8 - 32 x 3/4 (8)
B3	900,301,810.01	Screw, #10 - 32 x 1 1/2
D1	900,700,360.01	Lockwasher, 3/8" (2)
E4	900,901,890.01	Tinnerman Clip (2)
D6	900,400,440.01	Refrigeration Bolt 3/8 - 16 x 1 (2)

Signs and Decals - Coke (Landscape)



①



④

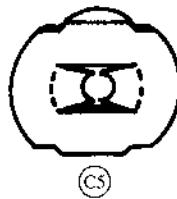
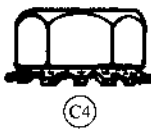
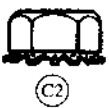


②



⑤

Screws & Nuts - Coke (Landscape)



Washers, Bolts & Misc. - Coke (Landscape)

